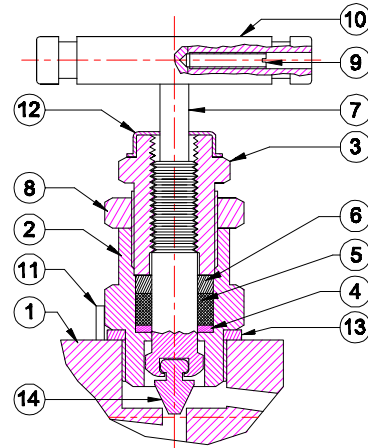


VIEW - 'BB'



BONNET ASSEMBLY

14	NON ROTATING VEE TIP	3	A564-630
13	WASHER	3	A479-316
12	DUST CAP	3	PLASTIC LD.
11	LOCK PIN	3	A479-316
10	HANDLE	3	A479-316
9	GRUB SCREW	3	STEEL
8	LOCK NUT	3	A479-316
7	SPINDLE	3	A479-316
6	PACKING WASHER	3	A479-316
5	PACKING	3	PTFE/GRAFOIL
4	WASHER	3	A479-316
3	GLAND RETAINER	3	A479-316
2	BONNET	3	A479-316
1	BODY	1	A479-316
S.NO.	DESCRIPTION	QTY.	MATERIAL

MATERIAL OF CONSTRUCTIONS

PIONEER INDUSTRIES

3 VALVE MANIFOLD T-TYPE PIPE TO FLANGE CONNECTION DESIGN FOR CONNECTING SYSTEM IMPULSE LINES AND TRANSMITTERS. THIS MANIFOLD CONSISTS TO 1/2" NPT FEMALE CONNECTIONS ON 54mm.(2-1/8") CENTERS AND OF ONE EQUALIZER VALVE AND TWO BLOCK VALVES. 1/4" NPT PURGE CONNECTIONS ARE OPTIONAL.

FEATURES :

316 S.S. BODY CONSTRUCTION FOR SUPERIOR CORROSION RESISTANCE. NON ROTATING VEE TIP PREVENTS GALLING & PROMOTES REPETITIVE SHUT-OFF. OPTIONAL GRAPHOIL PACKING MATERIAL IS AVAILABLE FOR HIGH TEMP. RATING 1000°F @6000 PSI

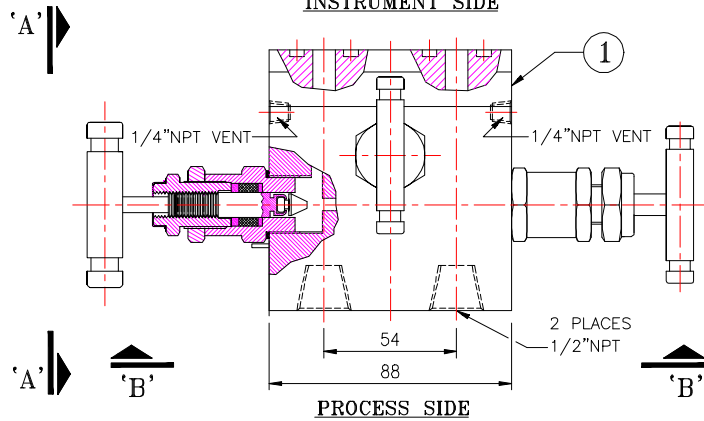
TESTING:

PNEUMATIC TEST:- EACH VALVE IS TESTED WITH NITROGEN AT 100 Psi IN ACCORDANCE WITH MSS-SP-61 FOR SEAT & PACKING LEAKAGE.

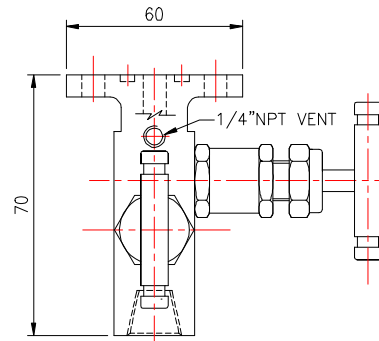
HYDRO TEST:- PERFORMED WITH PURE WATER IN ACCORDANCE WITH MSS-SP-61. BODY TESTED AT 1.5 TIMES & SEAT LEAKAGE TESTED AT 1.1 TIMES OF THE WORKING PRESSURE

DESIGN STANDARD :

PRESSURE & TEMPERATURE RATING ARE SELECTED FROM ANSI B16.34 STANDARD CLASS VALVES BASED ON ANSI B16-CLASS 2500 OPTIONAL SOUR GAS SERVICE CONFIRMS TO NACE STD. MR-01-75



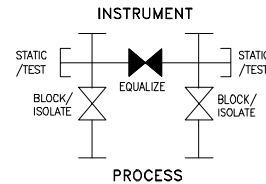
PLAN



VIEW - 'AA'

TECHNICAL DATA					
Seat	Pr. Rat.	Temp.Rat.		Cv	Orifice
METAL SEAT	6000 PSI (41300 kpa)	PTFE -20 to 250° F (-29° to 121°C)	GRAFOIL -20 to 600° F (-29° to 315°C)	0.52 max.	4.8 mm.

NOTE:-1) DIMENSIONS ARE IN MM.FOR REFERENCE ONLY,SUBJECT TO CHANGE.
2) APPROXIMATE WEIGHT= 1.8 KGS. (3.98 LBS)



REV.	DESCRIPTION	BY	DATE
REVISION			
TITLE: - 3-VALVE MANIFOLD (PIPE TO FLANGE)			
DRN.		SCALE - NTS.	
CHD.	RJS	DATE - 02/01/2010	
APPD.		DRG.NO.: 3VM-SS-8-T	RO
PIONEER INDUSTRIES			
ISO 9001 -02008			