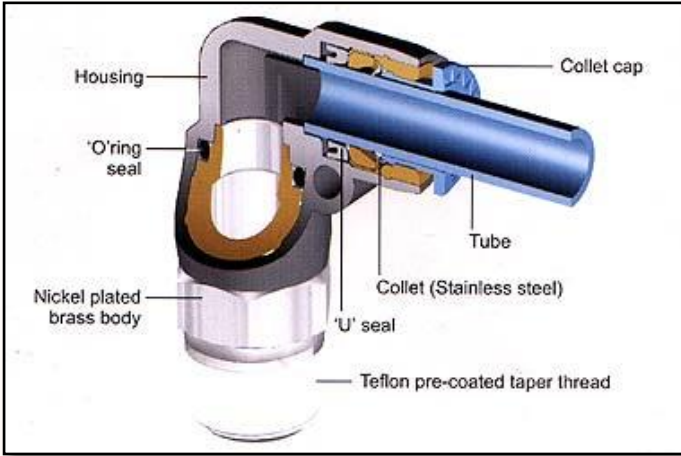


PUSH-TO-LOCK Instant Pushing Type Pneumatic Fittings



[Click here for Details](#)

Quickest and Easiest Assembly and Disassembly

To assemble tubing into the PUSH-TO-LOCK Fittings, just push the tubing into fitting upto the bottom and leakproof connection is made. Disassembly is achieved by pushing release collar. This disengages the gripper collet and allows the tubing to be pulled out. It's that simple. Push --- it's connected; push/pull --- it's disconnected.

No Tubing Twist

The gripper collet and tubing are free to rotate within the fitting body. If the tube is rotated, it will not twist or weaken.

Swing Clearance Problems Eliminated

Elbows and tees are available with an integral swivel at the male pipe end. This allows the pipe thread to be tightened without rotating the elbow or tee. It also permits the pipe thread to be tightened without worry about where the other end of the fitting will point, as it can be rotated into position after the pipe thread is tight.

Material of Construction

Body : Brass
Collet : Spring Steel [S.S.]
Seal : Nitrile Rubber / Viton for higher temperature.
Teflon pre-coated male taper threads

Working Pressure and Temperature Ranges

Zero to 60°C at up to 10 Bar. Vacuum applications are dependent upon temperature and type of tubing being used.

Application

1. Compressed air lines on pneumatic circuits in any industry.
2. Fuel lines in Automobile industry.
3. Centralised lubrication systems.
4. For conveying any gas or liquid.

Recommended Tubing

Suitable tubing material : Nylon 6, Nylon 11, Polyethylene, Polyurethane.
Recommended Tolerance on O.D. of tube. ± 0.1 mm.

Assembly Instructions

Cut Nylon, Polyurethane and Polyethylene tubing squarely using Pioneer **SQUARE CUT** tube cutter. Metal tubing should be cut squarely and be free of burrs. Insert end of tubing until it bottoms in fitting. Depressing the release button allows the tubing to be removed.

Ordering Information

To Order, simply specify catalogue number for configuration and size desired.

Example

6mm tube X 1/4" B.S.P. Male connection code No. P 2006

_____	Brand of fittings (Push-To-lock)
_____	Thread Size
_____	Type of fitting
_____	Pipe Size
P 2 0 06	

Sizes & Pipe Threads

Tube Sized : 4MM to 12MM
Thread Type : 1/8" to 1/2" B.S.P.
Metric fittings are also available.

Marketing and Technical Services

Wide Dealer network will assist you in selecting the most appropriate fittings and tubing for your application, and also make them available to you whenever your need arises. Ongoing Research and Development constantly striving to improve the product to meet more stringent conditions. (Hence product compositions and specifications may change periodically)

PUSH-TO-LOCK Instant Pushing Type Pneumatic Fittings

MALE STUD



Code	Tube Size in mm		Thread
	I.D.	O.D.	
P1004	2	4	1/8
P2004	2	4	1/4
P1006	4	6	1/8
P2006	4	6	1/4
P1008	6	8	1/8
P2008	6	8	1/4
P3008	6	8	3/8
P2010	8	10	1/4
P3010	8	10	3/8
P4010	8	10	1/2
P2012	10	12	1/4
P3012	10	12	3/8
P4012	10	12	1/2

STUD ELBOW



Code	Tube Size in mm		Thread
	I.D.	O.D.	
P1104	2	4	1/8
P2104	2	4	1/4
P1106	4	6	1/8
P2106	4	6	1/4
P1108	6	8	1/8
P2108	6	8	1/4
P3108	6	8	3/8
P2110	8	10	1/4
P3110	8	10	3/8
P4110	8	10	1/2
P2112	10	12	1/4
P3112	10	12	3/8
P4112	10	12	1/2

FEMALE STUD



Code	Tube Size in mm		Thread
	I.D.	O.D.	
P1804	2	4	1/8
P2804	2	4	1/4
P1806	4	6	1/8
P2806	4	6	1/4
P1808	6	8	1/8
P2808	6	8	1/4
P3808	6	8	3/8
P2810	8	10	1/4
P3810	8	10	3/8
P2812	10	12	1/4
P3812	10	12	3/8
P4812	10	12	1/2

MALE Y



Code	Tube Size in mm		Thread
	I.D.	O.D.	
P1704M	2	4	1/8
P2704M	2	4	1/4
P1706M	4	6	1/8
P2706M	4	6	1/4
P1708M	6	8	1/8
P2708M	6	8	1/4
P3708M	6	8	3/8
P2710M	8	10	1/4
P3710M	8	10	3/8
P2712M	10	12	1/4
P3712M	10	12	3/8
P4712M	10	12	1/2

STUD TEES



Male Branch Tee Male Run Tee

Branch Code	Run Code	Size in mm		Thread B.S.P.
		I.D.	O.D.	
P1304	P1204	2	4	1/8
P1306	P1206	4	6	1/8
P2306	P2206	4	6	1/4
P1308	P1208	6	8	1/8
P2308	P2208	6	8	1/4
P2310	P2210	8	10	1/4
P3310	P3210	8	10	3/8
P4310	P4201	8	10	1/2
P2312	P2212	10	12	1/4
P3312	P3212	10	12	3/8
P4312	P4212	10	12	1/2

FEMALE TEES



Female Branch Tee Female Run Tee

Branch Code	Run Code	Size in mm		Thread B.S.P.
		I.D.	O.D.	
P1506	P1406	4	6	1/8
P2506	P2406	4	6	1/4
P1508	P1408	6	8	1/8
P2508	P2408	6	8	1/4

FEMALE ELBOW



Code	Tube Size in mm		Thread
	I.D.	O.D.	
P1604	2	4	1/8
P2604	2	4	1/4
P1606	4	6	1/8
P2606	4	6	1/4
P1608	6	8	1/8
P2608	6	8	1/4
P3608	6	8	3/8
P2610	8	10	1/4
P3610	8	10	3/8
P2612	10	12	1/4
P3612	10	12	3/8
P4612	10	12	1/2

TUBE TO TUBE FITTINGS

COUPLER



Code	Tube Size in mm	
	I.D.	O.D.
P0004	2	4
P0006	4	6
P0008	6	8
P0010	8	10
P0012	10	12

ELBOW



Code	Tube Size in mm	
	I.D.	O.D.
P0104	2	4
P0106	4	6
P0108	6	8
P0110	8	10
P0112	10	12

TEE



Code	Tube Size in mm	
	I.D.	O.D.
P0204	2	4
P0206	4	6
P0208	6	8
P0210	8	10
P0212	10	12

CROSS



Code	Tube Size in mm	
	I.D.	O.D.
P0304	2	4
P0306	4	6
P0308	6	8
P0310	8	10
P0312	10	12

UNION Y



Code	Tube Size in mm	
	I.D.	O.D.
P0404	2	4
P0406	4	6
P0408	6	8
P0410	8	10
P0412	10	12

BULK HEAD



Code	Tube Size in mm	
	I.D.	O.D.
P0704	2	4
P0706	4	6
P0708	6	8
P0710	8	10
P0712	10	12