

METSCREEN

ARCHITECTURAL PRODUCTS

METAL LOUVERS
METAL CEILING
METAL FACADE

METSCREEN

Powered by



C&V Creation

+91 7777 9393 11

info@cvcreation.in

902, Silver Radiance 4, S.G. Highway, Opp.
Gujarat High Court, Nr. Agrawal Mall Gota,
Ahmedabad-382481.



WWW.CVCREATION.IN

Since 2019



C&V Creation



Suppliers of Quality, Innovation, And Service

We specialize in the design and production of premium aluminum & Galvanize Steel ceilings, Louvers, laser-engraved metal fences/facade tailored for architectural interior and exterior decoration.

As a professional enterprise, we integrate research and design, production, processing, sales, and service to deliver complete solutions that meet the highest standards of quality and innovation.

At the core of our service is a commitment to excellence through timely delivery, customer-centric solutions, and products built to last. Our dedicated team continuously invests in research and design, pushing the boundaries of innovation to create products that meet evolving architectural demands.

With a focus on your vision and satisfaction, we strive to deliver exceptional results from concept to completion.

- | | |
|--|---|
|  Corrosion Resistance |  Acoustic Property |
|  Fire Classification |  Humidity Resistance |
|  Easy Wash / Clean |  Anti Microbial |
|  Light Reflectance |  Green Building Material |



Smart Solutions For
Modern Spaces



About Company

C&V Creation Innovation runs deep at **Metscreen**. The company began with a commitment to excellence in architectural solutions, starting with a single product line. Today, **Metscreen** is a leader in premium aluminum & Galvanize Steel ceilings, Louvers, laser-engraved metal fences/ facade for both interior and exterior decoration in India and around the globe. **Metscreen** consistently stays at the forefront of technical advancements in the metal decoration industry. Our engineering team is relentless in its pursuit of Innovative, reliable, and durable products that stand the test of time. From inspiration to design, and from safety to durability, **Metscreen** dedicates substantial time and resources to research, development, and enhancing product diversity. Our goal is to bring forth innovative solutions that inspire homeowners, contractors, and architects alike. For our team, innovation isn't just a concept—it's a way of life.



Trust



Profession



Quality



Different



METSCREEN

01 Rectangular Ceiling Series

M-S1	CLIP-IN SYSTEM	6
M-S2	HOOK-ON SYSTEM	8
M-S3	LAY-IN SYSTEM	10
M-S5	C-CHANNEL SYSTEM	12



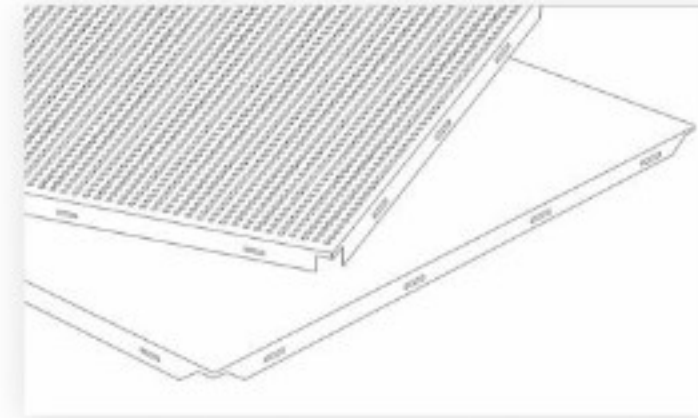
Where Innovation Meets
Durability In Design



METSCREEN M-S1 Clip-In System

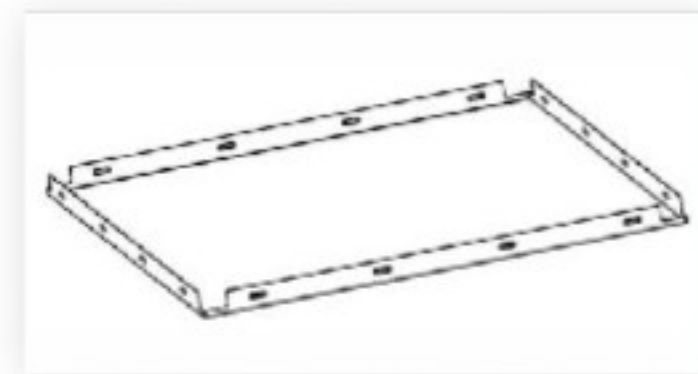
INTRODUCTION

M-S1 Clip-in system is a commonly used ceiling system features in hidden cables and metal plates. The closed ceiling system design shows the beauty of simplicity and consistency, moreover, the single ceiling tile can be disassembled at any time to facilitate future maintenance.



DIMENSION

Panel Size: Length ≤ 1200mm Width ≤ 600mm

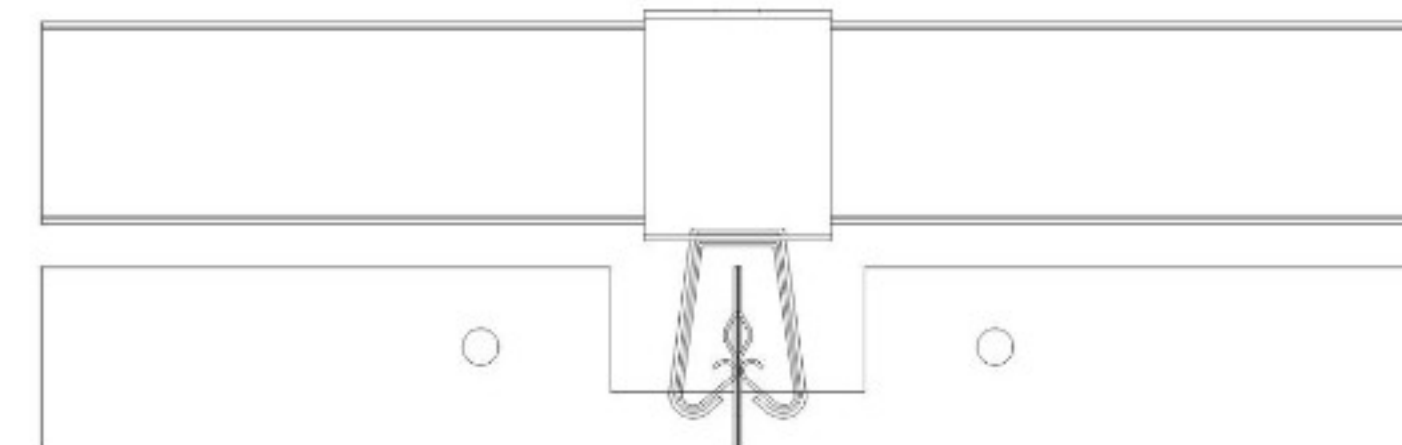
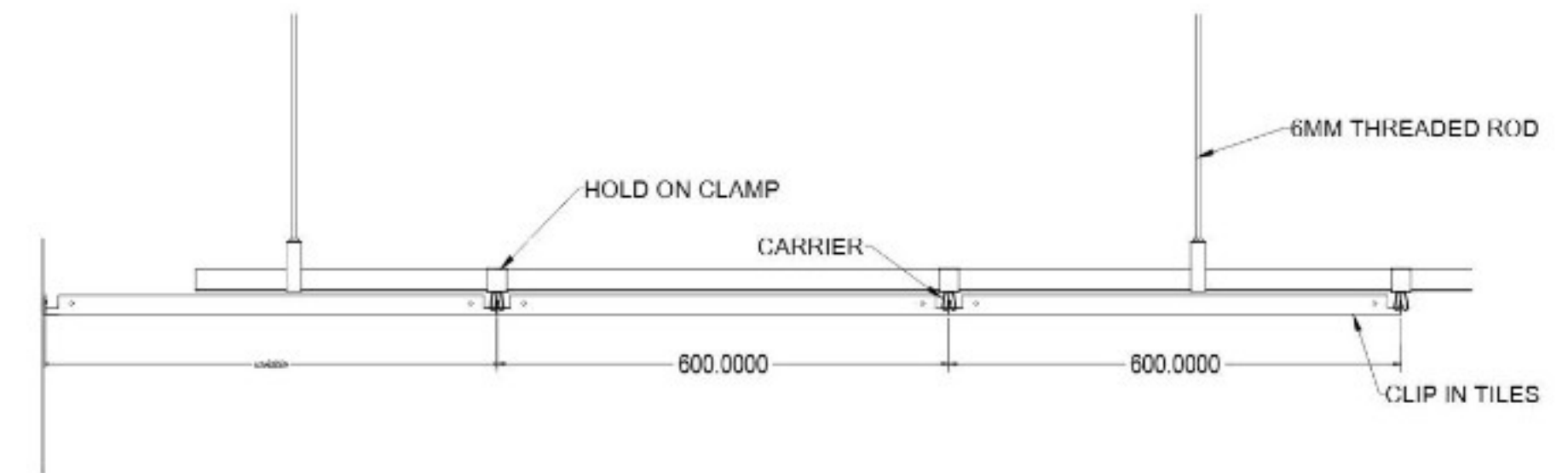
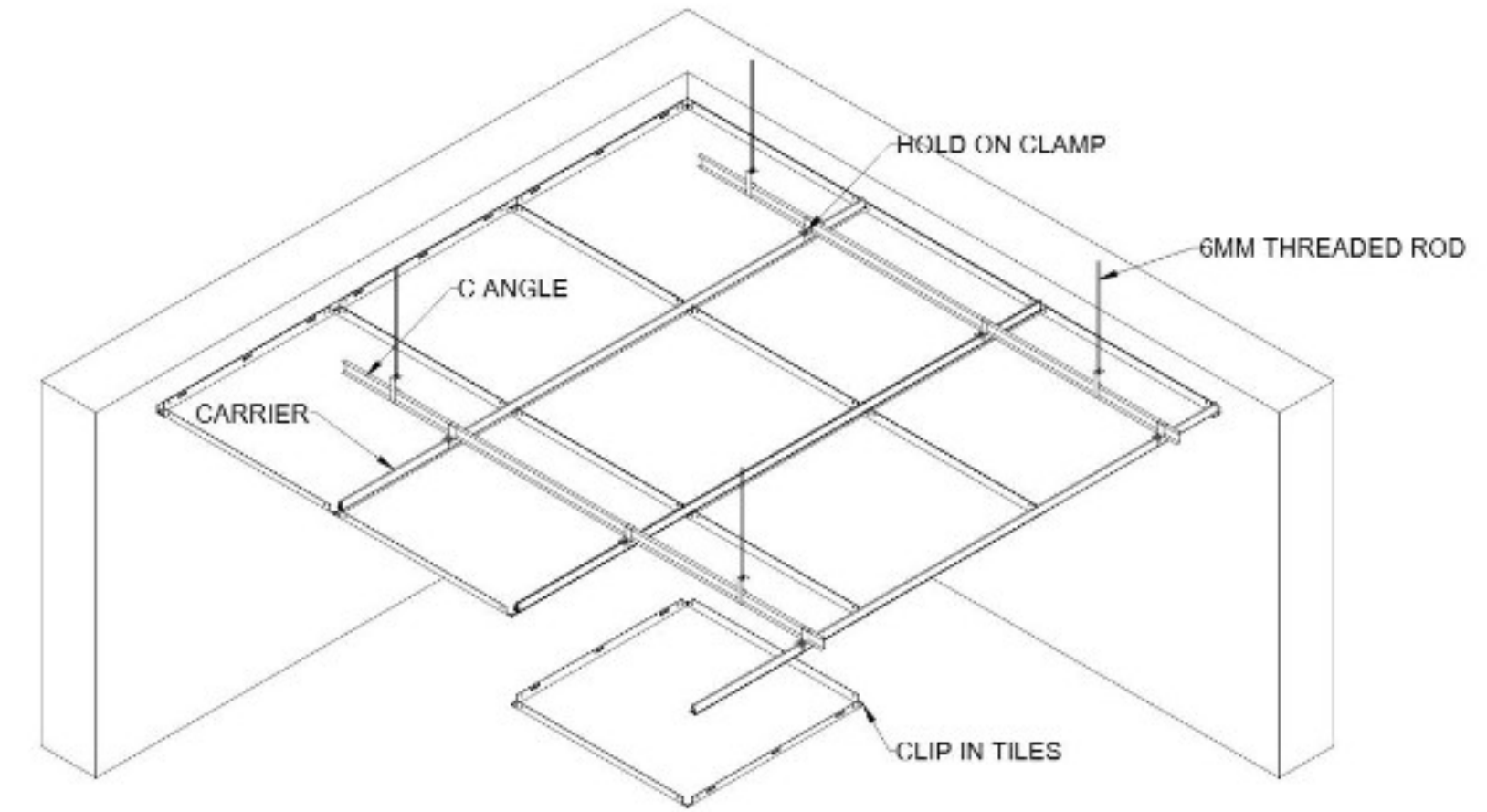


PERFORATION AND ACOUSTICS

To improve acoustic performance, sound-absorbing materials and mineral wool can be applied on the back of the perforated panels. Choose different perforation shapes and sizes according to customer needs, and also customize different sound-absorbing materials and their thicknesses



INSTALLATION DIAGRAM



METSCREEN

M-S2

Hook-On System

INTRODUCTION

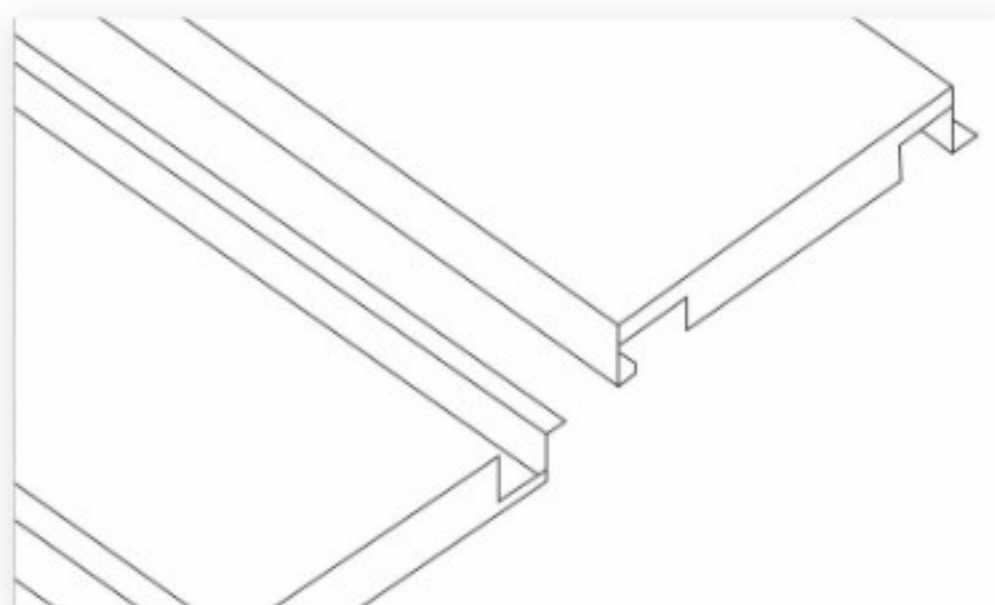
M-S2 hook-up ceiling system belongs to the concealed frame ceiling system. The Z-shaped keel connector is used for one-way parallel installation, with high surface flatness and strong sealing. All plumbing and other facilities on the ground floor can be hidden. The plate shape can be customized, with high degree of design freedom. It is simple and fashionable, and it is the best-selling system of Metscreen.

DIMENSION

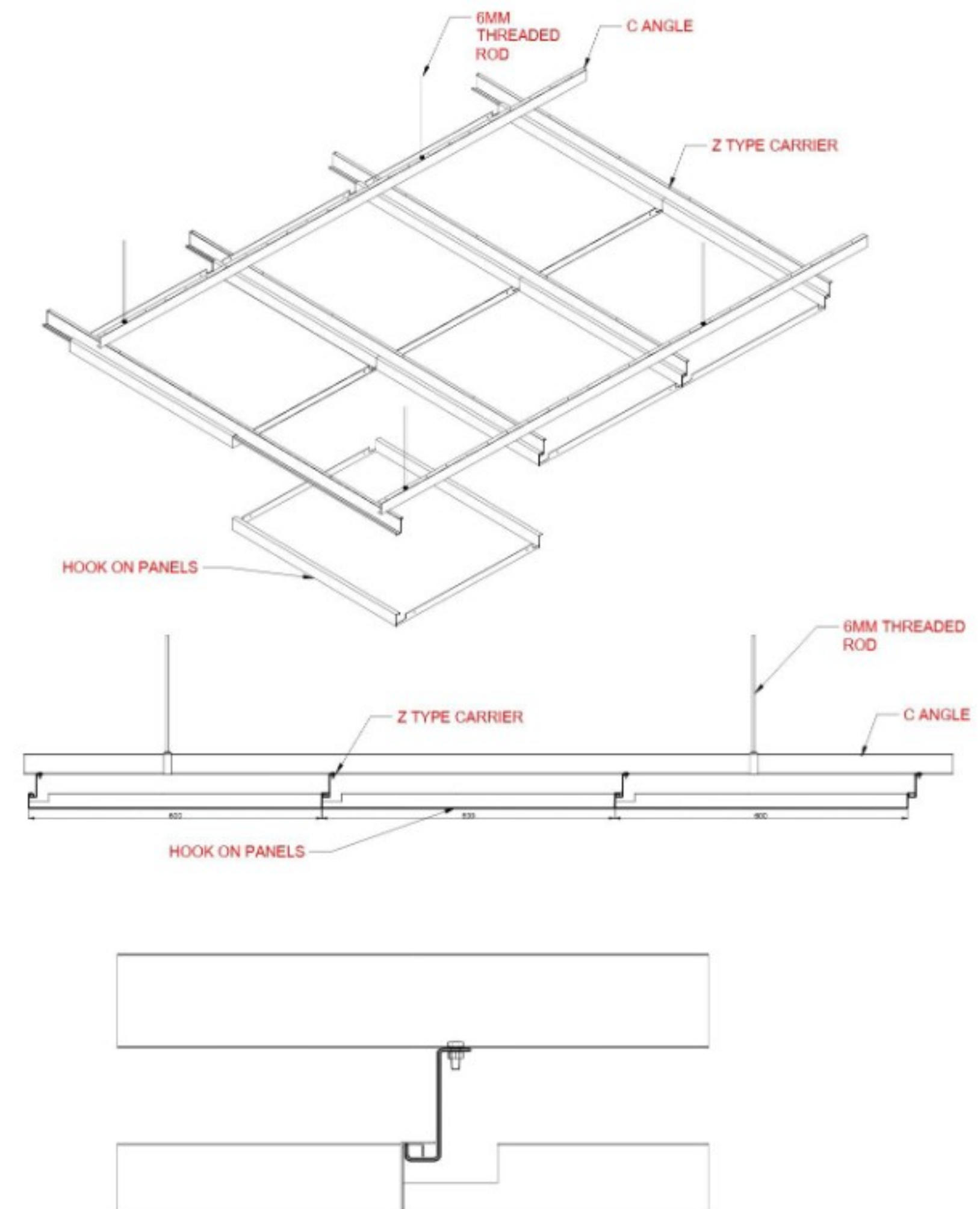
Panel Size: Length \leq 1200mm Width \leq 600mm

PERFORATION AND ACOUSTICS

To improve acoustic performance, sound-absorbing materials and mineral wool can be applied on the back of the perforated panels. Choose different perforation shapes and sizes according to customer needs, and also customize different sound-absorbing materials and their thicknesses



INSTALLATION DIAGRAM



C&V Creation

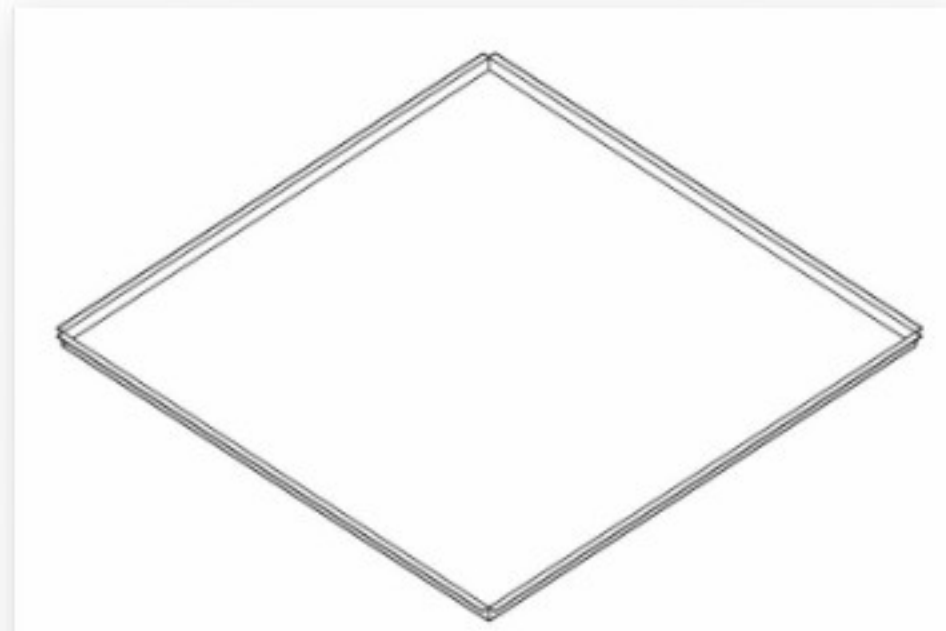
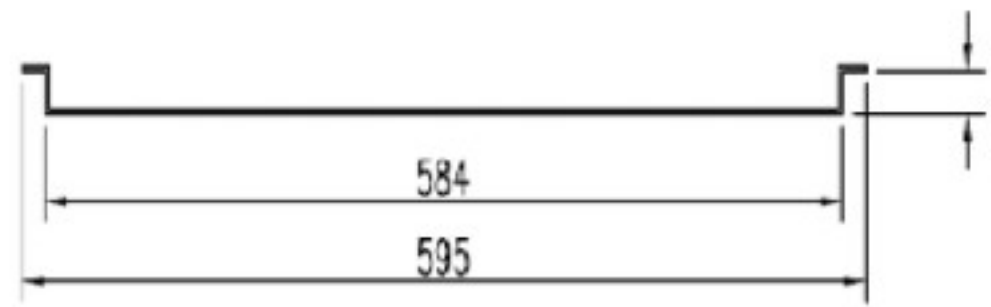
METSCREEN M-S3 Lay-In System

INTRODUCTION

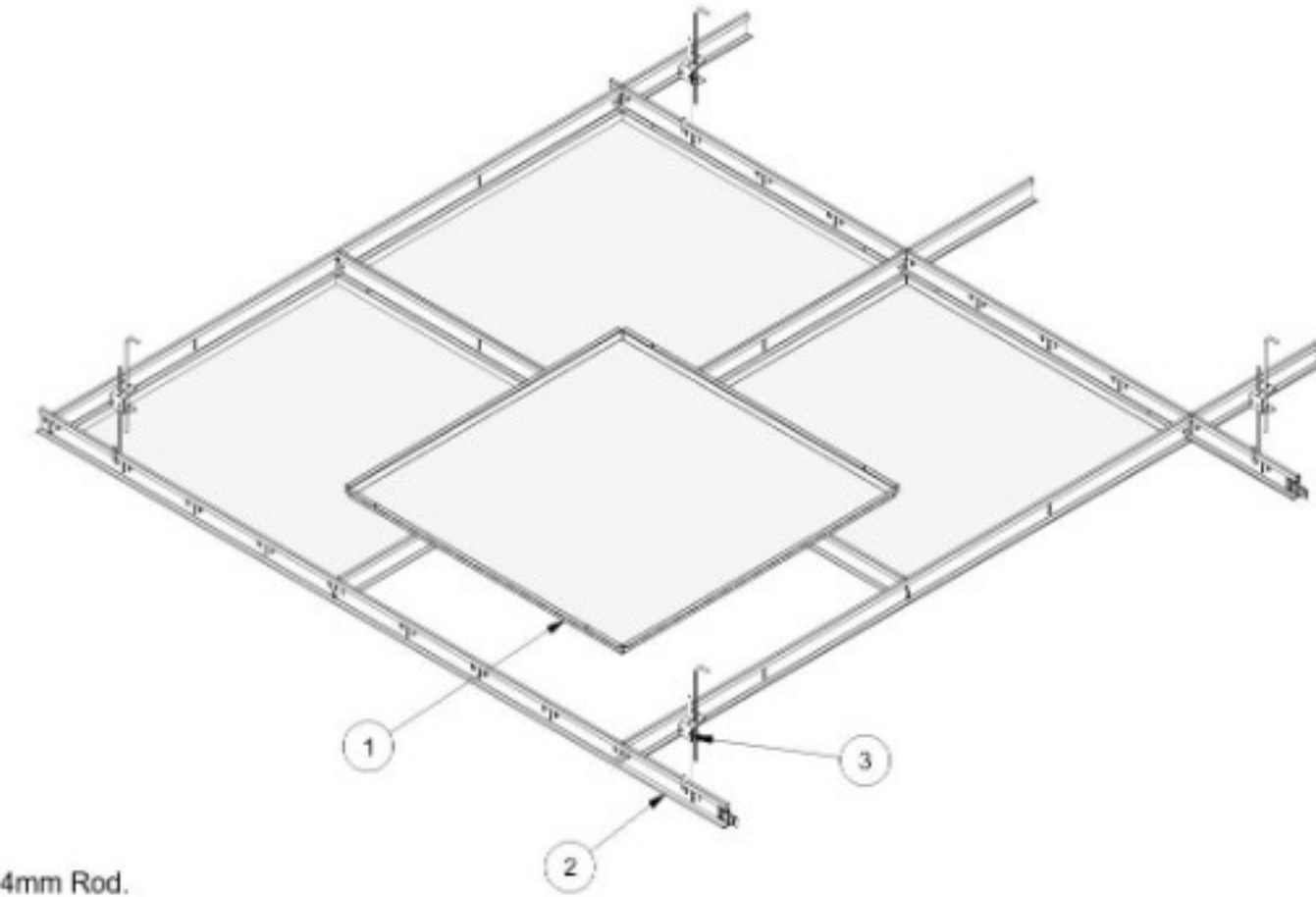
M-S4 Lay-In System ceiling tiles are designed to conveniently lay on classic T bars such as T15, T24, grids. The Metscreen lay-in tiles are so served to function for acoustic and Thermal insulation with different backing materials.

DIMENSION

Panel Size: Length: ≤ 1200mm Width: ≤ 600mm



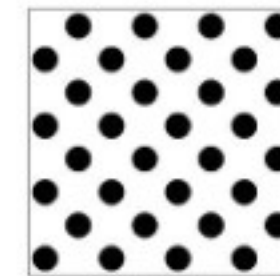
INSTALLATION DIAGRAM



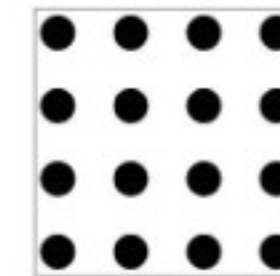
- 1 Lay-in tile
- 2 T-grid
- 3 Butter Fly Clip With 4mm Rod.



Perforation Details:-



∅ 1.8 mm
↑ 5 mm ↔ 5 mm
Open Area 20 %



∅ 2.5 mm
↑ 5,5 mm ↔ 5,5 mm
Open Area 16 %



C&V Creation

METSCREEN

02 Linear Baffle Ceiling Series

M-L1	O-BAFFLE SYSTEM	14
M-L2	EXTRUDED PROFILE SYSTEM	16
M-L3	U-BAFFLE SYSTEM	18



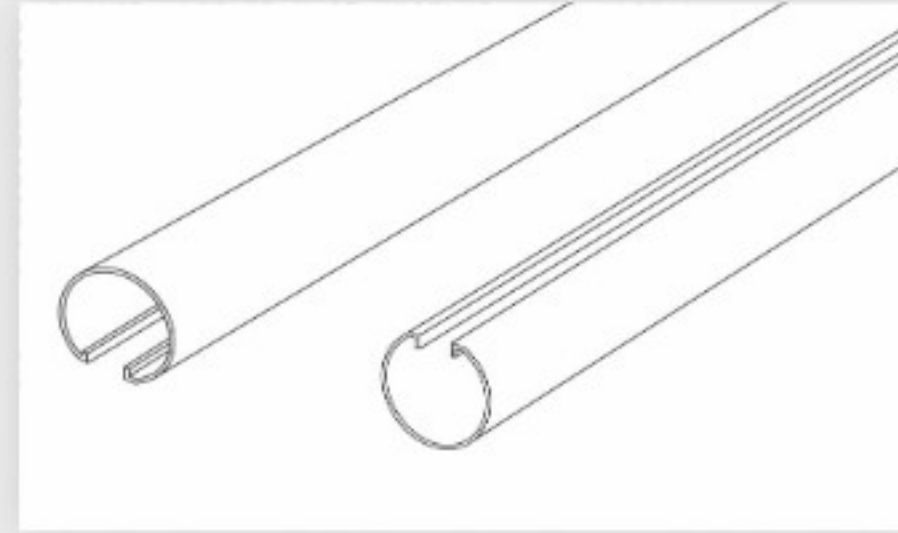
Metal Artistry For
Modern Architecture



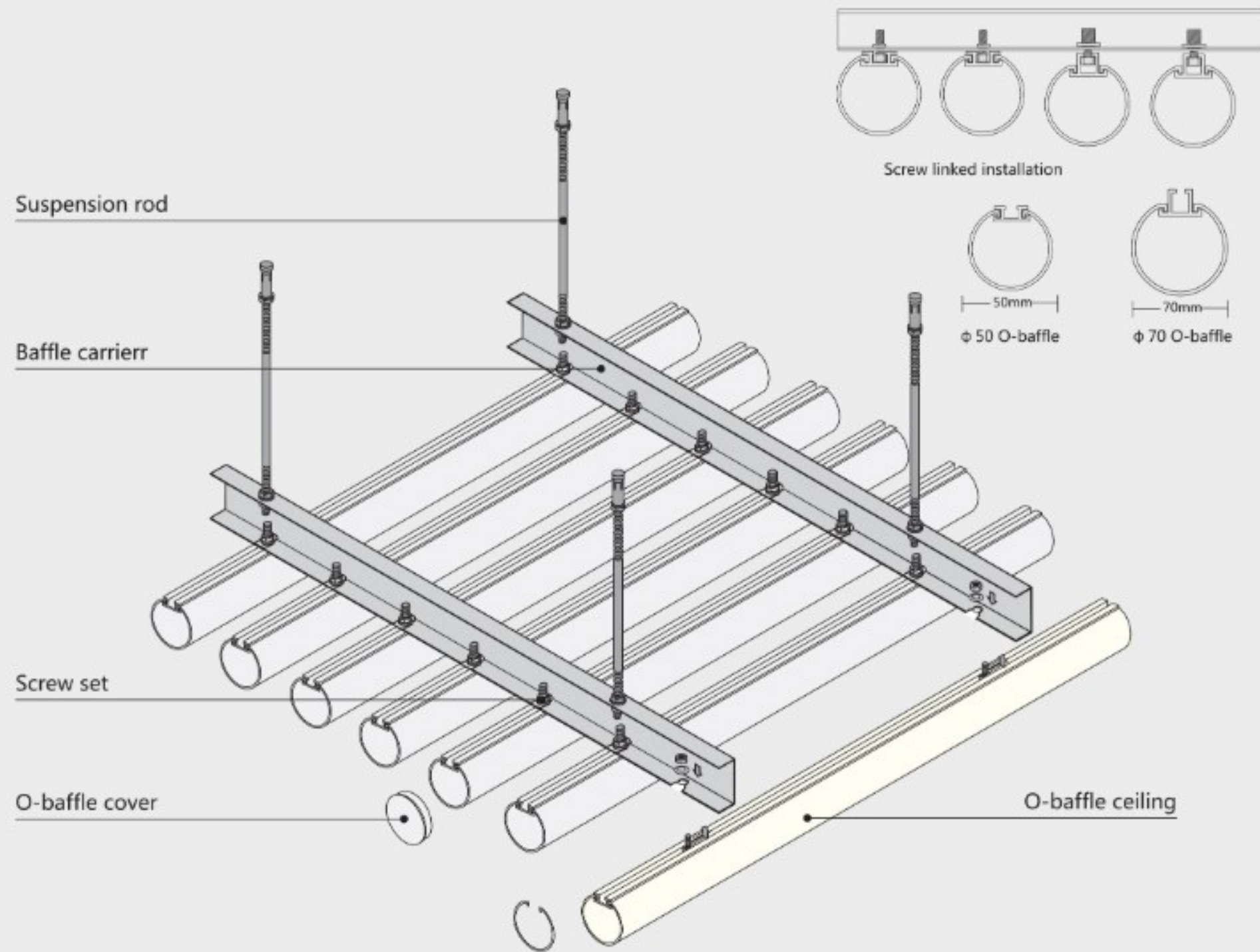
M-L1 O-Baffle System

INTRODUCTION

M-L1 o-baffle ceiling system is one of the most popular suspended ceilings. The aluminum o-baffle ceiling is light and forms an open and transparent structure. It is suitable for shopping malls, airports, transportation hubs, exhibition halls and other places with large flow of people and high ventilation requirements.



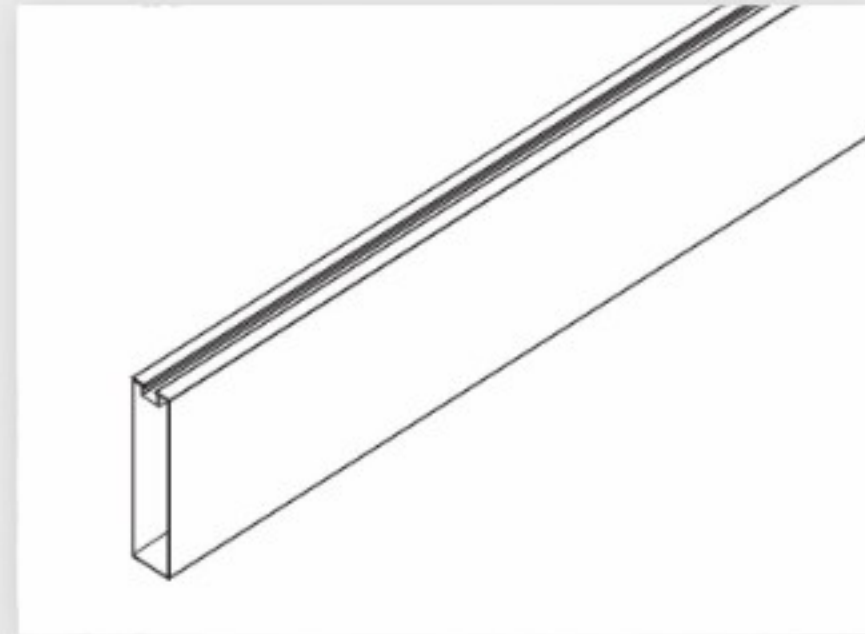
INSTALLATION DIAGRAM



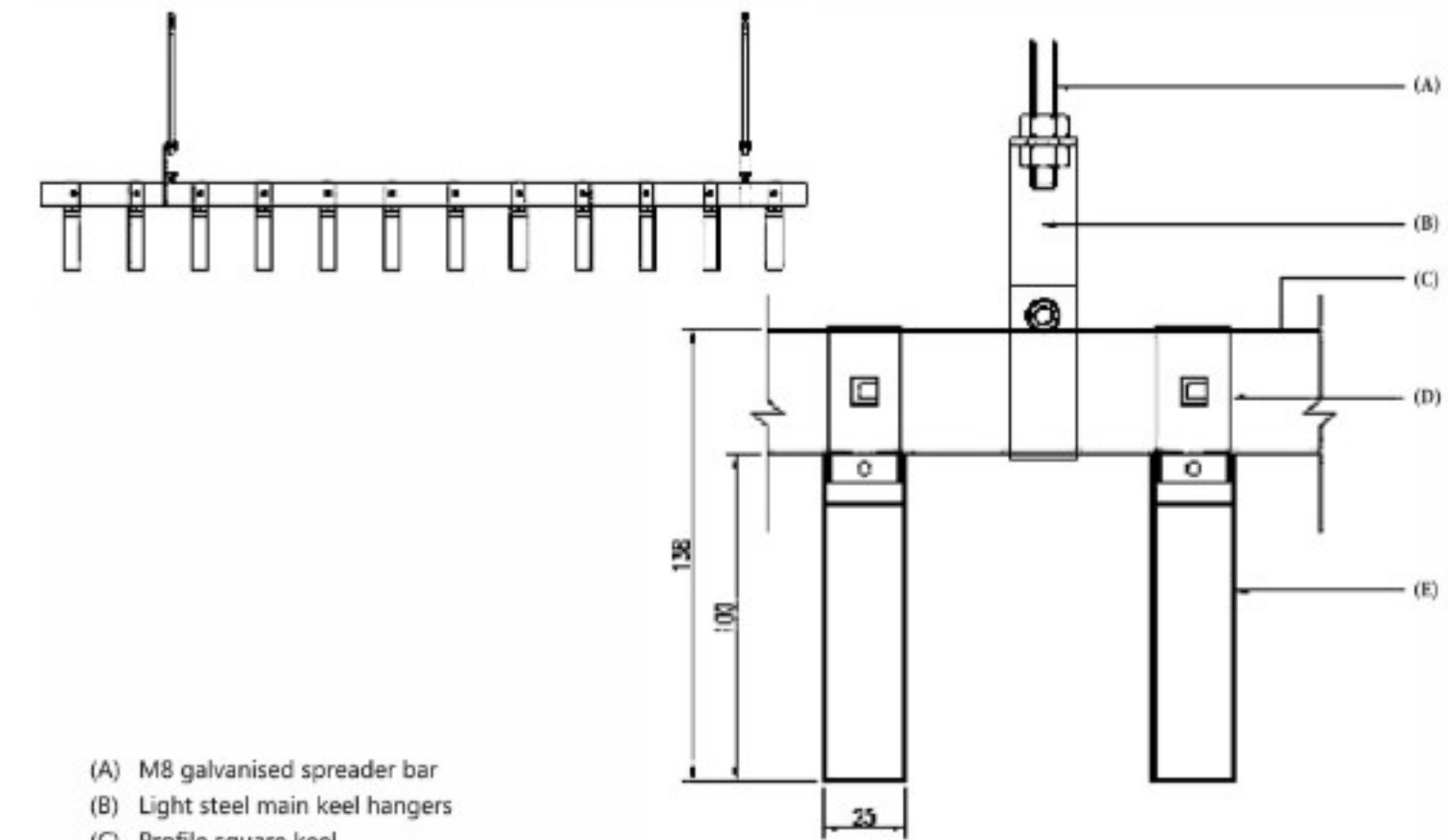
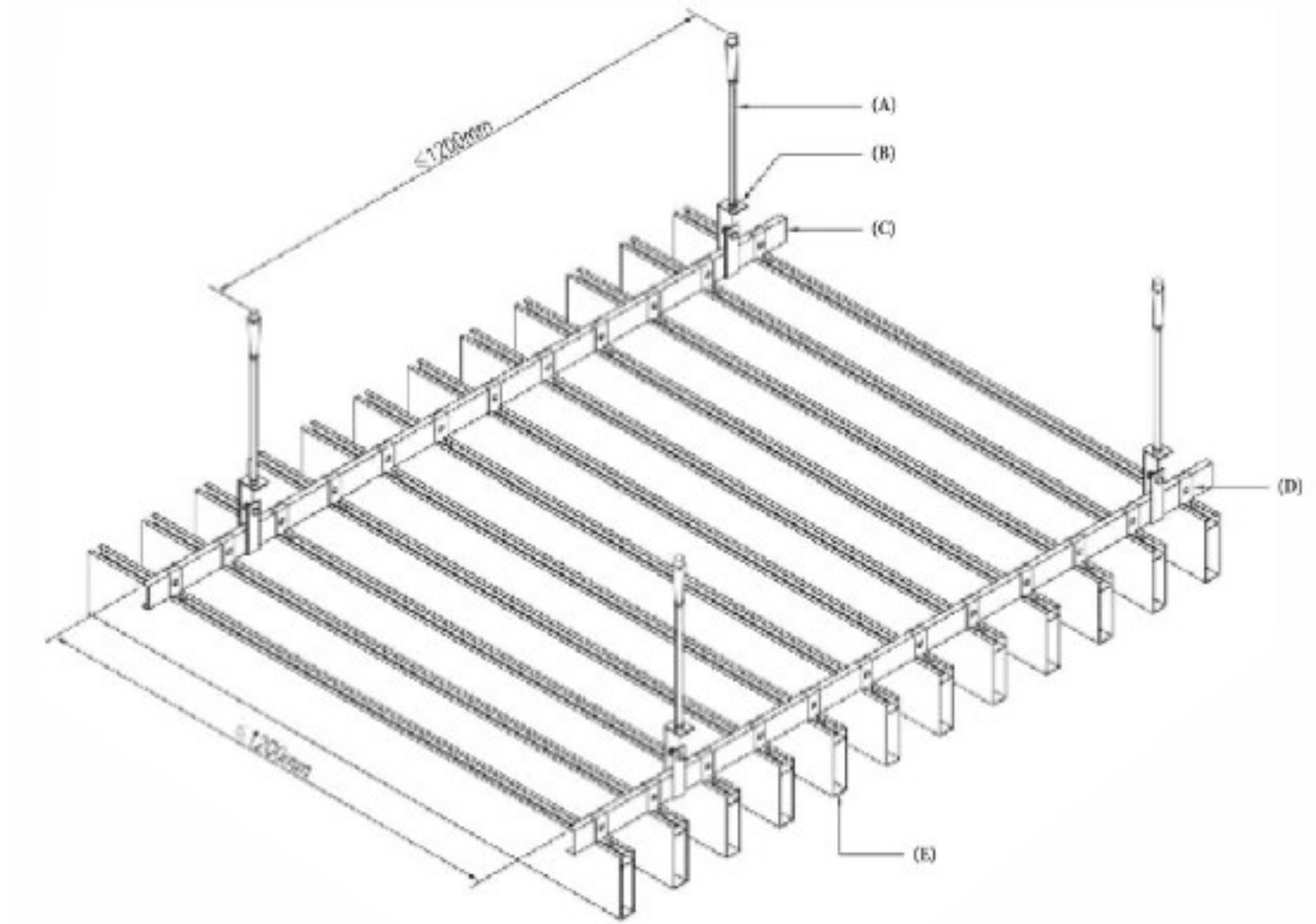
M-L2 Extruded Profile System

INTRODUCTION

M-L2 Extruded Profile System is a manifestation of a baffle ceiling. Due to its special extrusion molding process, it has high hardness, long service life, and relatively low-cost as its features making it a popular product. With a flexible layout, color matching, and height adjustment, the formed ceiling can also be ever-changing, not as rigid as imagined.

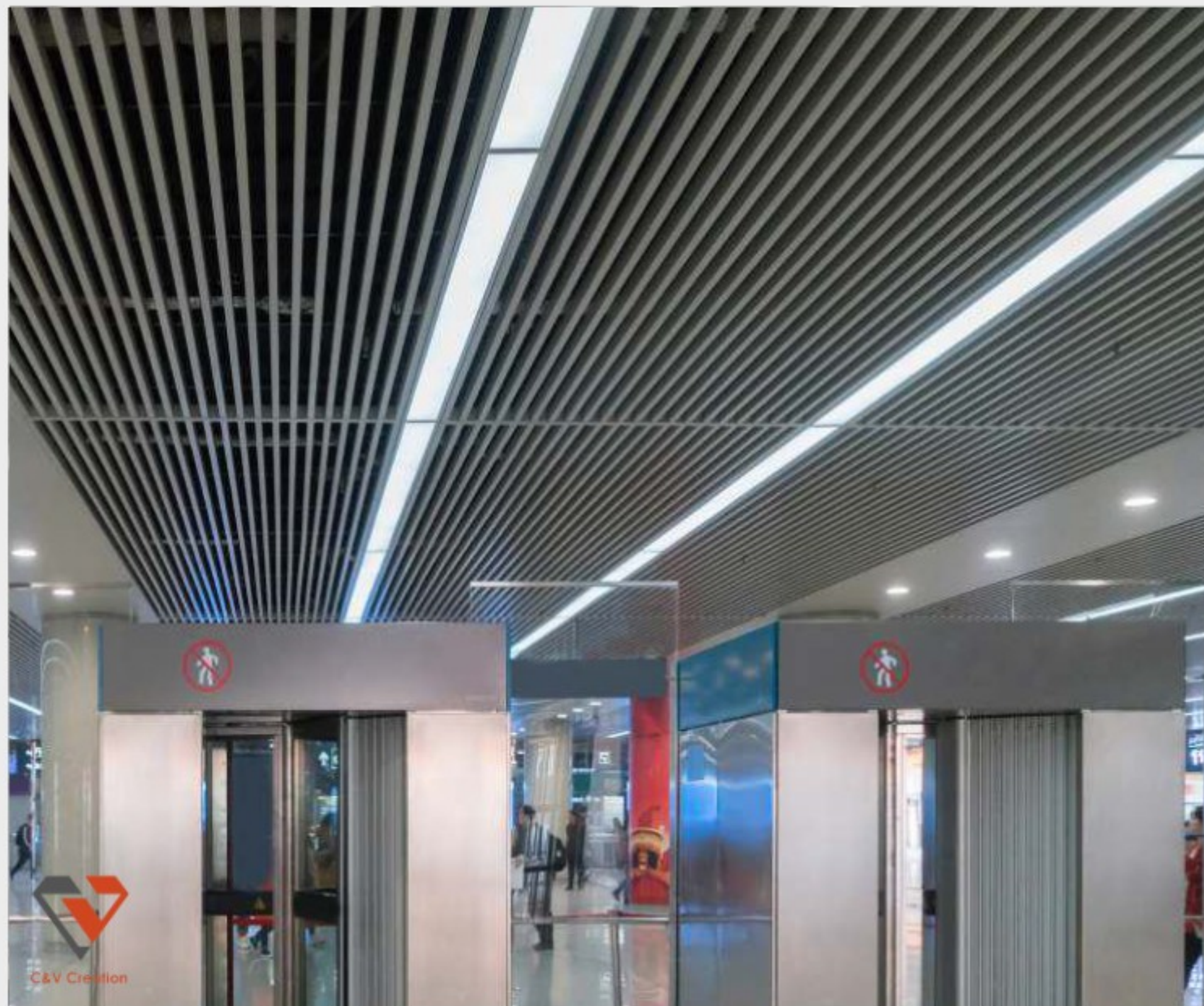


INSTALLATION DIAGRAM



- (A) M8 galvanised spreader bar
- (B) Light steel main keel hangers
- (C) Profile square keel
- (D) Suspension elements for profile square passages
- (E) 25X100 profile square ceiling

Section Drawing

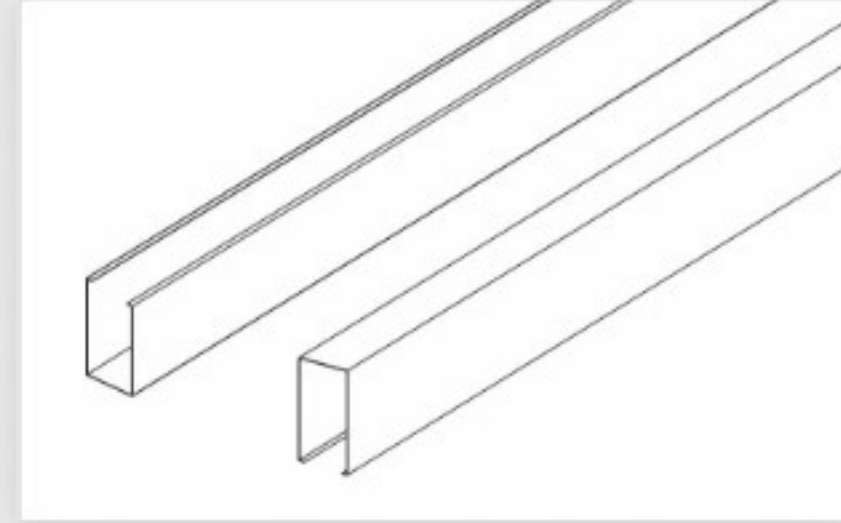


C&V Creation

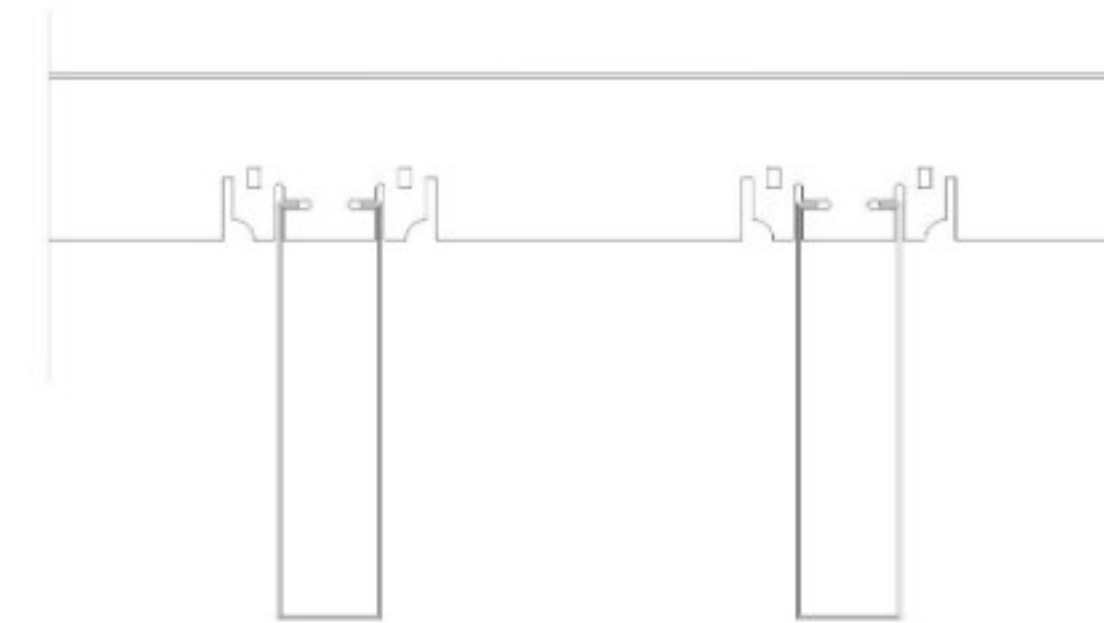
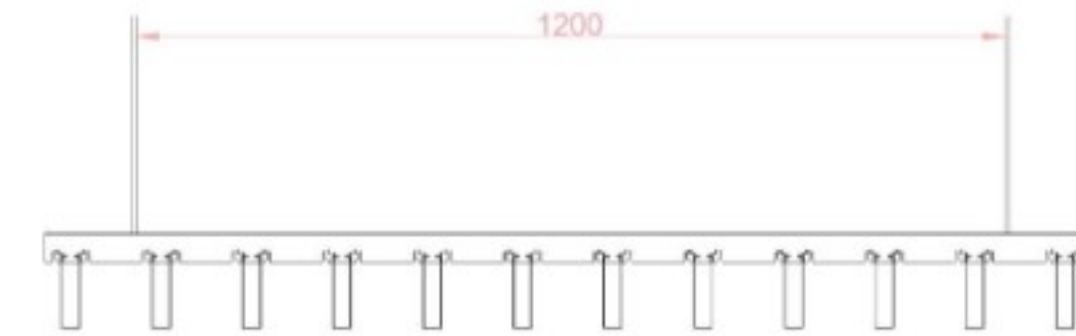
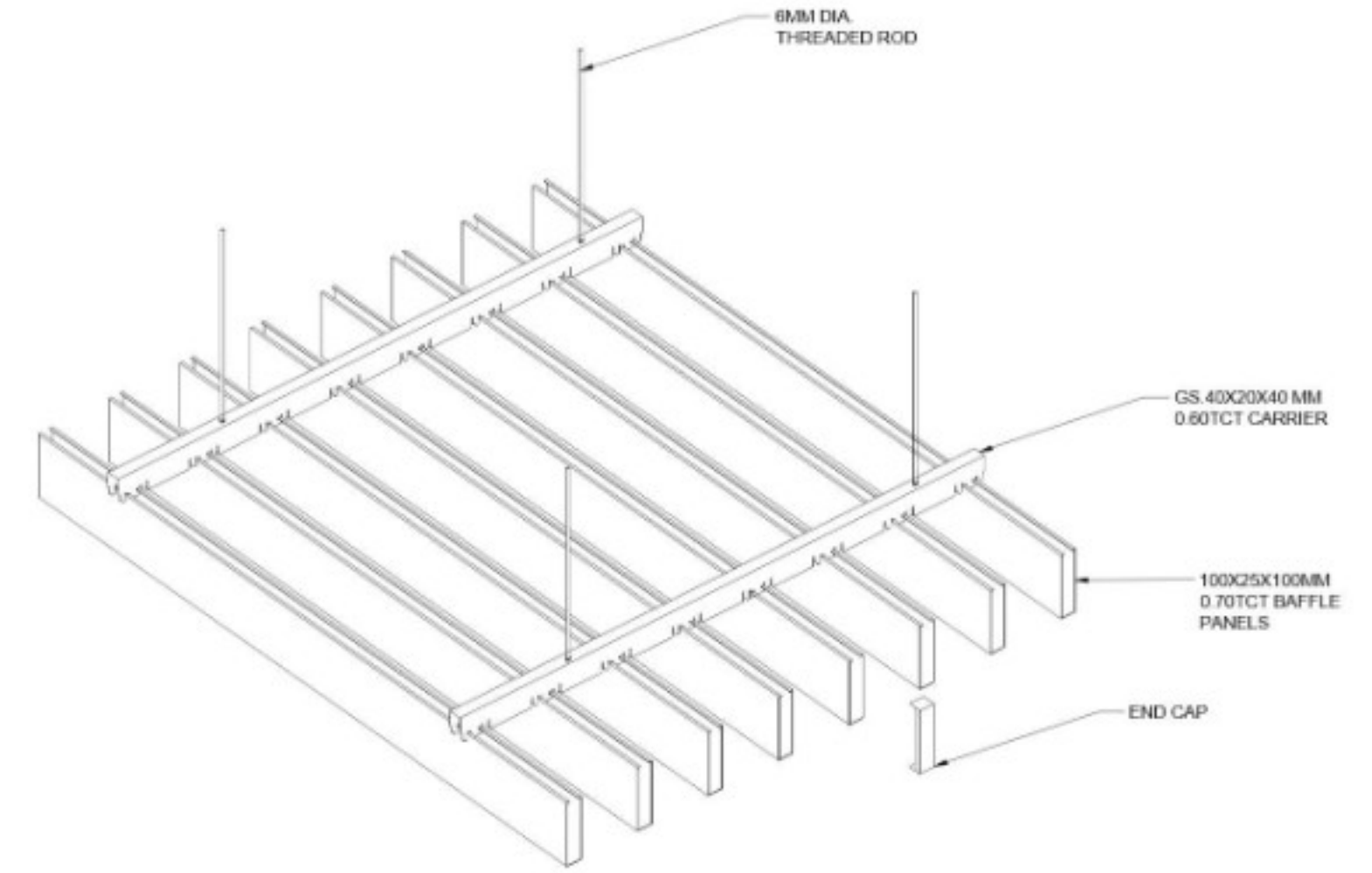
M-L3 U-Baffle System

INTRODUCTION

M-L3 U-baffle ceiling system is a decorative canopy ceiling. It has a very broad application scene, it can be used at home, it can be also used as the ceiling of the airport lobby or the ceiling of large office buildings, etc. The permeability design facilitates future repair and maintenance, and also facilitates air circulation and heat dissipation. The width of the U-shaped groove can be customized according to the application requirements of the scene.



INSTALLATION DIAGRAM



METSCREEN

03 Stripe Ceiling Series

M-P1	MULTI C-PLANK SYSTEM	22
M-P2	84C STRIP SYSTEM	24
M-P3	150F STRIP SYSTEM	26
M-P4	B-PLANK STRIP SYSTEM	28
M-P5	84R-PLANK SYSTEM	30

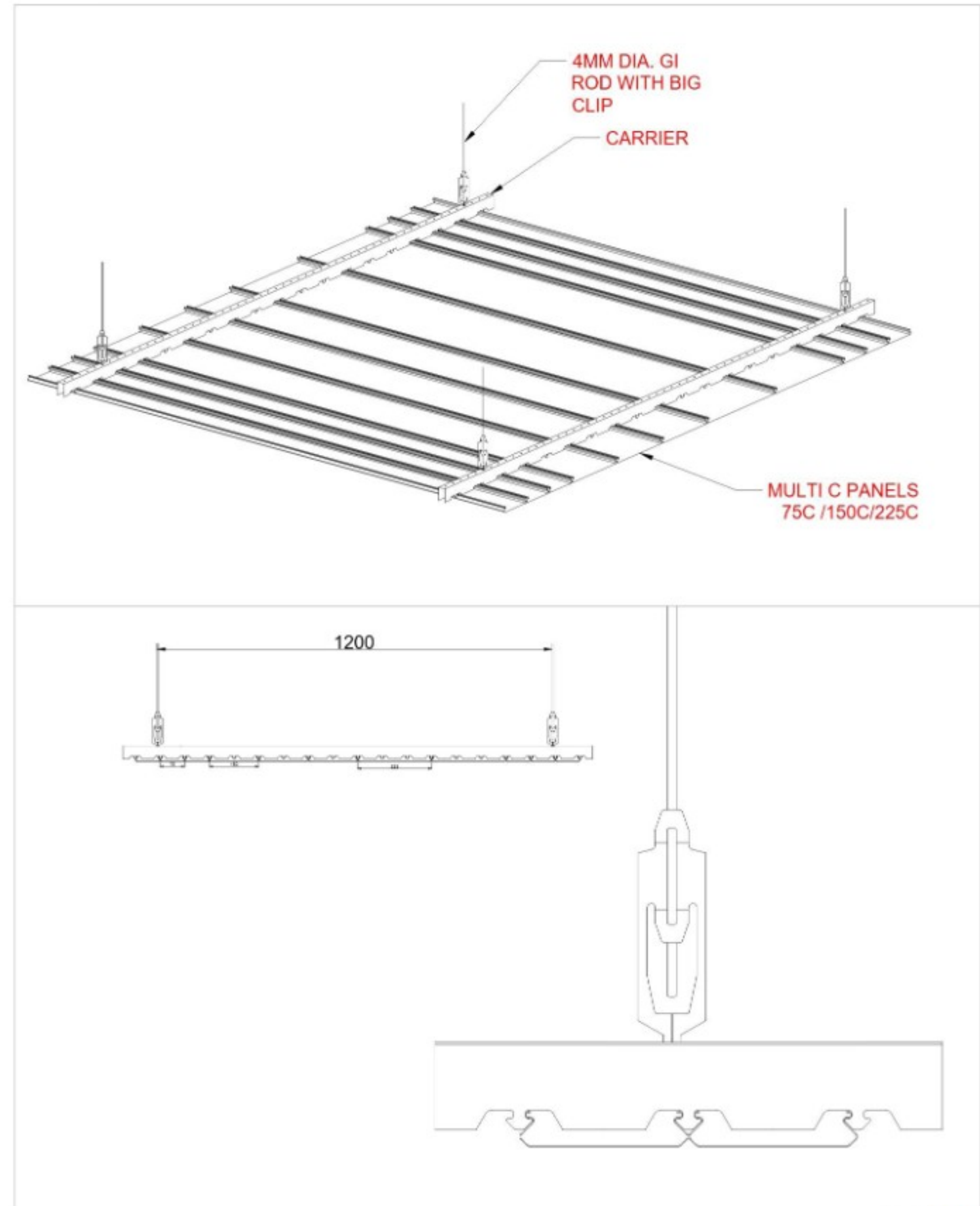


Strength, Elegance, And
Innovation In Every Frame



C&V Creation

INSTALLATION DIAGRAM



M-P1

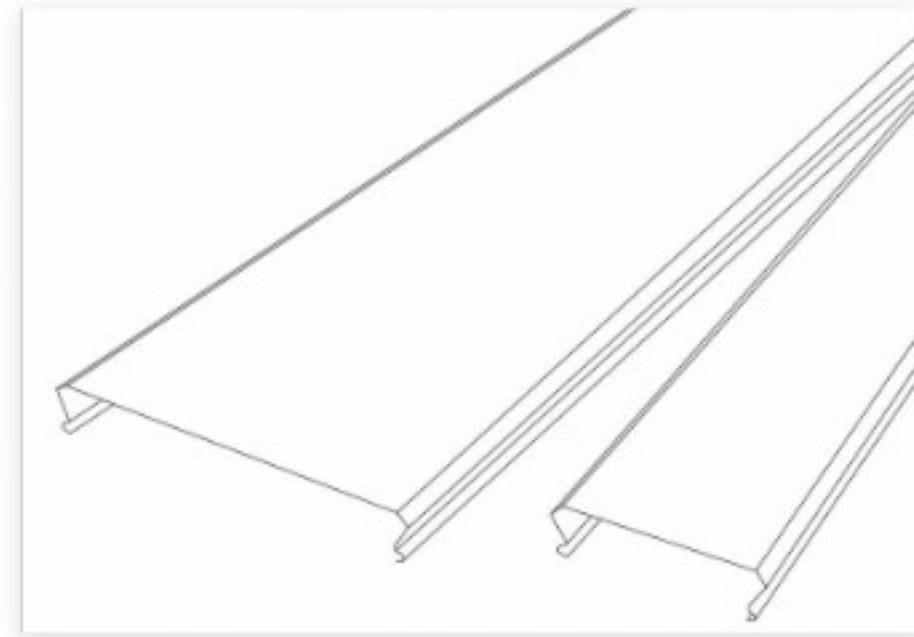
Multi C-Plank System

INTRODUCTION

M-P1 Multi C-Plank strip ceiling is one of the common styles of the strip ceiling system. Professional product knowledge and leading craftsmanship make our C-plank strip ceiling not only have rich visual effects but also can be installed and matched flexibly. It has been chosen and recognized by users all over the world.

DIMENSION

Width : 100mm, 150mm, 200mm, 300mm
 Remark: Non-standard sizes can be customized



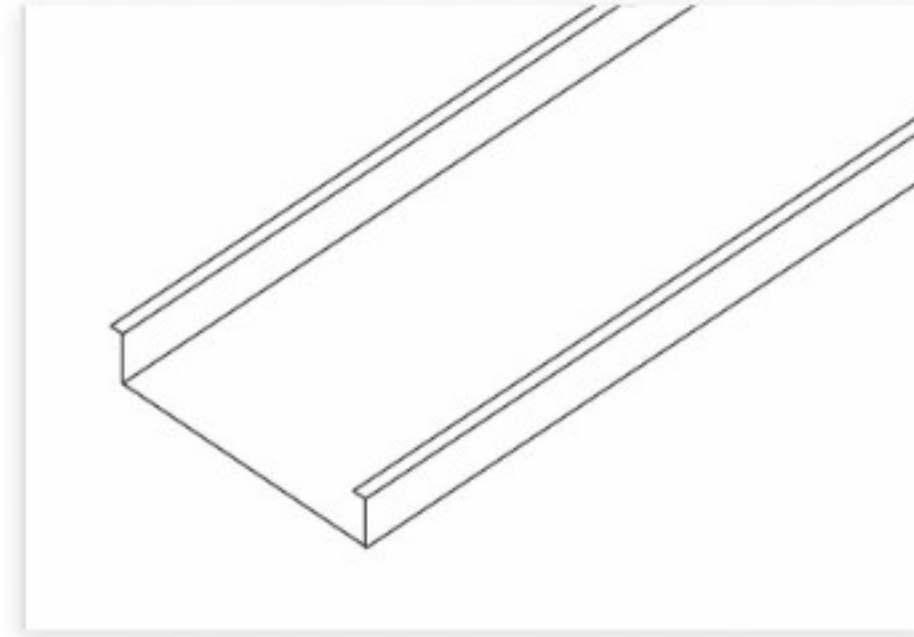
M-P2 84C Strip System

INTRODUCTION

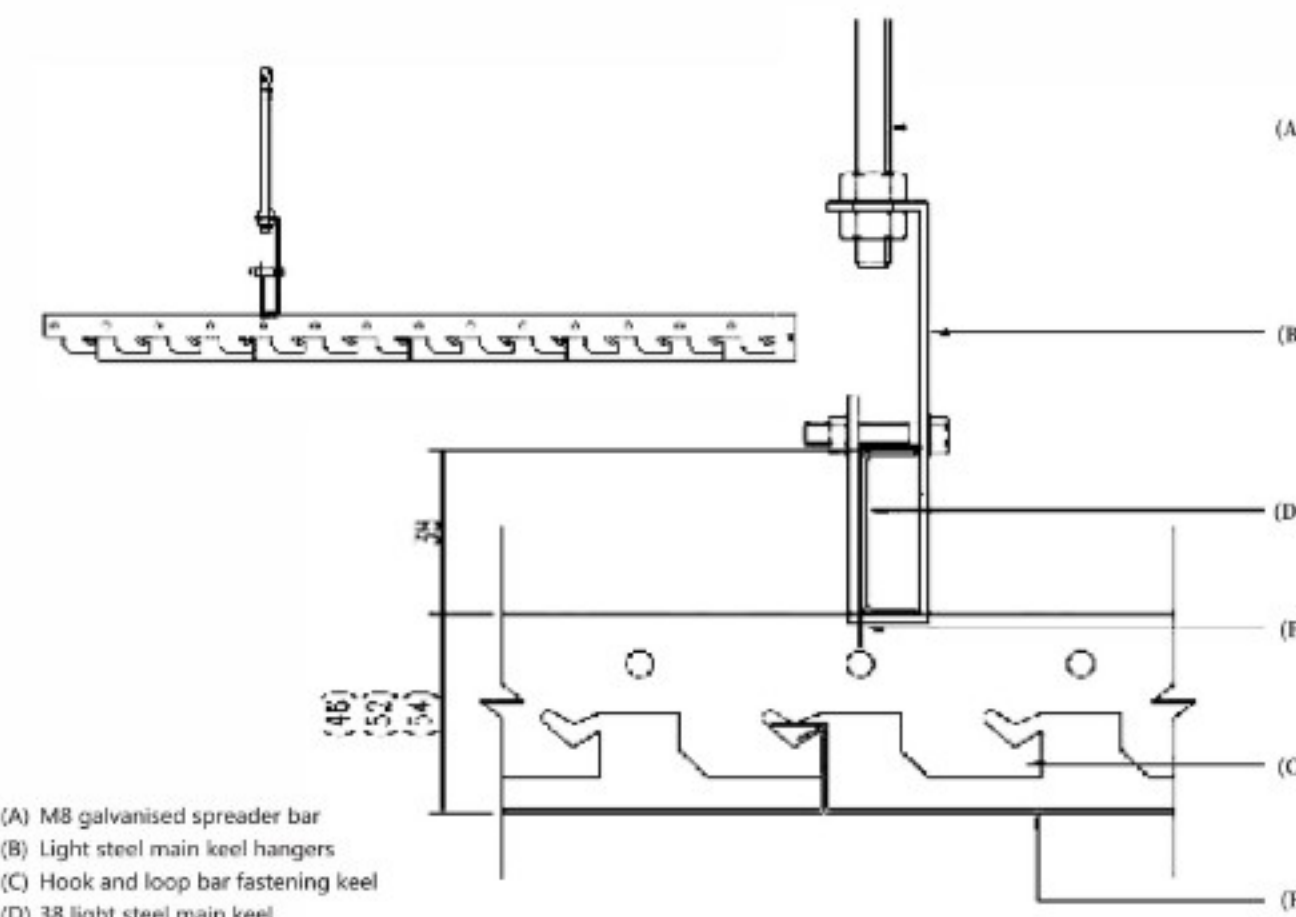
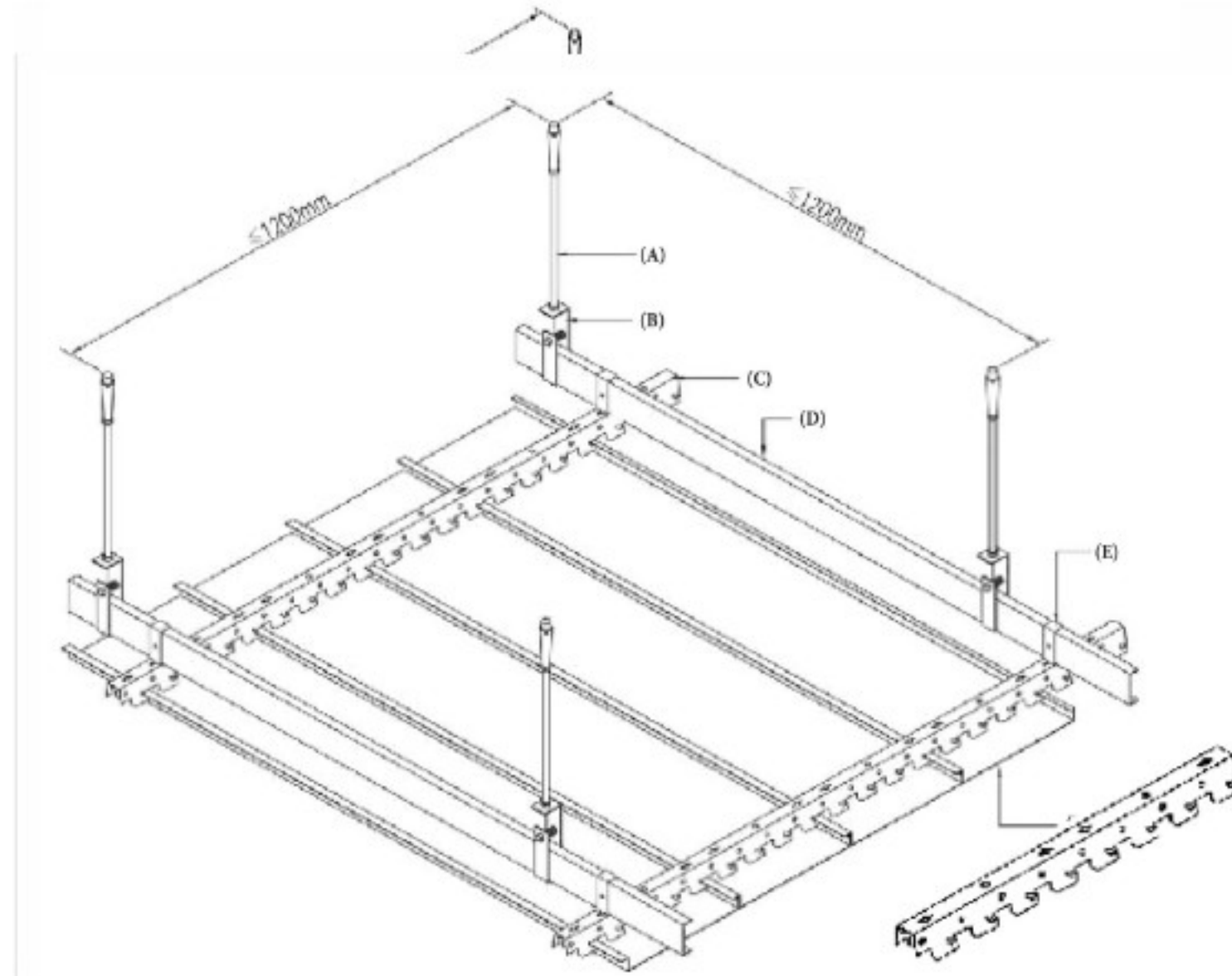
M-P2 H-Plank strip ceiling system is one of the most commonly used strip ceilings. It is a right-angle structure and can process flat or punched holes. Designers can mix and install slats of different colors or widths according to the design requirements, so that there are more changes in the design to achieve a more perfect effect.

DIMENSION

DIMENTION WIDTH - 50C TO 184C
Remark: Non-standard sizes can be customized



INSTALLATION DIAGRAM



- (A) M8 galvanised spreader bar
- (B) Light steel main keel hangers
- (C) Hook and loop bar fastening keel
- (D) 38 light steel main keel
- (E) Strip fastening hangers
- (F) Hook and Loop Bar Ceiling

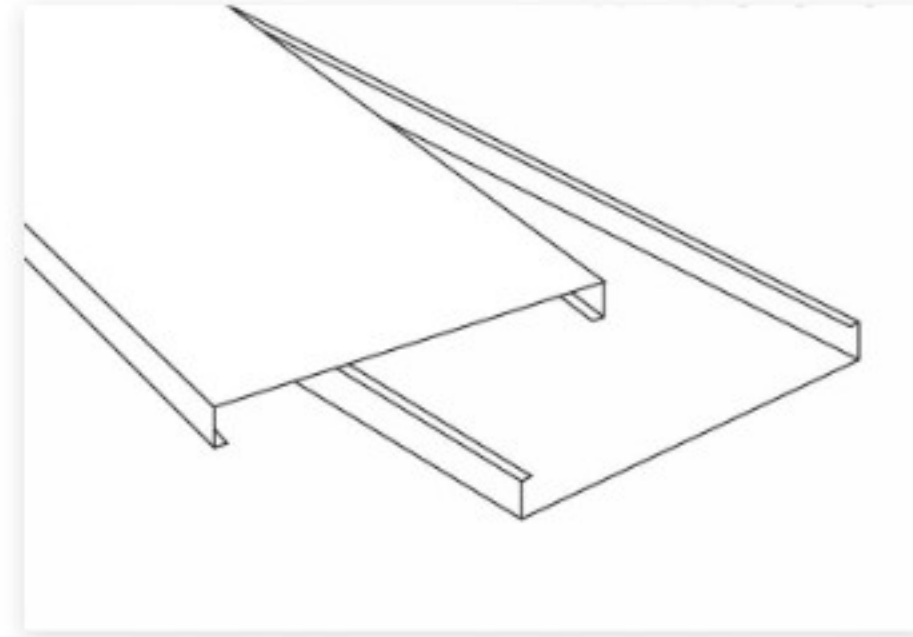
Section Drawing



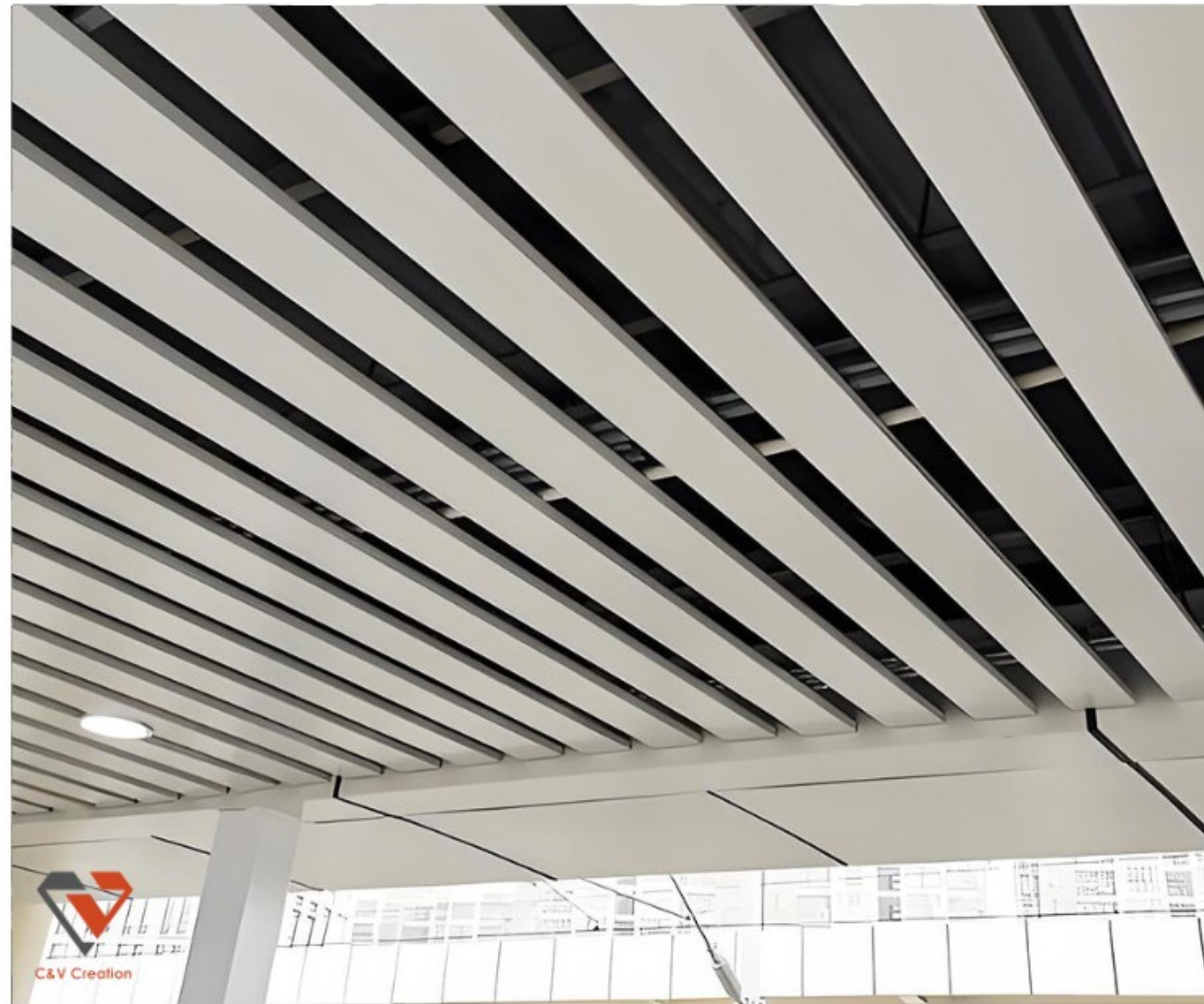
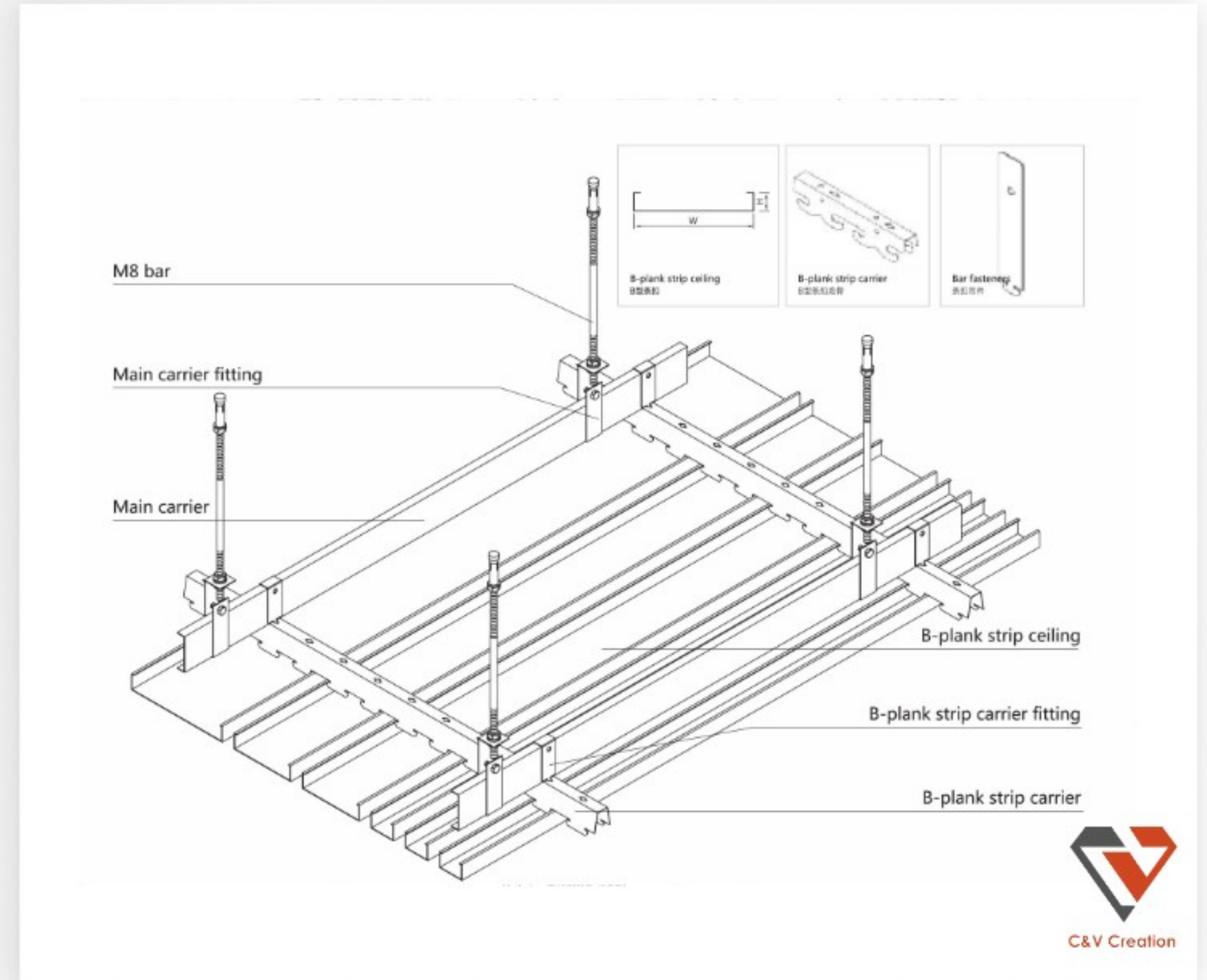
M-P3 B-Plank Strip System

INTRODUCTION

M-P3 B-Plank strip ceiling system is a commonly used style in the strip system. It can be assembled and disassembled separately, which is simple and convenient. The gap between the slits of this product can be customized according to the design requirements and the expression effect. The b-plank strip of different widths can share the same keel. It can form a height change or width change, making the ceiling more flexible and active.



INSTALLATION DIAGRAM



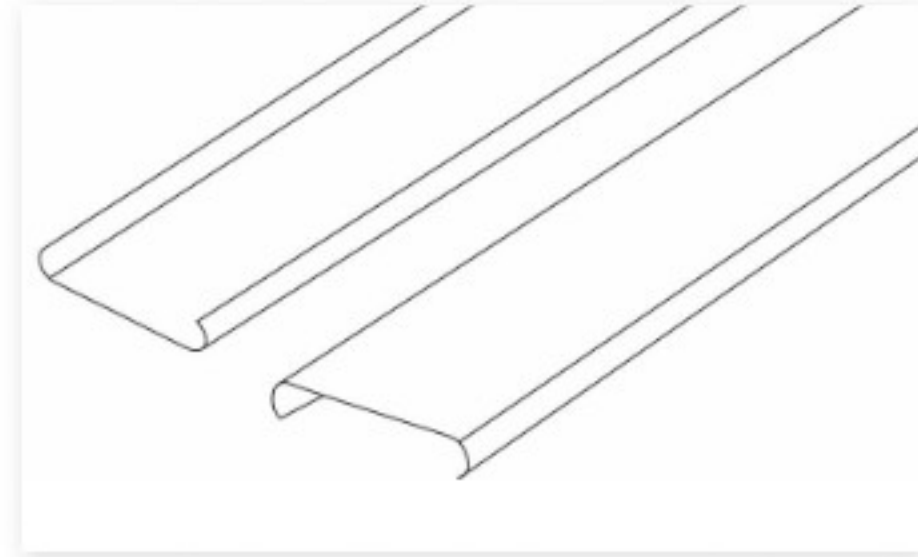
M-P4 84R-Plank System

INTRODUCTION

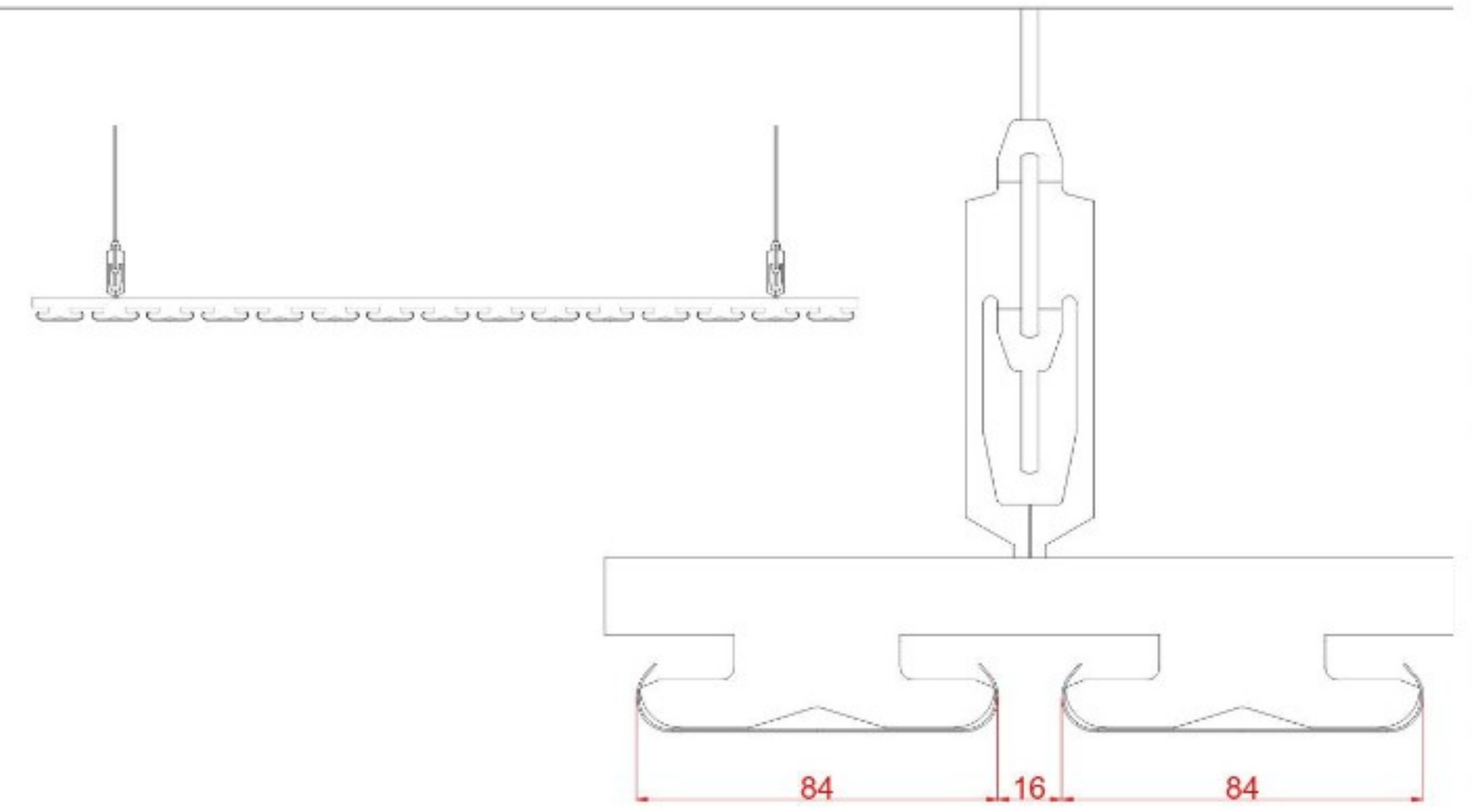
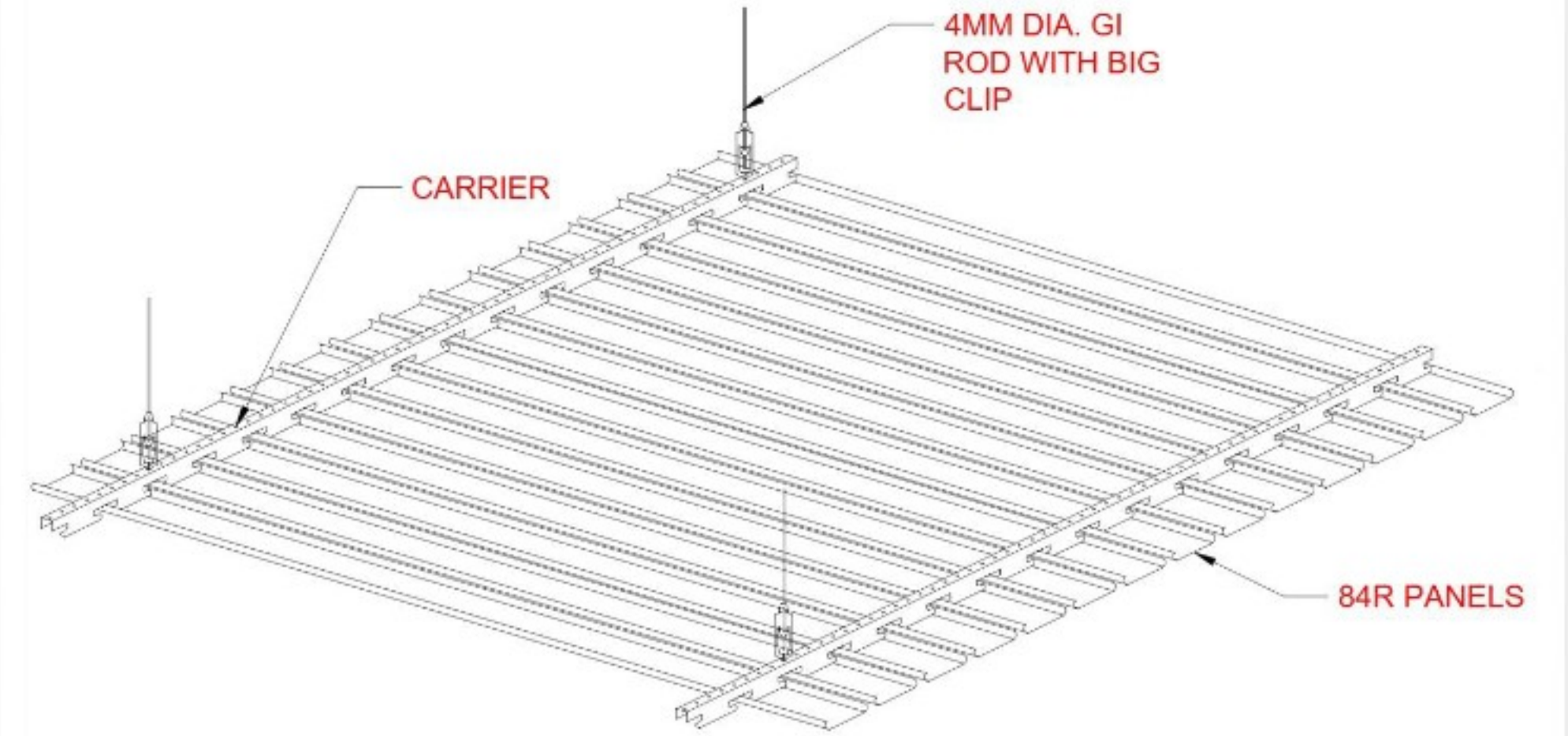
M-P4 84R-Plank strip ceiling system is one of the products of the strip ceiling series, and it is also a relatively common and standard strip ceiling. It has strong overall coherence on the surface and lines and also has good ductility. It can bring infinite creative space to designers to add new features to modern buildings.

DIMENSION

38R - 84R - 60R - 184R



INSTALLATION DIAGRAM



C&V Creation



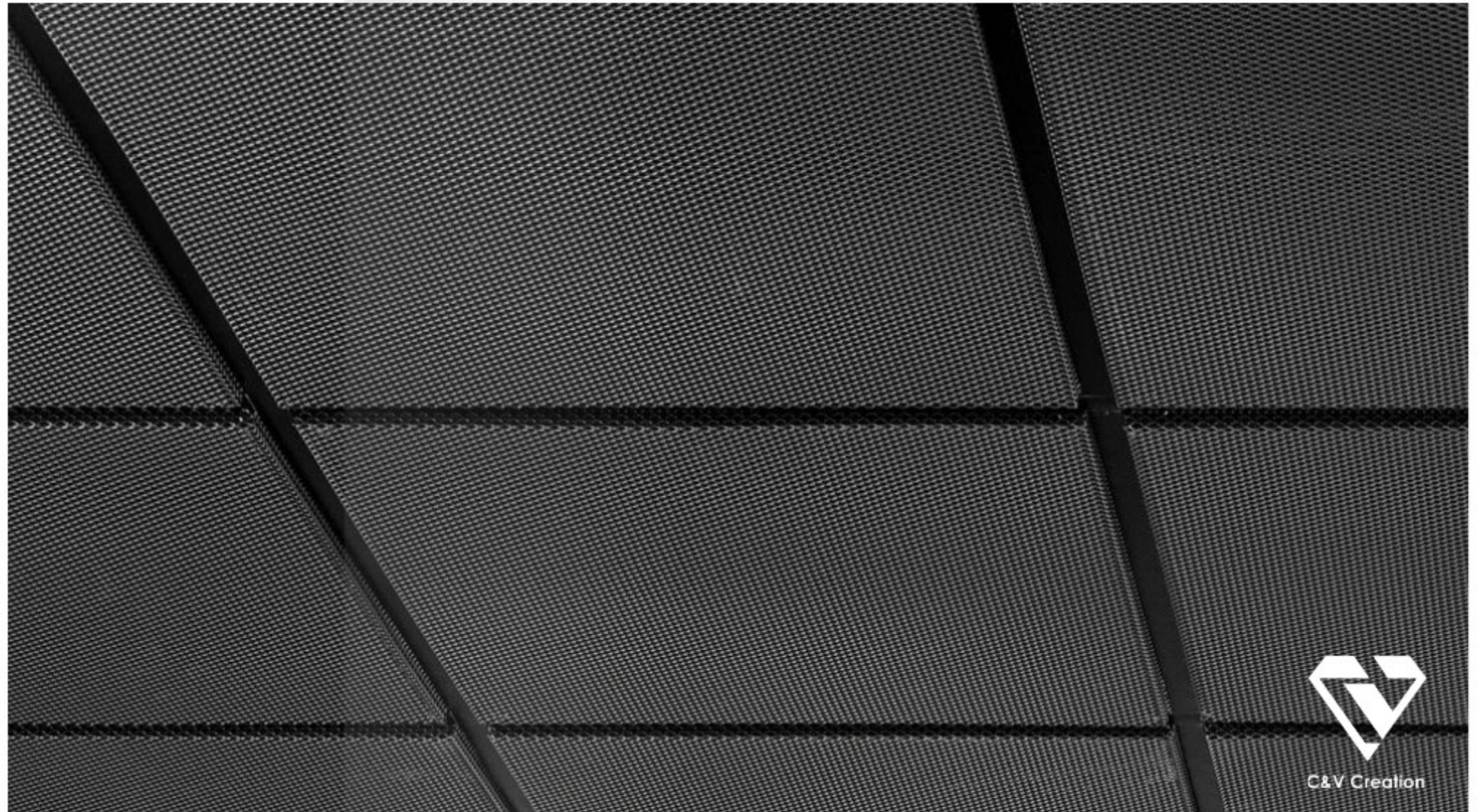
C&V Creation

METSCREEN

04 Stretch Mesh Ceiling Series

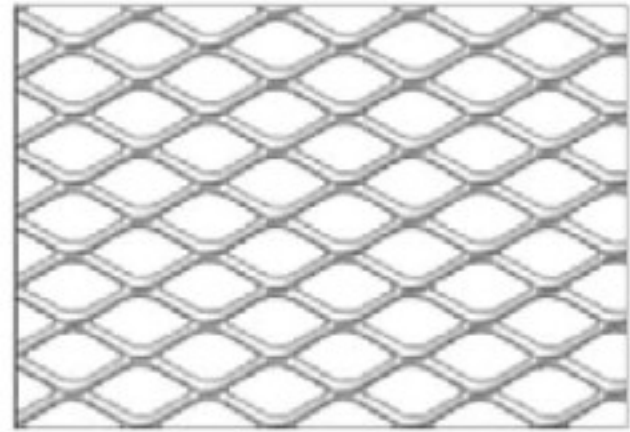
The Metal Mesh Ceiling Has The Characteristics Of A Comprehensive And Transparent Vision. Moreover, It Is A Ceiling System That Can Be Used In Various Architectural Designs And Has Unique Visual Effects. A Wide Selection Of Styles, Materials, And Colors Ensures Every Project Has A Unique Look.

Crafting Dreams,
One Metal
Masterpiece
At A Time

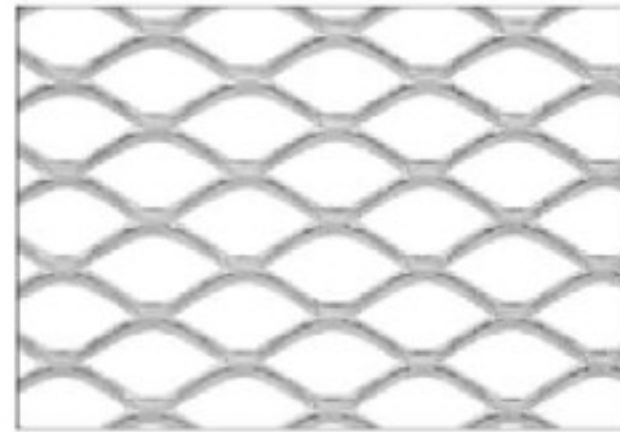


Stretch Mesh Ceiling

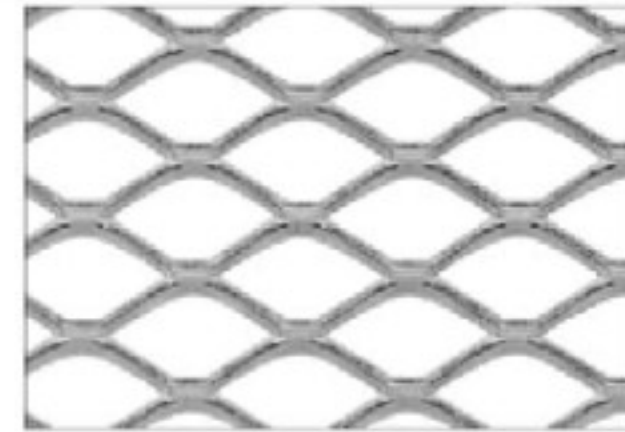
MESH MODEL



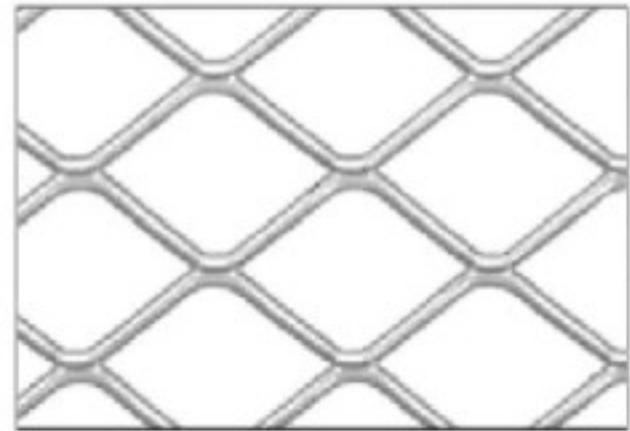
M100
M100_1.5



M110 [standard]



M200
M200_1.5



M210



M220



M230
M230_1.5



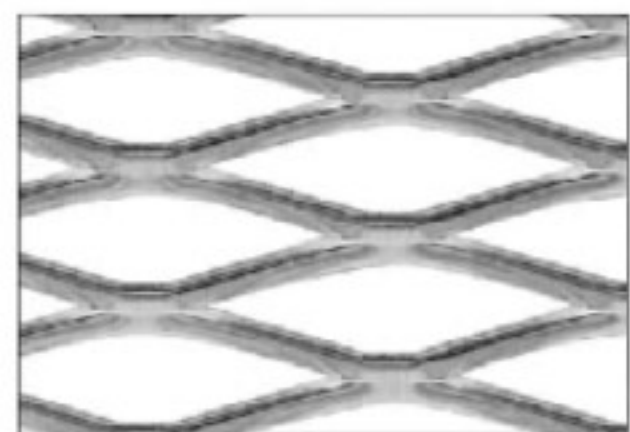
M240
M240_1.5



M250
M250_1.5



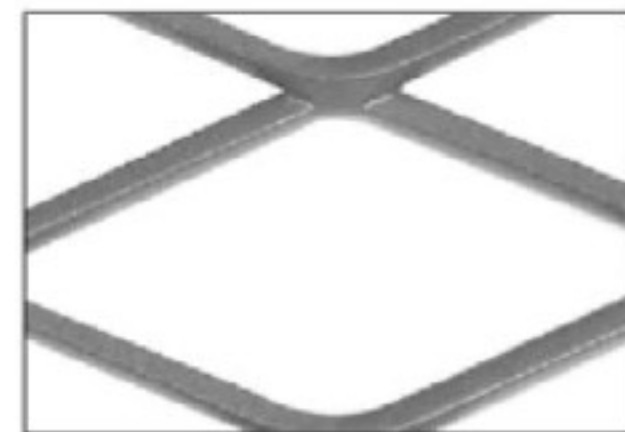
M260
M260_1.5 [standard]



M400 [standard]



M600



M610



C&V Creation

MESH MODEL

	Style	Mesh Length	Mesh Width	Web Width	Web Thickness	Open Area
	M100	12.5mm	6mm	1mm	1mm	66.6%
	M100_1.5	12.5mm	6mm	1.5mm	1.5mm	50%
STANDARD	M110*	16mm	8mm	1.5mm	1.5mm	62.5%
	M200	20mm	10mm	2mm	1mm	60%
	M200_1.5	20mm	10mm	2mm	1.5mm	60%
	M210	25mm	16mm	1.5mm	1.5mm	81.2%
	M220	25mm	15mm	2.5mm	1.5mm	66.6%
	M230	25mm	10mm	2mm	1mm	60%
	M230_1.5	25mm	10mm	2mm	1.5mm	60%
	M240	25mm	16mm	2mm	1mm	75%
	M240_1.5	25mm	16mm	2mm	1.5mm	75%
	M250	28mm	10mm	2mm	1mm	60%
	M250_1.5	28mm	10mm	2mm	1.5mm	60%
STANDARD	M260	28mm	12mm	2mm	1mm	66.6%
	M260_1.5*	28mm	12mm	2mm	1.5mm	66.6%
STANDARD	M400*	44mm	12mm	3mm	1.5mm	50%
	M600*	62mm	20mm	2.5mm	1.5mm	75%
	M610*	62mm	25mm	3mm	2mm	76%



C&V Creation

Page 34

Page 35



METSCREEN

04 Stretch Mesh Ceiling Series



Introduction

The Perforated Aluminum Veneer Adopts Computer Numerical Control Stamping Equipment, Selects High-Quality Metal Materials, And Uses Punching Techniques Of Different Specifications Or Styles To Beautify The Metal Layout, Which Can Relieve The Sense Of Depresssion Caused By The Closed Type, Making The Product Faintly Visible, And The Space Has A Unique Wide Eyde Perception.



C&V Creation



Page 36



M-01 Open Cell Ceiling System

INTRODUCTION

M-01 Cell Ceiling Profiles (Main Runner & Cross Runner) Having Width Of 15mm And Heights Of 40mm & 50mm Available In Steel And Aluminum, Fixing Of 600mmx600mm & 600mm X 1200mm Grid Feels Like Premium Look, Aluminum & Galvanized Steel Material Can Be 100% Recycled With The Use Of Small Amount Of Energy.

TECHNICAL DETAILS

PANEL

Cell Modules 50mm, 100mm, 150mm, 200mm, 300mm Is Manufactured From 0.4mm / 0.45mm TCT Coil Coated Or Pre Coated Aluminum / Galvanized Steel.

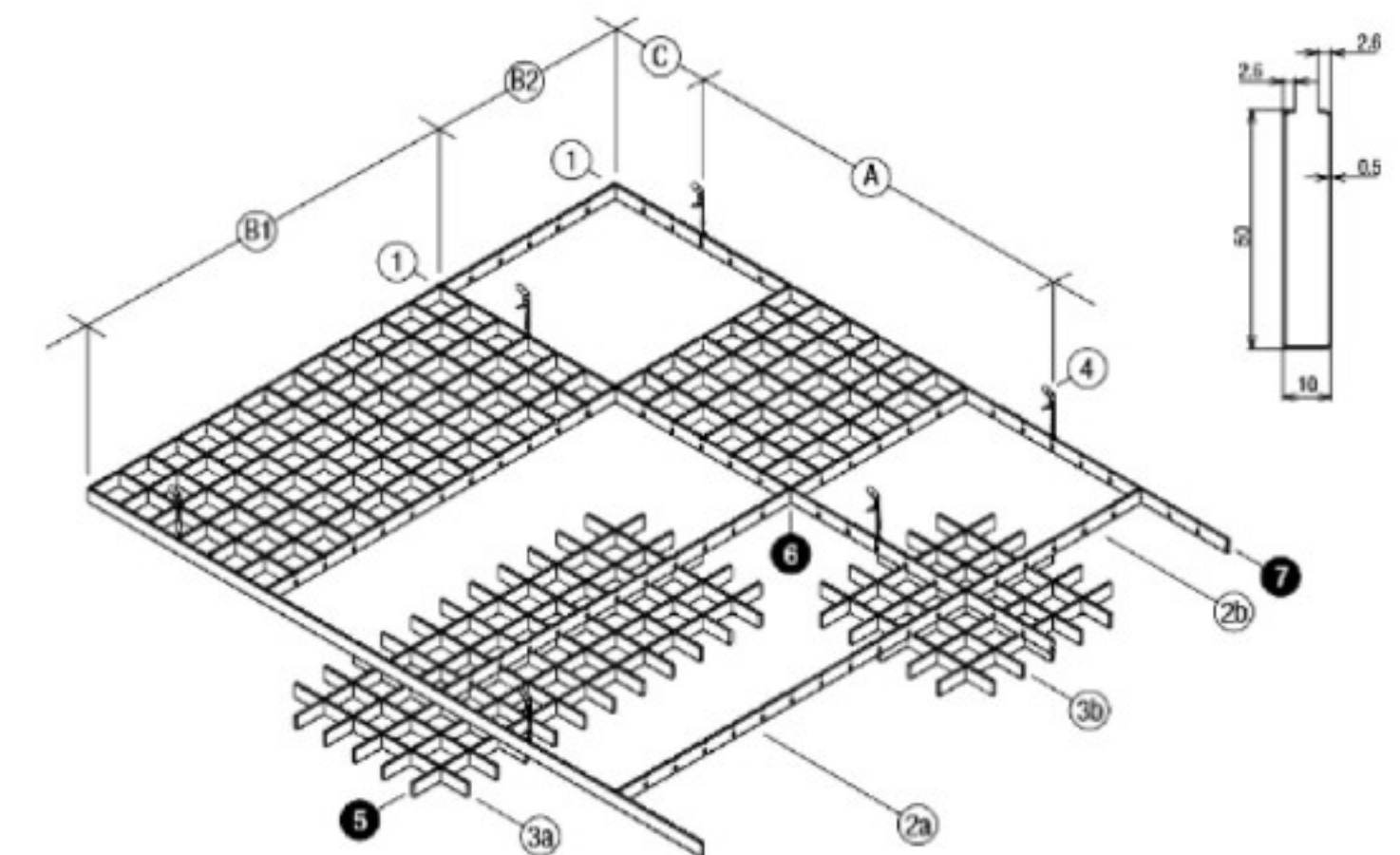
COIL COATING

The Durable Polyester Finish In A Nominal Thickness Of 20-25 Microns On Exposed Surface In A Continuous Coil Coating Process Ensuring Uniform Coating Thickness.

SUSPENSION

4mm Dia. GI Rod, Adjustment Spring, Cell Splice For Joining And, Galvanized Steel Edge Profile

Page 37



- 1 = Main runner 2400 mm
- 2a = Cross runner 1200 mm
- 2b = Cross runner 600 mm
- 3a = Cell tile 1200 x 600 mm
- 3b = Cell tile 600 x 600 mm
- 4 = Cell hanger

- A = 1200 mm (max.)
- B1 = Tile length (standard 1200)
- B2 = Tile length (standard 600)
- C = 300 mm (max.)



C&V Creation

M-L01

U Shaped Louvers/Cladding

Introduction

U SHAPE CLADDING Is An Alternate Method To Linear Cladding. Baffles Of Various Sizes Can Be Arranged In Different Gaps Between Each Member Giving A Continuous Look Without Enclosing Each Panel Next To The Other. It Can Be Given Various Colors, Finishes, And Coating And Is More Efficient. It Is Corrosion-Resistant, Weather-Resistant, And Easy To Maintain.

-  Corrosion Resistance
-  Acoustic Property
-  Fire Classification
-  Humidity Resistance
-  Easy Wash / Clean
-  Anti Microbial
-  Light Reflectance
-  Green Building Material

Specifications

U Shape: 13x50x13 | 13x75x13

Width: 50-75mm | Length: Up To 5000mm | Depth: 13mm | Thickness: 0.50 - 0.71mm

U Shape: 25x25x25 | 25x50x25 | 25x75x25

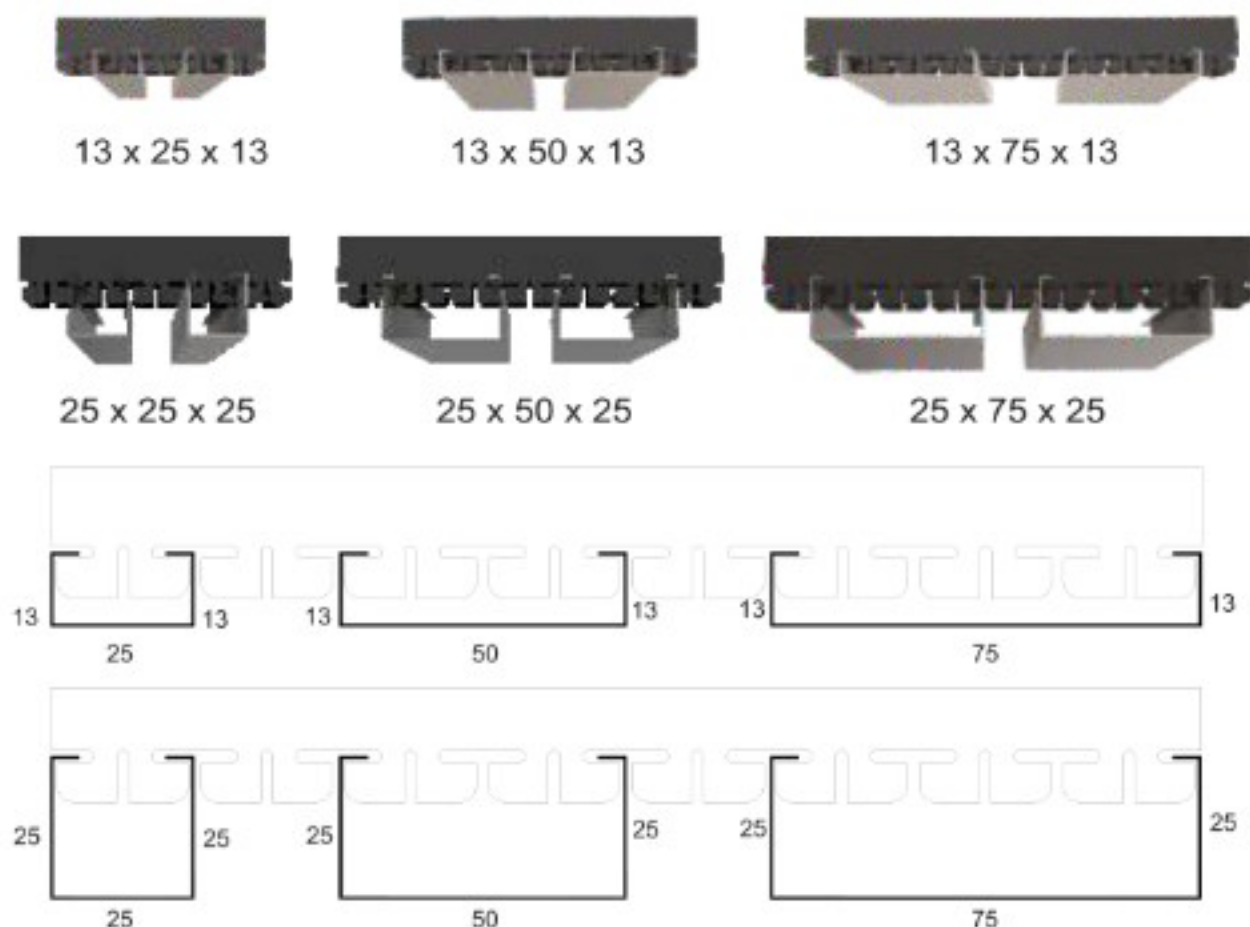
Width: 25-50-75mm | Length: Up To 5000mm | Depth: 25mm | Thickness: 0.50 - 0.71mm

U Shape: 50x25x50 | 50x50x50 | 50x75x50

Width: 25-50-75mm | Length: Up To 5000mm | Depth: 50mm | Thickness: 0.50 - 0.71mm

U Shape: 75x25x75 | 75x50x75

Width: 25mm | Length: Up To 5000mm | Depth: 75mm | Thickness: 0.50 - 0.71mm



M-S1 Sun Louvers

Introduction

M-S1 Sun Louvers Have The Experience To Integrate Exterior Sun Control Systems Into The Building Architecture, Enhancing The Facade While Providing Highly Effective Sun Protection. The Range Of Carrier Angles Provides Airflow, Sun Shading, Safety From Rainfall, And Desired Visibility. This System With Different Angles. The Frame Can Be Mounted On The Exterior Of A Building Over Window Openings, Along Balconies, Or Over Open, OTS, Duct Areas On A Building Elevation.

Panel 84mm Wide, 13mm Deep, Length Up To 3.6mtr, Galvanized Steel 0.5-0.7mm

Carrier Various Gap- 16mm /27mm /35mm/50mm, Made Of Galvanized Steel 0.6mm. Thick Stove Enameled/Coil Coated Black

Surface Finish Special High Quality With Corrosion Resistant Super Durable Powder Coating, Have Properties Capable Of Meeting The Severe Requirement Of Exterior Applications, Preferred With Visible & Rear Both Side Coating

Installation Hardware L Clit, L Angle, Corrosion & Weather Resistant Screws And Other Components If Required For Structure



Corrosion Resistance



Acoustic Property



Fire Classification



Humidity Resistance



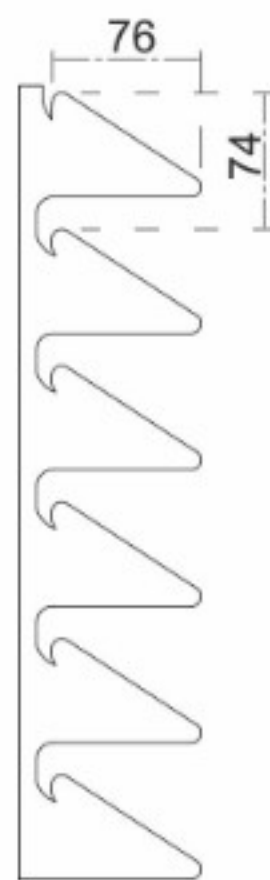
Anti Microbial



Easy Wash / Clean



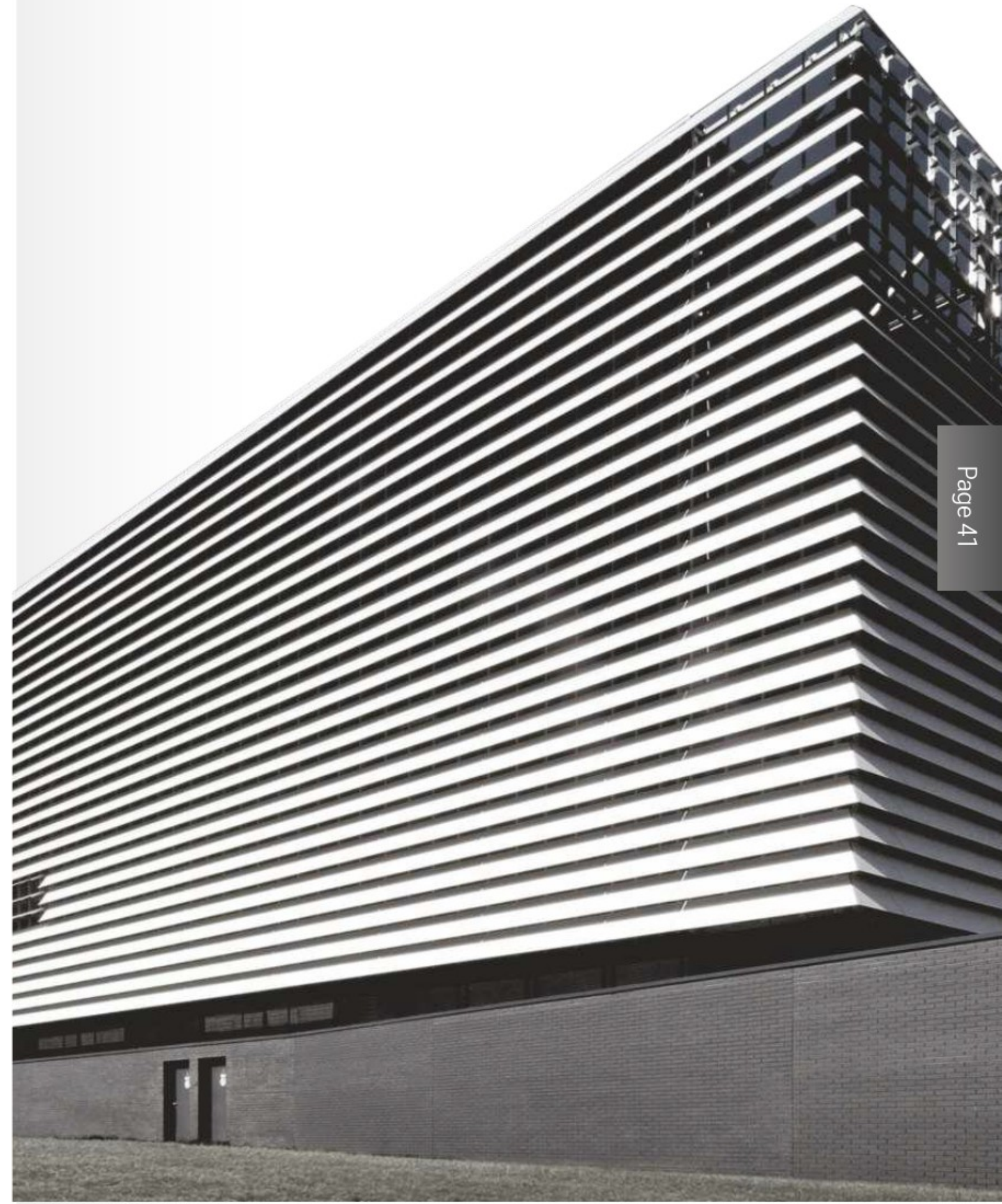
SL-4



SL-5



H-3



Gallery

