



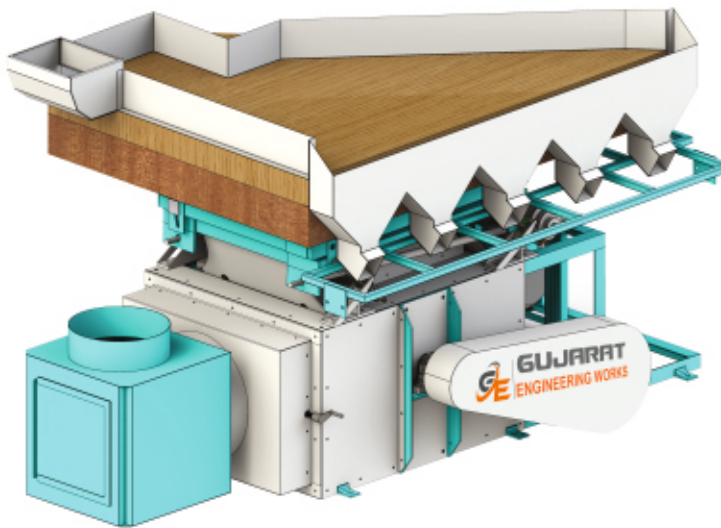
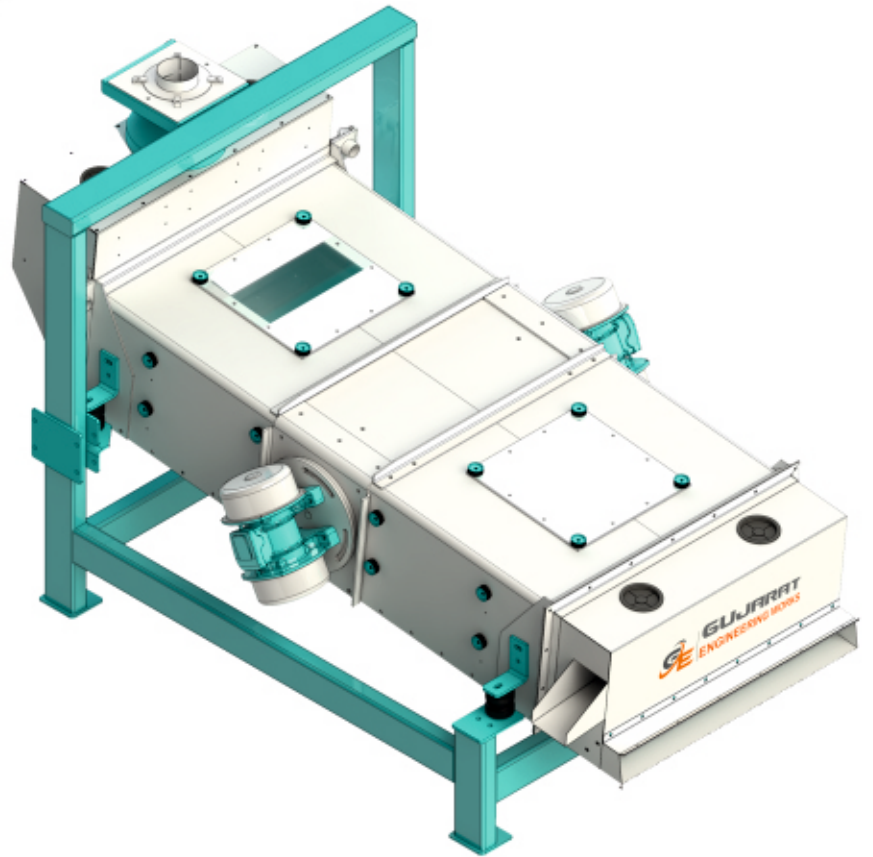
# **GUJARAT** **ENGINEERING WORKS**

May your passion for engineering continue to  
drive progress & inspire Greatness.



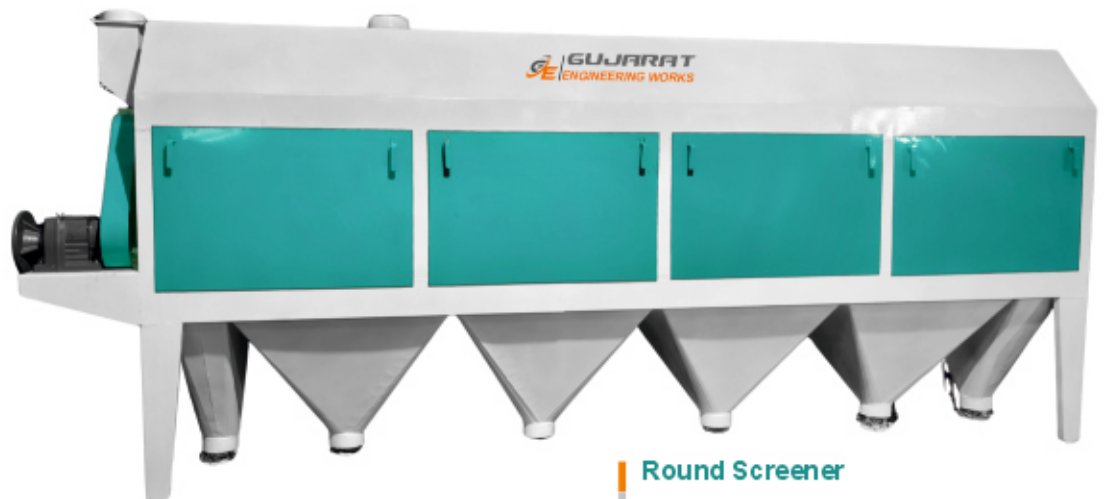
**Classifier Separator Machine**

Model : GEW 3D 1500, GEW 2D 1500,  
GEW 3D 1000, GEW 2D 1000,  
GEW 2D 0750

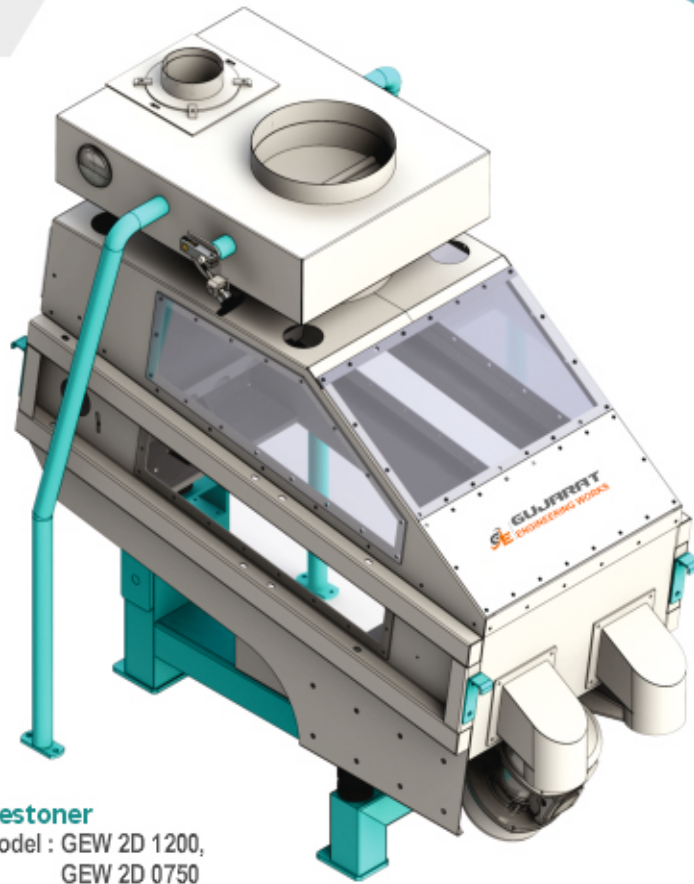


**Single Fan Gravity Separator**

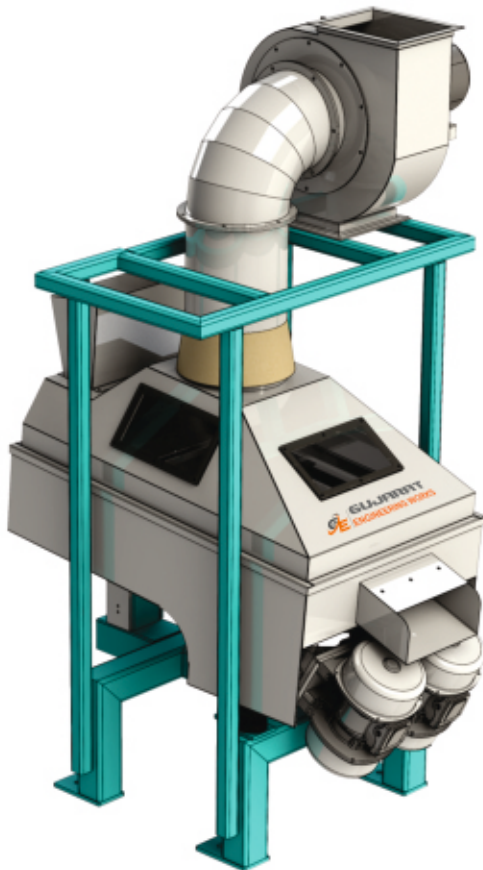
Model : GEW GS 2020, GEW GS 1760



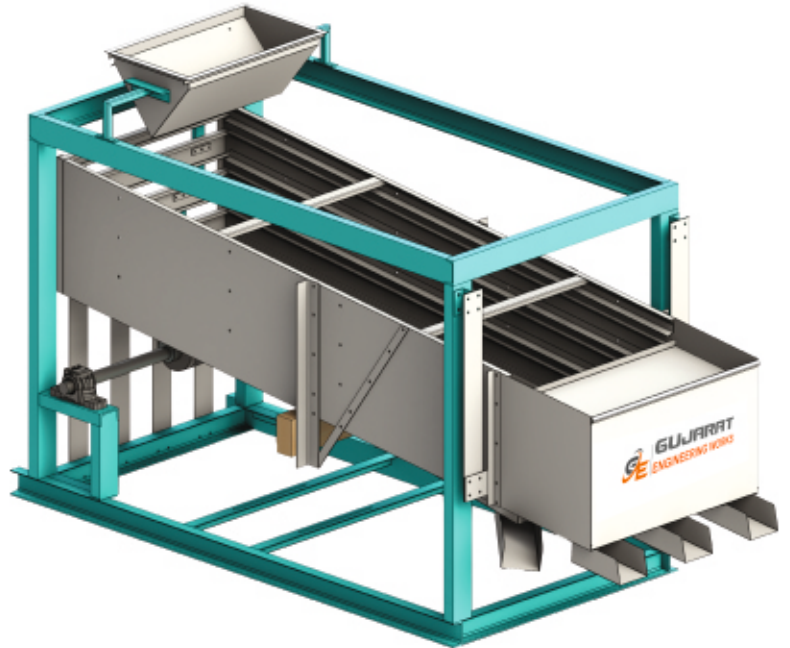
**Round Screener**



**Destoner**  
Model : GEW 2D 1200,  
GEW 2D 0750



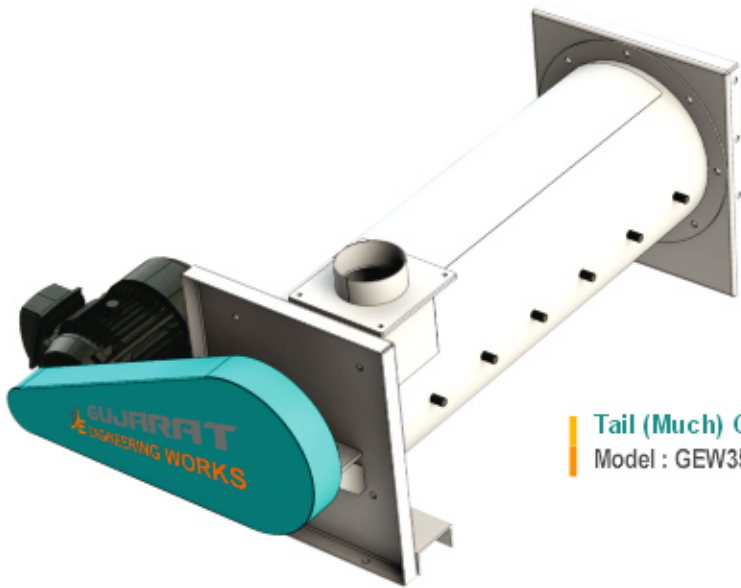
**Destoner**



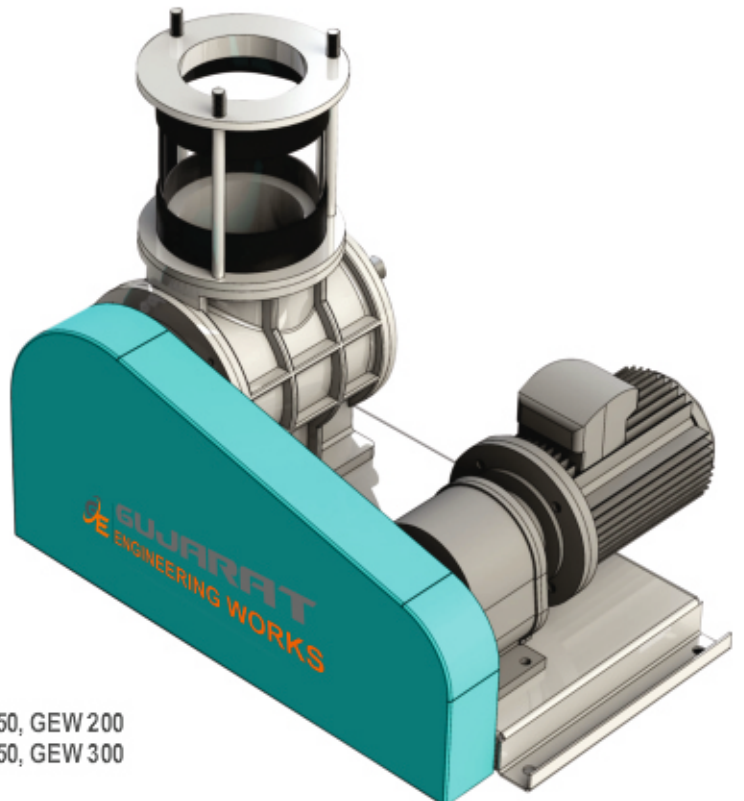
**Seed Cleaning Separator**  
Model : GEW 3D 1008,  
GEW 3D 1210, GEW 3D 0807  
GEW 2D 0908, GEW SD 0807



Gravity Separator



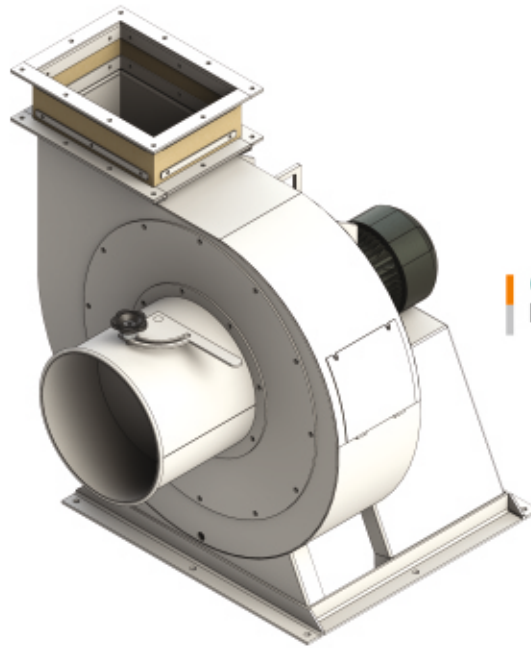
Tail (Mud) Cutter  
Model : GEW350, GEW450



Airlock  
Model : GEW 150, GEW 200  
GEW 250, GEW 300



MS Spouting Line



Centrifugal Blower Fan  
Model : 3DHP, 5HP, 10HP,  
15HP, 20HP, 25HP



SS SPOUTING

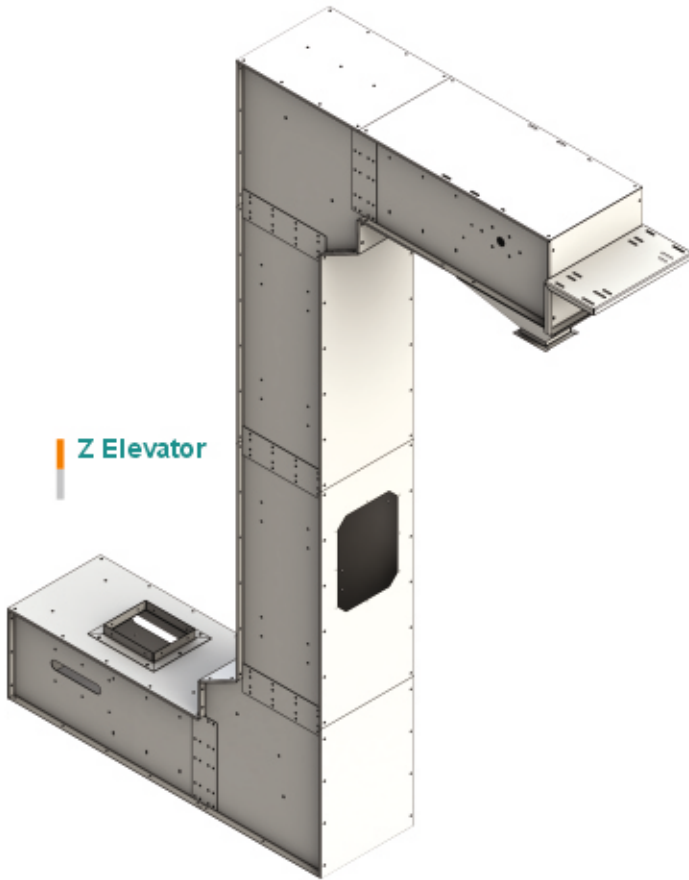


ASPIRATION DUCTING

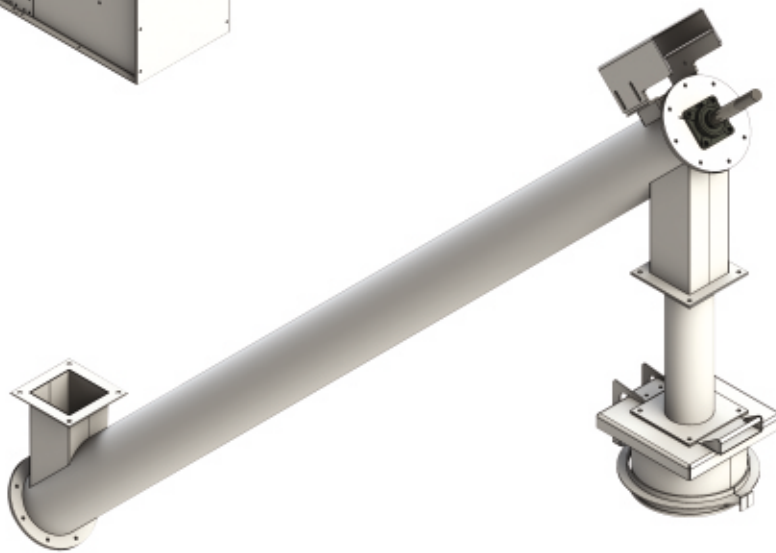


**Aspiration Channel**

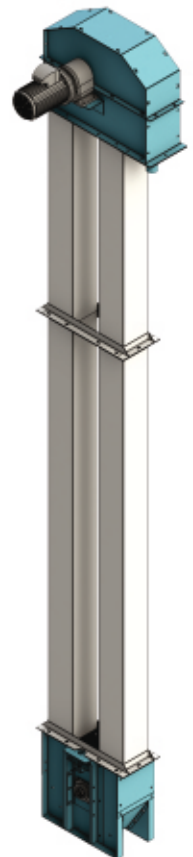
Model : GEW ASP 400, GEW ASP 700,  
GEW ASP 1000, GEW ASP 1500,



**Z Elevator**



**Screw Conveyor**



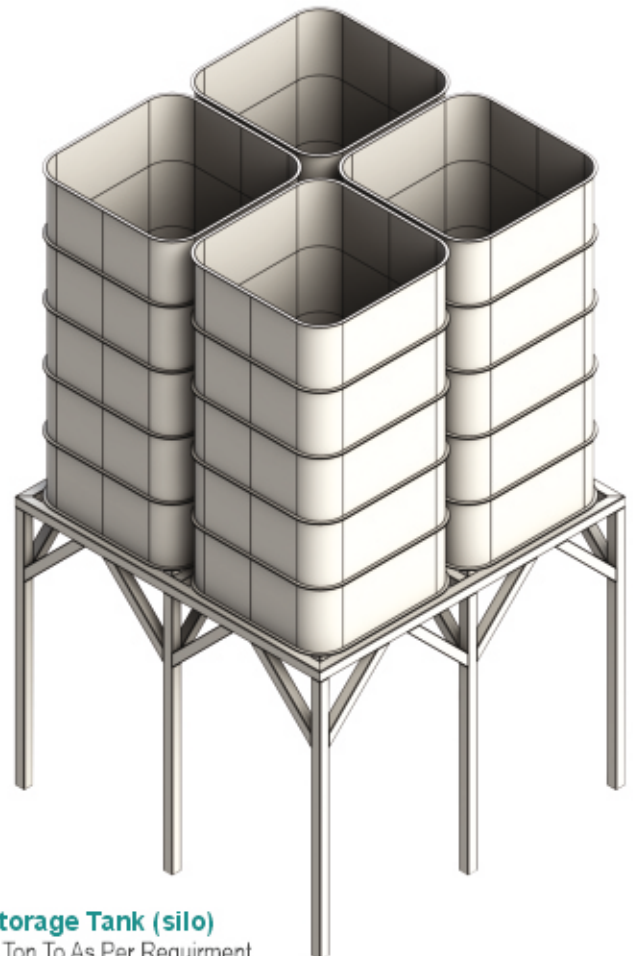
**Bucket Elevator**



Cyclone



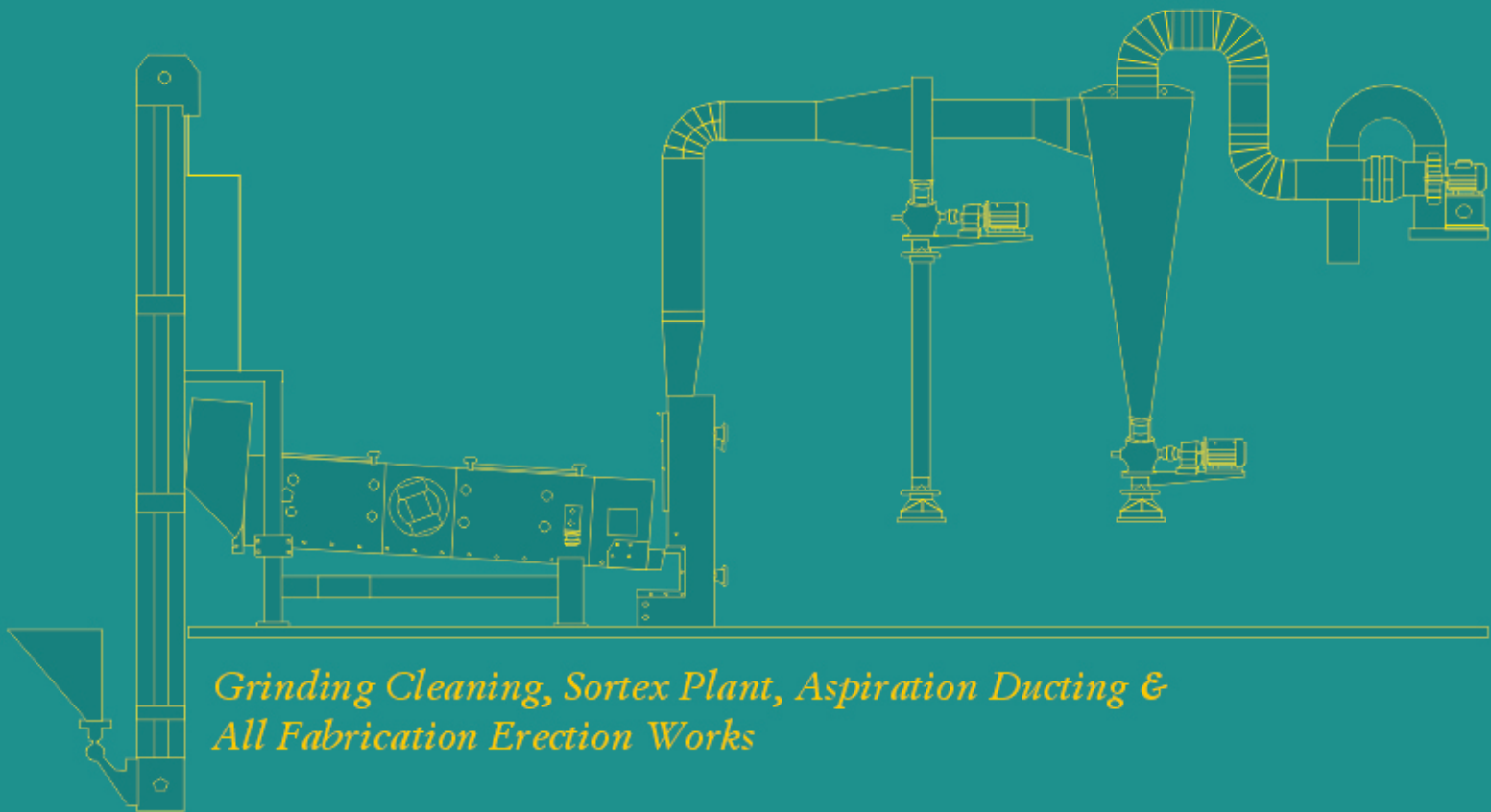
Airbox



Storage Tank (silo)  
3 Ton To As Per Requirement

# 20

# Years Experience



*Grinding Cleaning, Sortex Plant, Aspiration Ducting &  
All Fabrication Erection Works*

**GUJARAT**  
**ENGINEERING WORKS**

+91 99745 82410 +91 7405025166

gujaratengineeringworks106@gmail.com

Plot No. 220, Sidhpur GIDC, Palanpur-Ahmedabad Highway,  
Sidhpur-384 15 1, Dist. Patan, N.Gujarat

gujaratengineeringworks

