



www.rrpcindia.com



RUBBER REGENERATING & PROCESSING CO.

QUICK DELIVERY, HIGH PERFORMANCE & COST EFFECTIVE SOLUTION

Leaders in Elastomeric Spares , Equipment and Accessories for Oil Field Drilling Industries

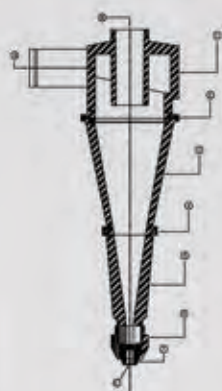
1. SOLID CONTROL EQUIPMENT & SPARES : HYDROCYCLONES

Hydrocyclones are mechanical devices designed for separation of solid particles from the drilling fluids. The separation of solid particles depends on parameters like feed particles size, fluid viscosity, fluid feed pressure (fluid density) and hydrocyclone size. RRP offers hydrocyclones made out of very high quality urethane materials for its desanders and desilters.



1. A. DESANDERS

RRP Desander incorporates 10" & 12" cones, which are manufactured using special grade of cast urethane, highly resistant to heat, abrasion, chemicals, wear, tear, oil and water. The feed entry angle is designed in such a way to ensure effective removal of drilled solids from the drilling fluids, ensuring reduction in the loss of costlier drilling fluids. **Capacity ranging from 500 to 1500 GPM Available.**



10" cones

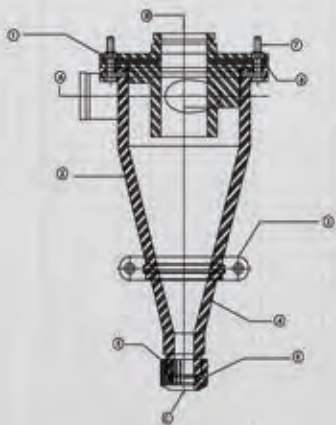
10" SWECO EQUIVALENT			
MARK	DESCRIPTION	QTY	WEIGHT (LBS)
1	10" FEED SECTION	1	80.00
2	10" UPPER CONE CLAMP	1	3.50
3	10" MID-CONE SECTION	1	18.00
4	CONE CLAMP 5" SLIMLINE	1	2.00
5	10" LOWER CONE BODY	1	13.00
6	10" APEX HOLDER	1	3.50
7	APEX VALVE	1	1.00
TOTAL WEIGHT			92.00

PORT SCHEDULE		
MARK	DESCRIPTION	SIZE
A	INLET	5" GROOVE
B	DISCHARGE	5" GROOVE
C	UNDERFLOW	ADJUSTABLE



12" BRANDT EQUIVALENT			
MARK	DESCRIPTION	QTY	WEIGHT (LBS)
1	TOP FLANGE 12"	1	49.00
2	BODY 12"	1	52.00
3	CLAMP 12"	1	2.00
4	CONE APEX 12"	1	7.00
5	APEX HOLDER 12"	1	1.00
6	APEX	1	0.25
7	BOLT	1	
8	NUT & FLATWASHER	1	
TOTAL WEIGHT			112.00

PORT SCHEDULE		
MARK	DESCRIPTION	SIZE
A	INLET	4" GROOVE
B	DISCHARGE	6" GROOVE
C	UNDERFLOW	ADJUSTABLE



12" cones



Desander Assembly Unit

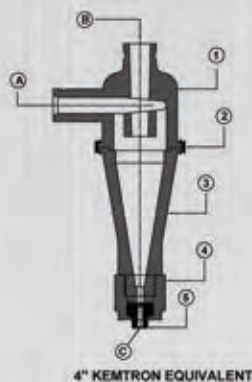
Replacement Cone assemblies for major O.E.M Desander models available

SPECIFICATIONS

DESANDER MODELS

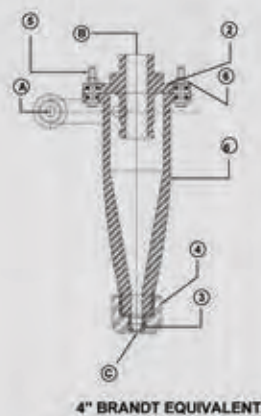
	RRP	BRANDT	HARRISBURG / BAROID / KEMTRON / DERRICK/ SWECO
CONE SIZE	12"	12"	10"
CAPACITY (GPM)	500	500	500
OPERATING PRESSURE (PSI)	30-40	30-40	35-40
PARTICLE SEPARATION (MICRON)	40-100	40-100	40-100
MATERIAL	CAST URETHANE	CAST URETHANE	CAST URETHANE

1. B. DESILTERS



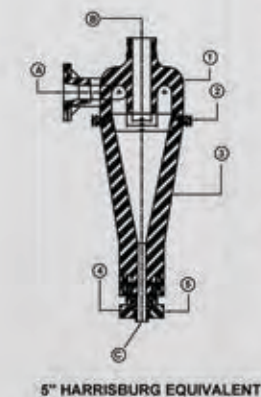
4" KEMTRON EQUIVALENT			
MARK	DESCRIPTION	QTY	WEIGHT (LBS)
1	4" FEED SECTION	1	4.00
2	4" CONE CLAMP	1	1.00
3	4" CONE BODY	1	3.00
4	4" APEX HOLDER	1	1.00
5	APEX VALVE	1	0.05
TOTAL WEIGHT			9.05

PORT SCHEDULE		
MARK	DESCRIPTION	SIZE
A	INLET	2" GROOVE
B	DISCHARGE	2" GROOVE
C	UNDERFLOW	ADJUSTABLE



4" BRANDT EQUIVALENT			
MARK	DESCRIPTION	QTY	WEIGHT (LBS)
1	BODY 4"	1	8.00
2	TOP FLANGE 4"	1	4.00
3	APEX VALVE 4"	1	0.20
4	NUT 4"	1	0.80
5	BOLT	1	0.10
1	NUT	1	0.10
TOTAL WEIGHT			13.20

PORT SCHEDULE		
MARK	DESCRIPTION	SIZE
A	INLET	2" GROOVE
B	DISCHARGE	2" GROOVE
C	UNDERFLOW	ADJUSTABLE



5" HARRISBURG EQUIVALENT (FLANGE TYPE)			
MARK	DESCRIPTION	QTY	WEIGHT (LBS)
1	FLUIDS SPLITTER	1	6.00
2	CLAMP BAND S.S.	1	1.00
3	BOTTOM CONE	1	7.00
4	DISCHARGE INSERT	1	0.25
5	ADJUST NUT	1	0.5
TOTAL WEIGHT			14.75

PORT SCHEDULE		
MARK	DESCRIPTION	SIZE
A	INLET	FLANGED
B	DISCHARGE	2" GROOVE
C	UNDERFLOW	ADJUSTABLE



Desilter Assembly Unit

RRP Desilters are designed to efficiently remove finer drilled solids, sand & silt particle sized solids (10-60 microns) and built on heavy duty oil field type skid. RRP desilters are available in 8-, 12-, 16- and 20 cone models (balanced cone design), in capacity ranging from 480 GPM to 1200 GPM at 75 feet of head.

RRP Desilter incorporates 4" cones, which are manufactured using special grade of cast urethane highly resistant to heat, abrasion, chemicals, wear, tear, oil and water. The feed entry angle is designed in such a way to ensure effective removal of drilled solids, sands and silts from the drilling fluid. The cone assemblies are fitted with unique adjustable bushing at the apex to control the underflow density and spray discharge of the drilled solids.

Replacement Cone assemblies for major O.E.M Desilter models available

SPECIFICATIONS

DESILTER MODELS

	RRP	BRANDT	HARRISBURG	KEMTRON	SWACO	DERRICK
CONE SIZE	4"	4"	4" , 5"	4"	UT4	4"
CAPACITY (GPM)	60	60	50, 80	50	100	60
OPERATING PRESSURE (PSI)	30-40	30-40	30-40	30-40	30-40	30-40
PARTICLE SEPARATION(MICRON)	10-60	10-60	10-60	10-60	10-60	10-60
MATERIAL	cast urethane	cast urethane	cast urethane	cast urethane	cast urethane	cast urethane

2. CEMENTING PLUG

2.A. CONVENTIONAL CEMENTING PLUGS (ALUMINIUM CORE)

RRP Aluminium Core Cementing Plug is manufactured with an aluminium insert and are rubber coated. The top plug is manufactured in black natural rubber and the bottom plug is orange with rupture diaphragm at 200-500 psi differential. Operating range is upto 200 degrees Fahrenheit / 93 degrees Celsius. Plugs can also be ordered in HNBR / AFLAS / Viton allowing for higher operating temperature and are operational in either synthetic or mud fluids. The plug are available in 4.1/2", 5", 5.1/2", 7", 9.5/8", 10.3/4", 13.3/8" (Available in Solid single piece Aluminium core), 16", 18.5/8", 20" (Assembled type Aluminium core design)



2.B. PLASTIC CORE CEMENTING PLUGS

RRP Plastic Core Cementing Plug is designed to replace conventional cementing plug systems. By replacing the aluminium and rubber core material in conventional plugs with a large crushable plastic core most of the rubber is eliminated, allowing the drill bits to fracture the plastic rather than tear the rubber and aluminium thus significantly reducing drill out times. These plugs are completely PDC drillable. The plugs are available in 4.1/2", 5.1/2", 7", 9.5/8", 13.3/8" and these plugs are available in Natural / Nitrile / HNBR / AFLAS (very high temperature) covering based on specific requirements.



2.C. NON-ROTATING CEMENTING PLUGS

RRP Non Rotating Cementing Plugs have been designed to decrease drill out time. This series of cementing plug uses reinforced locking teeth build into the plugs, which lock together between the plug and the float equipment to eliminate rotation of the plug during drill out. The body of the plug is manufactured using a plastic core which eliminates aluminium and large mass of rubber found in conventional cementing plugs are completely P.D.C drillable. The plugs are available in 4.1/2", 5.1/2", 7", 9.5/8", 13.3/8" and these plugs are available in Natural / Nitrile / HNBR / AFLAS (very high temperature) covering based on specific requirements.



3. PIPE WIPERS

RRP Drill pipe Dual Split wipers/ Flat wipers/ Low profile wipers are manufactured using specially designed rubber compound, which offers tremendous resistance to cutting, tearing, abrasion, water and oil-based muds. These tubing wipers are specially designed for the application on drill pipes, which should be above or around the drill pipe just below the rotary table, where a solid master bushing is used. When the drill pipe is removed from the well, the wiper will “clean” the mud from the pipe and return it to the casing.

3.A. DUAL SPLIT / REGULAR DUAL WIPER

DESCRIPTION	MATERIAL
14" DUAL SPLIT WIPER	NATURAL RUBBER/ NITRILE
17" DUAL SPLIT WIPER	NATURAL RUBBER/ NITRILE
19" DUAL SPLIT WIPER	NATURAL RUBBER/ NITRILE
22" DUAL SPLIT WIPER	NATURAL RUBBER/ NITRILE
24" DUAL SPLIT WIPER	NATURAL RUBBER/ NITRILE
26" DUAL SPLIT WIPER	NATURAL RUBBER/ NITRILE

3.B. FLAT WIPERS

DESCRIPTION	MATERIAL
9" FLAT PIPE WIPER	NATURAL RUBBER/ NITRILE
12" FLAT PIPE WIPER	NATURAL RUBBER/ NITRILE
14" FLAT PIPE WIPER	NATURAL RUBBER/ NITRILE
17" FLAT PIPE WIPER	NATURAL RUBBER/ NITRILE
19" FLAT PIPE WIPER	NATURAL RUBBER/ NITRILE
22" FLAT PIPE WIPER	NATURAL RUBBER/ NITRILE
24" FLAT PIPE WIPER	NATURAL RUBBER/ NITRILE
26" FLAT PIPE WIPER	NATURAL RUBBER/ NITRILE
36" FLAT PIPE WIPER	NATURAL RUBBER/ NITRILE

3.C. LOW PROFILE WIPERS

DESCRIPTION	MATERIAL
9" LOW PROFILE WIPER (Rounded Edge)	NATURAL RUBBER/ NITRILE



- PIPE WIPERS ARE AVAILABLE IN MOST ID SIZES TO MEET YOUR SPECIFIC NEEDS
- ALL PIPE WIPERS ARE MOLDED WITH SPRING STEEL REINFORCED RINGS.

4. KELLY WIPERS

KELLY WIPERS

RRP Kelly wipers are manufactured using specially designed rubber compound with a bonded steel ring for extra strength and wear, which offers tremendous resistance and resilience to cutting, tearing, abrasion with water and oil-based mud.

The Kelly Wipers are available for different sizes hexagonal and square Kelly's to fit the bushings.



5. STRIPPER RUBBERS & ROD STRIPPERS

5.A. GUIBERSON TYPE

DESCRIPTION

DESCRIPTION	MATERIAL
ROTATING HEAD STRIPPER RUBBER, 2-1/16"	NATURAL RUBBER/ NITRILE
ROTATING HEAD STRIPPER RUBBER, 2-3/8"	NATURAL RUBBER/ NITRILE
ROTATING HEAD STRIPPER RUBBER, 2-7/8"	NATURAL RUBBER/ NITRILE
ROTATING HEAD STRIPPER RUBBER, 3-1/2"	NATURAL RUBBER/ NITRILE
ROTATING HEAD STRIPPER RUBBER, 4-1/2"	NATURAL RUBBER/ NITRILE

MATERIAL



5.B. SHORT HALL STRIPPER RUBBER

DESCRIPTION

DESCRIPTION	MATERIAL
TEXAS SHORT HALL STRIPPER RUBBER, 2-1/16"	NATURAL RUBBER/ NITRILE
TEXAS SHORT HALL STRIPPER RUBBER, 2-3/8"	NATURAL RUBBER/ NITRILE
TEXAS SHORT HALL STRIPPER RUBBER, 2-7/8"	NATURAL RUBBER/ NITRILE
TEXAS SHORT HALL STRIPPER RUBBER, 3-1/2"	NATURAL RUBBER/ NITRILE

MATERIAL



5.C. DOUBLE E- STRIPPER RUBBERS

DESCRIPTION

DESCRIPTION	MATERIAL
DOUBLE E ROD STRIPPER, 2-1/16"	NATURAL RUBBER/ NITRILE
DOUBLE E ROD STRIPPER, 2-3/8"	NATURAL RUBBER/ NITRILE
DOUBLE E ROD STRIPPER, 2-7/8"	NATURAL RUBBER/ NITRILE

MATERIAL



5.D. OIL SAVER RUBBER

DESCRIPTION

DESCRIPTION	MATERIAL
OIL SAVER RUBBER, BLACK	NATURAL RUBBER/ NITRILE
OIL SAVER RUBBER, BLUE	NATURAL RUBBER/ NITRILE
OIL SAVER RUBBER, RED	NATURAL RUBBER/ NITRILE
OIL SAVER RUBBER, GREEN	NATURAL RUBBER/ NITRILE

MATERIAL



6. THREAD & TUBULAR PROTECTION SYSTEM

6.A. DRILL PIPE PROTECTORS (SPIRAL FLUTED)

RRP designed one-piece Drill Pipe Protectors/ Casing protectors are manufactured by using high quality spring steel cage bonded with superior quality elastomers having horizontal internal grooves. This provides greater gripping power to the drill pipe protectors while retaining its shape.

Spiral fluted design allows streamlined flow of the drilling fluid causing least damage to the elastomeric portion.

Features:

- RRP protector eliminates tool joint abrasions on the casing and stripping off in the well that can cause expensive shutdowns
- Different grades of elastomer are being used to make the protectors resistance to temperature and chemical attacks and oil absorption
- More holding power. The steel cage is compressed onto the drill pipe by means of a clamping tool, putting more force into the holding power of the protector
- Available in different sizes of drill pipes with stainless steel locking pins



6.B. CLAMP ON CASING PROTECTOR

RRP Clamp on Casing Protectors is available in both high quality urethane and superior grade of tough polymers. They are bonded on special steel cage for the greater grip. The Casing Protectors have specially designed steel handles, which ensures quick gripping and removing from the casing threads.

Features:

- RRP Casing Protector eliminates abrasion on the threads of the casing pipe while transportation and guarantee total threaded ends protection against corrosion and stresses that may occur during handling
- More holding power. The steel cage is compressed onto the casing pipes by means of a steel clamps, putting more force into the holding power of the protector
- Clamp on casing protectors in polyurethane are available in sizes 4.1/2", 5", 5.1/2", 7", 7.5/8", 7.3/4", 9.5/8", 10.3/4", 13.3/8", 13.1/2", 18.5/8", 20", 24" & 30" casing sizes.



6.C. DRILL PIPE/PIN & BOX PROTECTORS (POLYMERIC)

RRP special achievement is in developing a very tough polymer for the manufacture of polymeric Drill Pipe/ Pin & Box Protectors. They are light in weight as manufactured using specially identified polymer, thus having an edge over the conventional metallic protectors. Our protectors don't get stuck up with the thread after long storage, which happens otherwise with the metallic protector out of rusting.

Features :

- Light weight design
- Guarantee of total threaded ends protection against corrosion and stresses which may occur during handling and stocking.
- They are available in various sizes of Drill Pipe / Pin & Boxes.



7. BOP “F” TYPE CUP TESTERS

RRP F-type cup tester assemblies are designed to be attached to the drill string and lowered into the casing beneath the wellhead to pressure test the blowout preventer stack and the wellhead.

Features and Benefits :

Sizes, Pressure Ratings, and Connections for Every Job -

The cup tester assemblies are rated to the API standard mill test pressure for the casing sizes up to 10,000 psi. Special reinforcing can be offered on all cup sizes and casing weight ranges to hold up to 15,000 psi.

RRP 'F' Type Cup Testers, Assemblies are available in sizes 5.1/2", 7", 9.5/8", 13.3/8". Cups are manufactured by using very tough specially designed synthetic rubber strongly bonded with metal cores to sustain very high testing pressure and to restrain its original shape and size after prolonged test pressure is released.



8. PULSATION DIAPHRAGM & STABILISER SLEEVES

RRP Pulsation dampener also called Elastomeric diaphragms (bladder) is designed as a single unit to give maximum service life in comparison to the conventional bladders, which have pre-vulcanized sections and provide low service life. The bladders while flexing, tend to fold rather than wrinkle, thereby reducing the points of stress concentration and practically eliminating elastomeric fatigue. Also the extrusion through the bottom flange connection is prevented by molding a steel insert into the middle of the diaphragm.

RRP dampeners are manufactured using a blend of hydrogenated nitrile rubber, which is suitable for water and most hydrocarbons with a continuous operating temperature range of -25° to 250°F.

Available for for models K-10-5000 and K-20-5000 of HydriL dampeners.

Stabilizer sleeves for K10 and K20 style also available separately for the bladders.



9. MUD PUMP LINERS

PUMP	PUMP MODEL	LINER SIZES AVAILABLE	LINER TYPES
EMSCO TRIPLEX	F-350/500/650 F-800/1000 FB-1300/1600	4" 4.1/2"	BI-METALLIC LINERS
GARDNER DENVER	PZ-7/8/9 PZ-10/11	5" 5.1/2"	
NATIONAL	8P-80/ 9P-100 10P-130	6" 6.1/2"	CERAMIC LINERS
OILWELL	A350 PT/ 560 PT/ 600 PT A850 PT/ 1100 PT A 1400 PT/ A 1700 PT	7"	



10. MUD PUMP FLUID END PARTS AND EXPENDABLES

Mud Pump fluid end parts and expendables of pumps like Emsco, NOV, Gardner Denver, National, Oilwell, IDECO and all other popular make and models are available at our associate concern Sudarshan Elastomers Pvt. Ltd in Surat, Gujrat, India. For more details visit our website: www.sudarshanindia.com

Product Range:

Rubber Bonded Pistons, Assembled Pistons, Bonded Urethane Pistons, High Temperature High Pressure application Pistons, Piston rubber assemblies, Valves, Valves Seat, Valve Assemblies, Valve Disc, Valve guide, Liners, Liner Gaskets



11. LINER & VALVE COVER GASKET

RRP Valve Covers & Gaskets are available in different polymers as per the application requirements for various models of pumps. These have been developed after years of field research and lab development, making them as one of the best in the market.

Product type	Pump Model	Material Composition Possibility
Valve cover gasket, Cylinder head gasket, Discharge manifold gasket, Discharge seal, Suction manifold gasket, Liner gasket, Liner wear plate gasket, spacer seal, Module seal, Connection to adaptor	EMSCO TRIPLEX: F-350/500/650 F-800/1000 FB-1300/1600	Polyurethane, Rubber, Canvas-Rubber combination, and Canvas impregnated
	GARDNER DENVER: PZ-7/8/9 PZ-10/11	
	NATIONAL : 8P-80/ 9P-100 10P-130	
	OILWELL: A350 PT/ 560 PT/ 600 PT A850 PT/ 1100 PT A 1400 PT/ A 1700 PT	



12. PLUNGER PUMP SPARES

Replacement Plunger Pump parts and expendables of pumps like BJ, Halliburton and NOV plunger pump are available

Product Range:

Plungers, Valve Assemblies, Valve Body, Valve seat, Valve insert, Valve disc, Plunger packing's etc.



13. PLUNGER PACKINGS

RRP Plunger packing are designed to give positive high-pressure sealing, low wear and long service life. The packing utilizes a series of seal rings molded from rubber impregnated high strength fabric. These are available in various design types for different pumping liquids, temperatures and pressure rating in various sizes.

We offer a variety of different packing's that will suit individual users needs. Our packing's are available in Teflon, Kevlar, Adjustable, Non-Adjustable (Style 838), Spring Loaded, Utex style packings : like SF, SSF, ASF, JFD design packing's for various pressure and temperature range and chemical resistivity.



14. TONG PULL BACKS

RRP tong pull-backs are designed for rugged use and easy installation to save the crew time by automatically repositioning the tong for another take up. Especially beneficial when running casing.. They are made from superior elastic oil-resistance rubber compound, with non-spark bronze eyes tested for high stress and elasticity.



15. ELEVATOR BALANCING STRAP

RRP elevator balancing straps are Designed primarily to make elevators easier to handle. Primarily for centre latched elevators to keep them in proper position.

It is made of the finest quality molded rubber for long service life. One end of the rubber strap is equipped with an end attachment for the handle of the elevator and, the other end consists of U-Bolt Clamp for attachment to the elevator link.



16. SWIVEL SPARES

16.A. SWIVEL WASH PIPE

RRP swivel wash pipes are manufactured using forged stainless steel/alloy steel, hard coated for long life. RRP manufactures both chrome plated and Tungsten carbides coated wash pipes. The wash pipes are ground to mirror finish. Durability of tungsten carbide coated washpipes are longer compared to case hardened/ chrome plated washpipes.



16.B. SWIVEL WASH PIPE PACKINGS

RRP Washpipe packings are available for various models of Swivels. They are made with very high strength fabric coated with different grade of polymers for different applications.



16.C. VICTUALIC COUPLINGS

RRP Victaulic couplings are manufactured using high quality malleable cast iron. It is available in both clamp type design and two bolt type design, with gaskets made out of very high quality rubber to ensure proper gripping and sealing. All standard and sizes from 1" to 8" are available. Clamp type couplings are available in sizes 2" & 4" and the rest in two bolt type clamping.



17. STUFFING BOX PACKINGS - CONE PACKINGS

Different varieties of Cone packing's available for "Polish Rod Stuffing Box" to fit Huber – Hercules Stuffing Boxes

Available for different conditions:

1. Soft Rubber Packing's – For high oil applications. Maximum application temperature 100°C).
2. Hard Rubber Packing's - For high water and low oil ratios. Maximum application temperature 80°C

Cones for all demanding applications available.





Donut packing



Bridge Gate gasket



Seating cups -Nylon/Fabric- Rubber



Bonnet Door seals



Custom Moulded Rubber products



Flexible Couplings



Custom Bonded Wheels



Other Custom Molded PU products



Packing's and Gasket's

ABOUT US

RRP was founded in the 1963 and since then it is engaged in the manufacturing of consistently high quality and reliable accessories, spares and equipments for oilwell drilling and production industries. We at RRP aim at enhancing customer satisfaction by achieving Quality, Timely delivery, Competitive pricing through continual improvement in our technology and process. We shall stress on quality management principles with constant upgradation of manufacturing capability and enhancement of employees skill sets.

OUR EXPORTS WORLD WIDE

➔ HOUSTON, USA

➔ POLAND, EUROPE

➔ KUWAIT, UAE

➔ EDMONTON, CANADA

➔ ABERDEEN, UNITED KINGDOM

➔ ALGERIA , AFRICA

➔ HOLLAND , EUROPE

➔ KAZAKHSTAN, RUSSIA

➔ SINGAPORE, SOUTH EAST ASIA

➔ GERMANY, EUROPE

➔ DUBAI, UAE

➔ MALAYSIA, SOUTH EAST ASIA



Leaders in Elastomeric Spares , Equipment and Accessories for Oil Field Drilling Industries



Designed & Printed by smeindiasolution.com; Mob : 9831501493

Phone : +91 33 22158100 / 7053 / 5186
Mobile : +91 9903034679 / 9874184464
Fax : +91 33-22157647

www.rrpcindia.com
info@rrpcindia.com / sales@sudarshanindia.com

402 A, Kamalalaya Centre, (4th Floor), 156 A Lenin Sarani, Kolkata - 700013, West Bengal, India