

# PIPES & PIPE FITTINGS

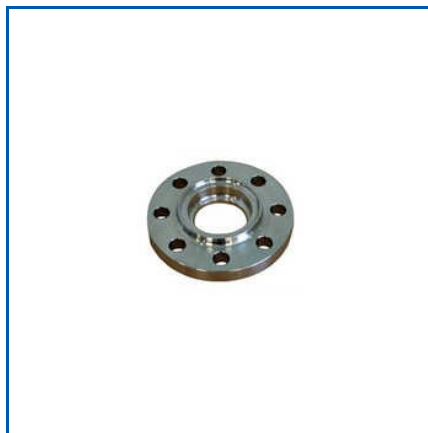
MAKING YOUR BELIEF STRONG IN US, AFTER EVERY DEAL



4 Inch Pipe Nipple, Blind Flanges, Butt Weld Split Tee, Carbon Steel Pipe Cross, Carbon Steel Pipe Elbow, Carbon Steel Pipe End Cap, Carbon Steel Pipe Reducer, Carbon Steel Pipe Tee, Carbon Pipe Bends, Lap Joint Flanges, Pipe Outlet Fittings, Pipe Reducer, Plate Flanges, SS Pipe Nipple, SS Stub End Lap Joint, etc.



**LAP JOINT FLANGES**



**SOCKET WELD FLANGES**



**BLIND FLANGES**

## About Us

Montex Forge Industries has become a reliable producer and distributor of superior quality of forged and pipe fitting components. The company provides a full line of products including Butt Weld Split Tees, Carbon Steel Pipe Elbows, Pipe Reducers, Swage Nipples and Blind Flanges among other important piping products due to the substantial base that has been developed based on engineering excellence and knowledge in the industry. We sell our products in the oil and gas, petrochemicals, power generation, construction and heavy engineering industries.

We believe in accuracy production and strictly follow the national and international quality standards. All its products are made to be durable, dimensionally accurate, and high performance in the challenging working conditions. Through the use of sophisticated manufacturing and stringent quality checks, we are able to offer the client the required precise specifications of each component.

## Key Facts

<b>No of Staff</b>	40
<b>Year of Establishment</b>	2013
<b>No of Production Lines</b>	1
<b>OEM Service Provided</b>	No

## Our Products



**Socket Weld Fittings**



**SS Pipe Nipple**



**Threaded Pipe Fittings**



**Stainless Steel Pipe End Cap**



**Plate Flanges**



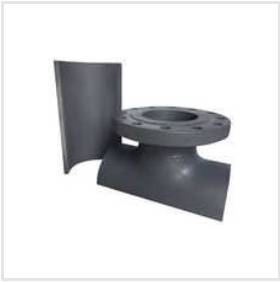
**Slip On Flange**



**Threaded Flanges**



**Weld Neck Flange**



**Butt Weld Split Tee**



**4 Inch Pipe Nipple**



**Swage Nipple**



**Stainless Steel Pipe Reducer**



**Stainless Steel Pipe Tee**



**Pipe Outlet Fittings**



**Carbon Steel Pipe End Cap**

ADDRESS



Unit No. B-44, Silver Springs  
Complex, Plot No. G-6 M. I. D. C.,  
Taloja, Opposite Dena Bank,  
Raigad, Maharashtra, India  
(410208).



EMAIL

[info@montexforge.com](mailto:info@montexforge.com)



MOBILE

+919819949932



WEBSITE

[www.montexforge.in](http://www.montexforge.in)

KEY PERSONNEL

**CHANDRA PRAKASH Dewasi**  
(PROPRIETOR)