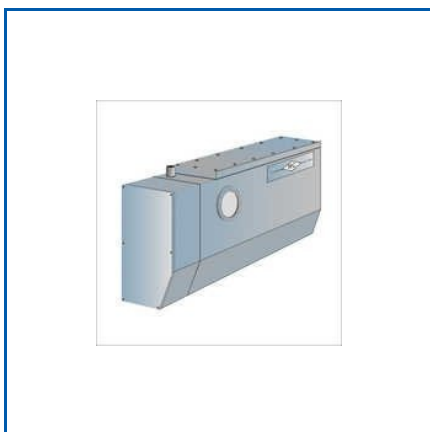


Manufacturer , Service Provider , Exporter and Supplier

POT Strainer



E. Hot Water Generator, Electric Duct Heaters, Electric Geyser, Electric Hot Water Generators, Electric Industrial Geyser, Gas Fired Generator, Hot Water Generator, Industrial Ultrasonic Humidifier, POT Strainer, Pan Type Humidifier, Pan Type Humidifier Steam Generator, Storage Tanks, Ultra Sonic Humidifier, Ultrasonic Mist Humidifier, Y Strainer, etc.



PAN TYPE HUMIDIFIER



INDUSTRIAL ULTRASONIC HUMIDIFIER



PAN TYPE HUMIDIFIER STEAM GENERATOR

About Us

Capitalizing on the engineering expertise of a team of competent engineers, we, Rapid Cool, are manufacturing seamless quality appliances for household and industrial applications. We are a nationally acclaimed manufacturer, exporter, service provider and supplier of Ultra Sonic humidifier, Pan type humidifier, Electric hot water generator, Oil fire hot water generator, Gas fired hot water generator, Y-Strainers, Pot Strainers, Duct heaters, Low Steam generators, Stainless steel tanks, Mild steel tanks, LED Lights, etc.

The competitiveness in the field of consumer electronics and industrial supplies is quite evident. We, Rapid Cool are an emulous Manufacturer, Service Provider, Exporter and Supplier of Ultra Sonic humidifier, Pan type humidifier, Electric hot water generator, Oil fire hot water generator, Gas fired hot water generator, Y-Strainers, Pot Strainers, Duct heaters and other products. Based in Mayapuri Industrial Area, Delhi, India, our products are widely accepted for their inarguable quality and performance. Apart, our electrical boards, energy saving systems and heating components have received tremendous appreciation. Our humidity generator delivers pure safe drinking water and has appreciable water production capacity, high class filters, housing material and standard dimensions.

Key Facts

Nature of Business	Manufacturer
Primary Competitive Advantages	blower heater, Round duct heater, hot air generators, dehumidifying equipment, portable dehumidifier, commercial dehumidifiers, refrigerated dehumidifier, bladder tank, pressurized expansion tank, closed expansion Tank
No of Staff	90
Year of Establishment	1973
OEM Service Provided	No
Product Range	blower heater, Round duct heater, hot air generators, dehumidifying equipment, portable dehumidifier, commercial dehumidifiers, refrigerated dehumidifier, bladder tank, pressurized expansion tank, closed expansion Tank

Our Products



Hot Water Generator



Electric Geyser



Gas Fired Generator



Electric Duct Heaters



Electric Hot Water Generators



Pan Type Humidifier



Industrial Ultrasonic Humidifier



POT Strainer



E. Hot Water Generator



Electric Industrial Geyser



Storage Tanks



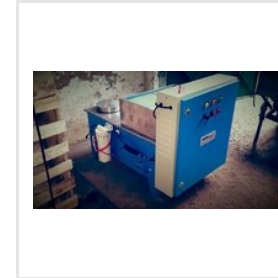
Pan Type Humidifier Steam Generator



Ultrasonic Mist Humidifier



Y Strainer



Ultra Sonic Humidifier

ADDRESS



**B-151, Mayapuri, Phase-1,
Industrial Area, New Delhi, Delhi,
India (110064).**

EMAIL



enquiry@rapidcool.co.in

MOBILE



+919971998827

WEBSITE



www.rapidcoolhumidifier.com

KEY PERSONNEL
Viresh Riyat
(PARTNER)