

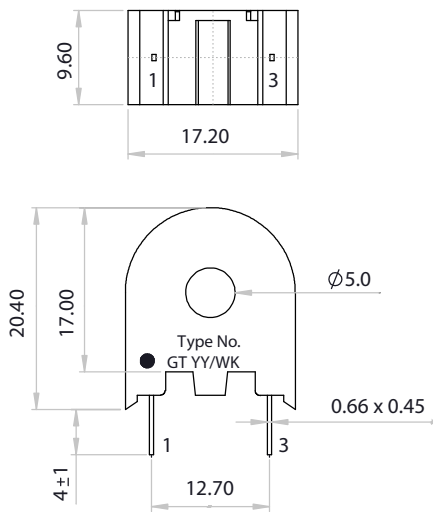
High Precision - Current Transformer

Features:

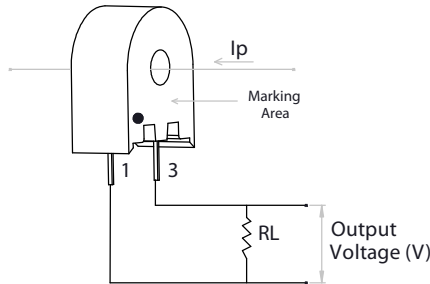
- ◆ Primary Current Range 10A and 15A
- ◆ Operating Frequency 50 / 60Hz
- ◆ Class 0.2 Accuracy typical
- ◆ Dielectric Withstand Voltage 2.5kVrms
- ◆ Operating temperature range -40°C to +85°C
- ◆ Encapsulated & PCB Mountable
- ◆ All materials are UL approved



Mechanical Drawing

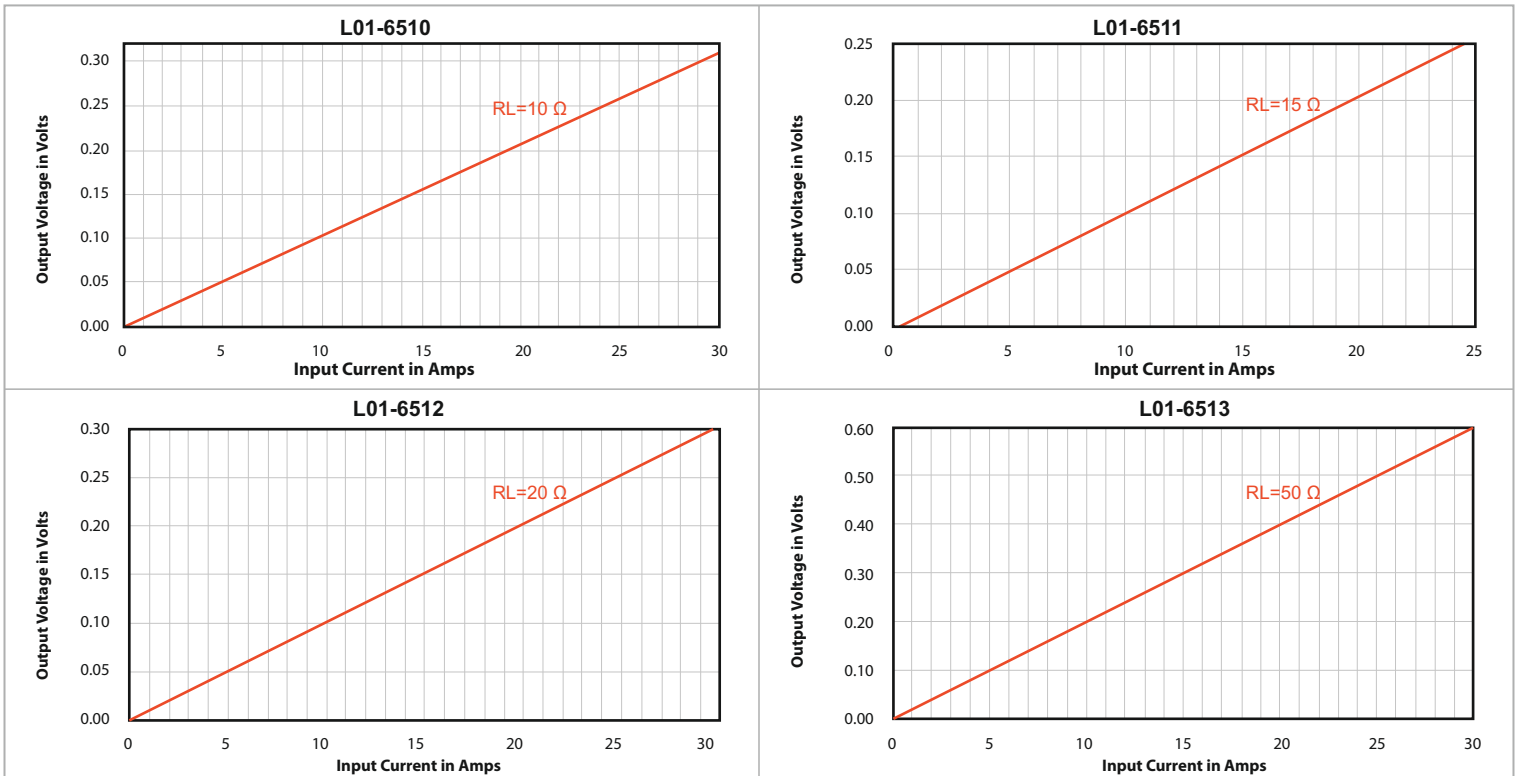


Electrical Specification @ 20°C					
Type Number	Turns Ratio	Burden (Ω)	Rated Current in Amps	Max. Current in Amps	Winding Resistance (Ω) Max.
L01-6510	1000:1	10	10	20	60
L01-6511	1500:1	15	10	20	93
L01-6512	2000:1	20	15	25	222
L01-6513	2500:1	50	15	25	290



All Dimensions are in mm
Linear dimension tolerance $\pm 0.2\text{mm}$

Input Current Vs Output Voltage



Product innovation is a part of continuous development hence specifications are subject to change without notice

Transforming Power into Quality!