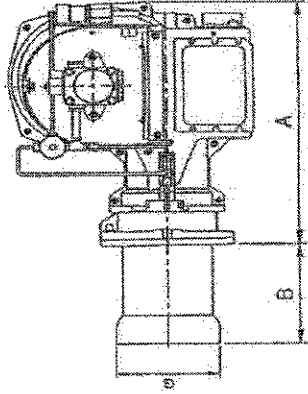
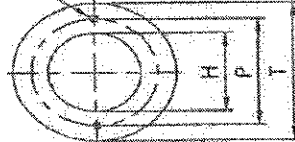
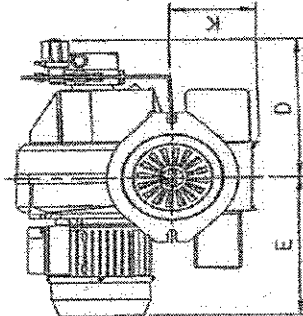
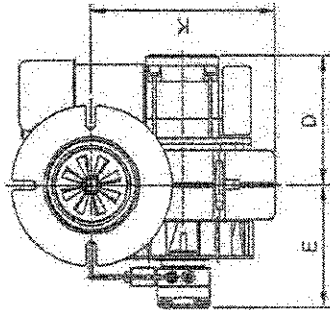
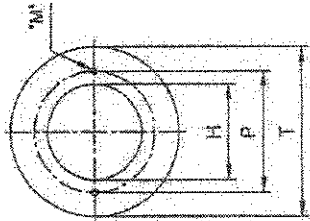
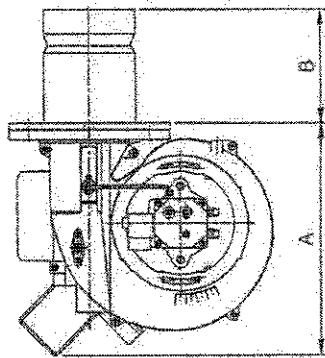


GPM 5

GPM 8-16

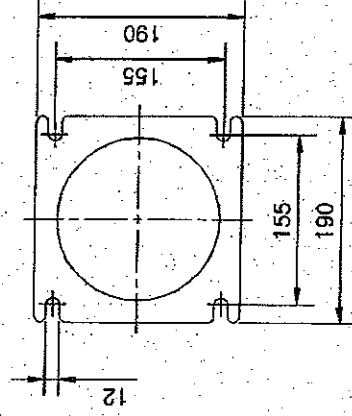
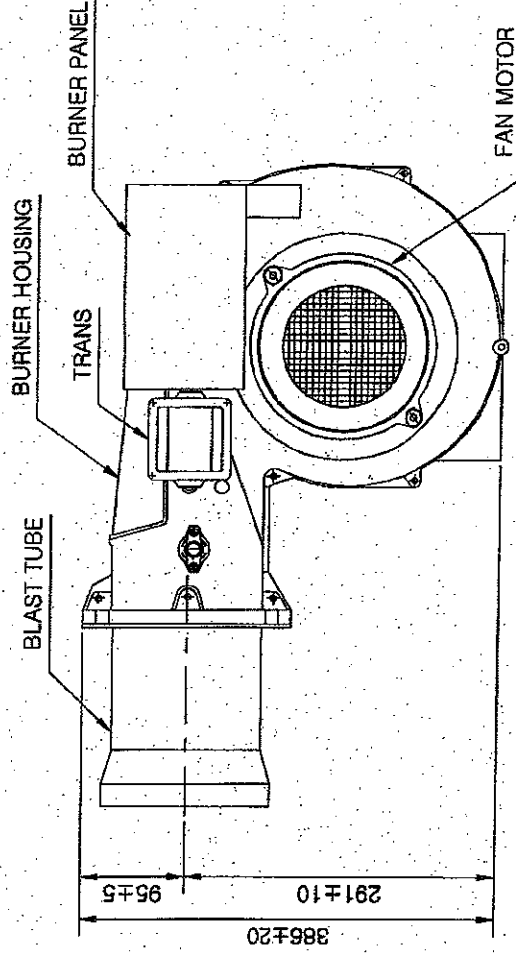
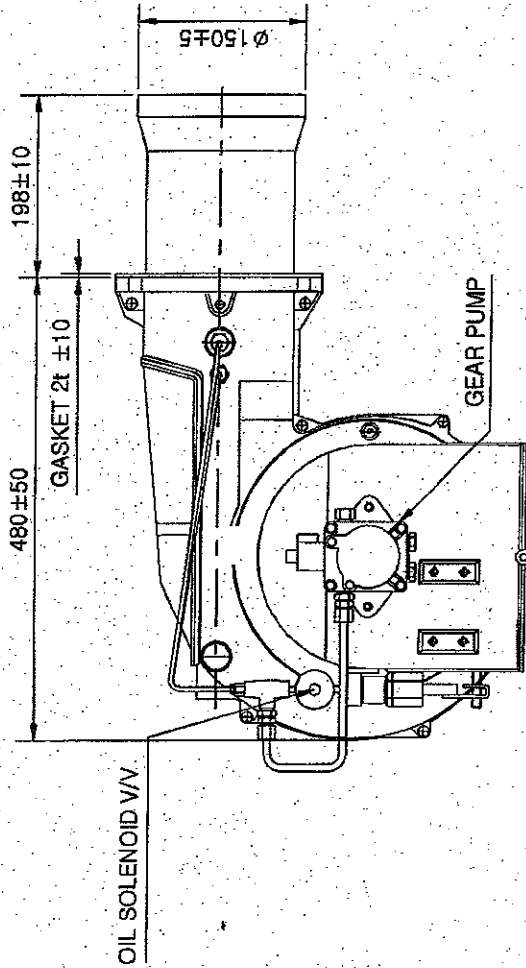


GPM 20S

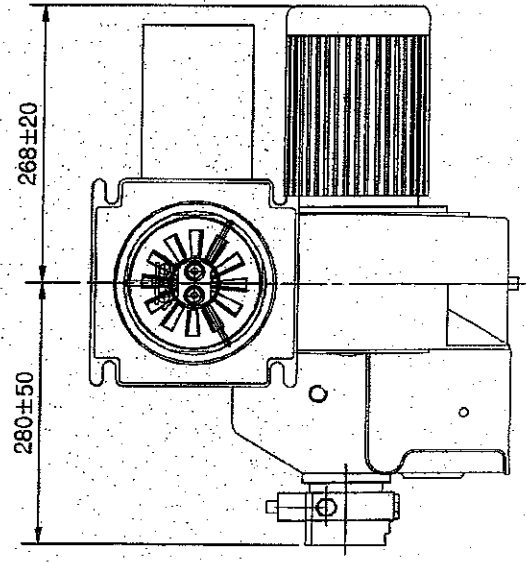
GPM20-32

MODEL	A	B	D	E	G	H	M	K	P	T
GPM 5	192	140	164	137	89	132		165	150	180
GPM 8	253	149	149	147	83	100	2-M8	180	150	200
GPM 12ULB	253	210	149	147	102	110	2-M8	180	150	200
GPM 16LB	272	208	149	147	114	125	2-M8	180	150	200
GPM 20SLB	268	215	160	165	114	125	2-M8	230	150	200
GPM 20LB	355	215	199	245	140	150	2-M8	230	190	210
GPM 25LB	355	215	235	224	140	150	2-M10	230	190	210
GPM 32LB	355	215	235	224	140	150	2-M10	114	190	210

NO	변경 날짜	변경 사항	변경 사유	확인
△				



BURNER FLANGE

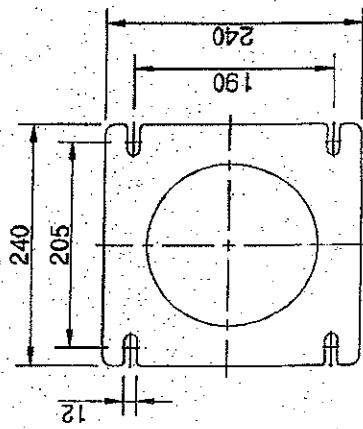
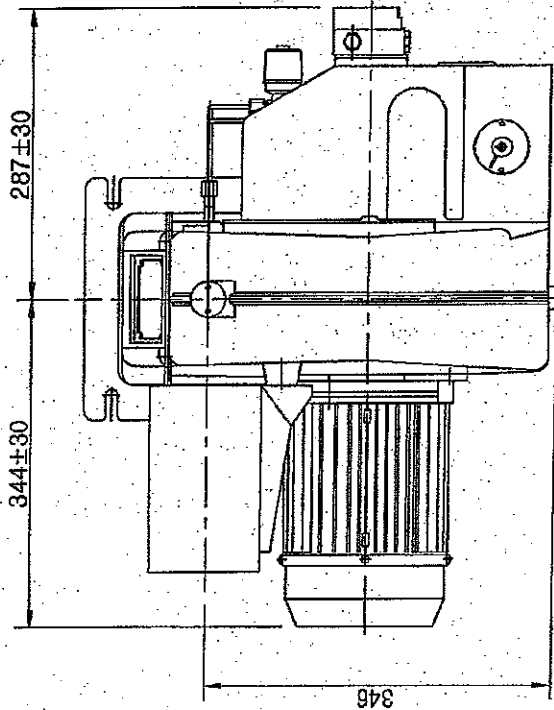
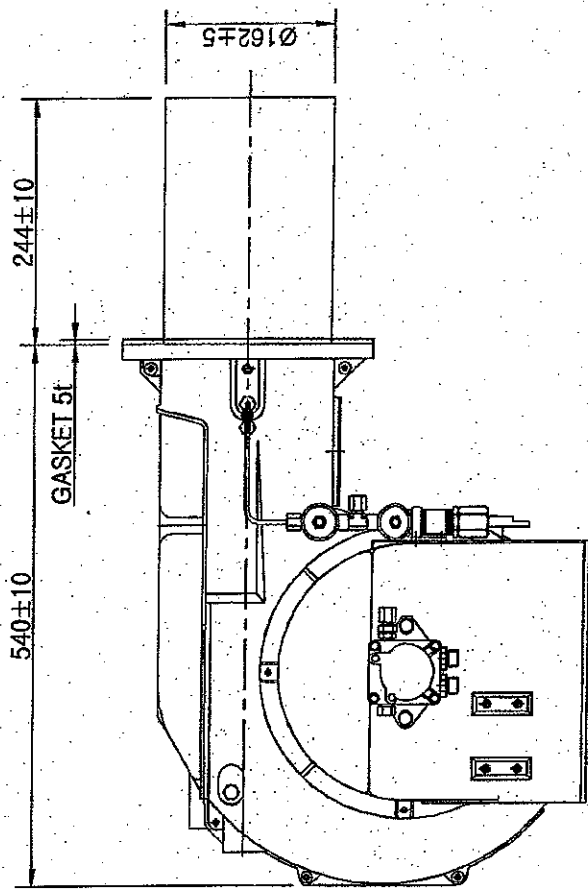


POS	PART NO.	DESCRIPTION	QTY	MATERIAL	SIZE
SCALE	N/S	UNIT	MM	DATE	08.07.15
MODEL	08.07.15	PG4 (HIGH/LOW)			
LEE.S.H					
DRAWING	DESIGN	CHECK	APPROVAL	DRAWING NAME	OVERALL DIMENSION
				DRAWING NO	REV.
				ED 208 - 649	1



SOOKOOK

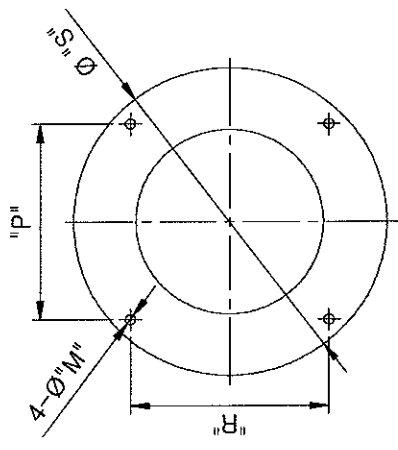
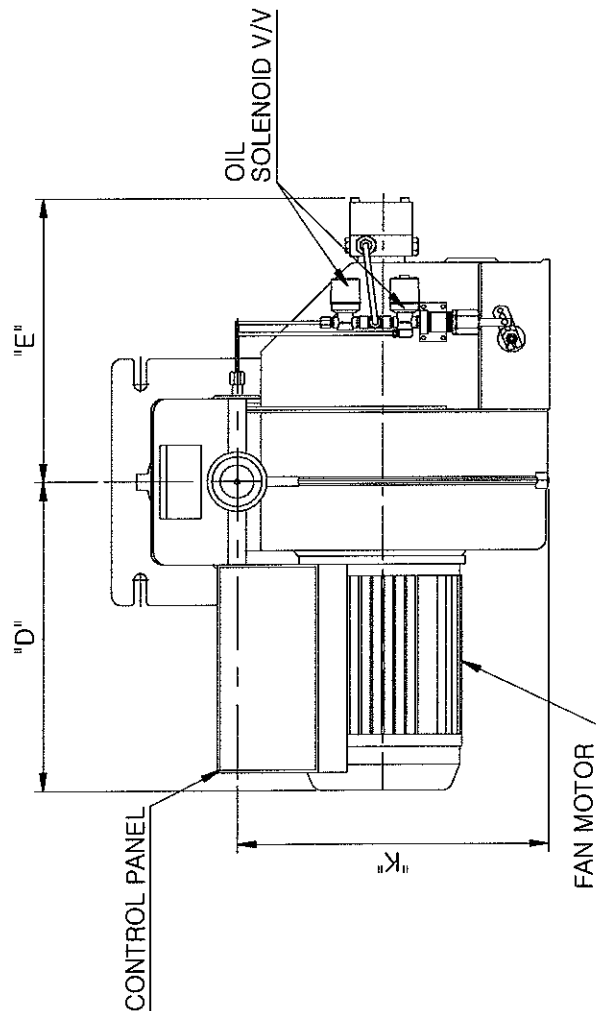
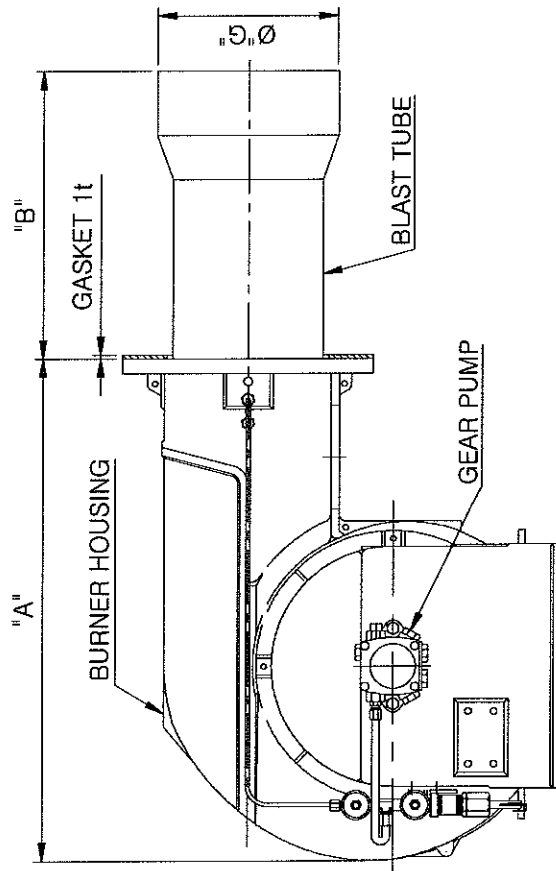
NO	변경사항	작성함	부경사유	확인
△				



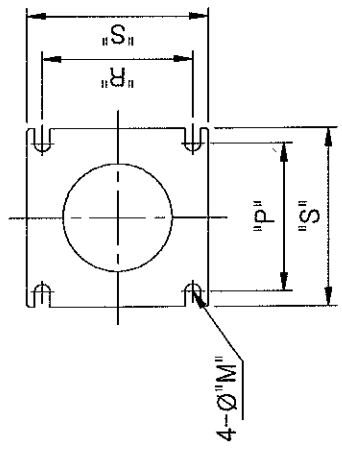
BURNER FLANGE

1																			
POS	PART NO	DESCRIPTION		QTY	MATERIAL	SIZE													
SCALE	N/S	UNIT	MM	DATE	10.03.08	MODEL	PG5N (HI/LOW)												
LEE S.H.						DRAWING NAME	OIL BURNER DIMENSIONS												
DRAWING	DESIGN	CHECK	APPROVAL			DRAWING NO	ED 210 - 094	REV.	0										
SOOKOOK																			

NO	변경일자	변경사항	변경사유	확인
1				



BURNER FLANGE



BURNER FLANGE

MODEL	A	B	D	E	G	K	P	R	S
PG9N	541	244	344	292	184	346	205	205	240
PG12N	922	285	390	349	234	375	226	226	300
PG28	934	345	540	550	290	468	218	318	500
PG36	934	365	540	550	330	468	318	318	500

NOTE
1. POSITION OF PARTS AND DIMANSIONS OF
BURNER CAN BE CHANGED BY SPECIFICATION

POS	PART NO	DESCRIPTION	Q'TY	MATERIAL	SIZE		
SCALE	N/S	UNIT	MM	DATE	07.11.14	MODEL	P-TYPE OIL(HI/LOW) BURNER
LEE.S.H						DRAWING	BURNER DIMENSION
DRAWING	DESIGN	CHECK	APPROVAL			DRAWING	NO
						DRAWING	NO
						DRAWING	NO



SOOKOOK

E D 2 0 7 - 6 7 0

REV. 0