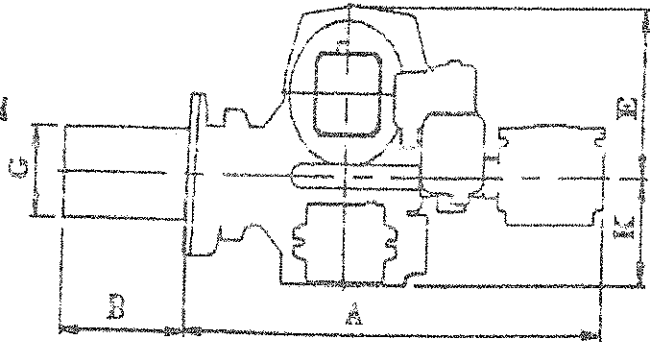
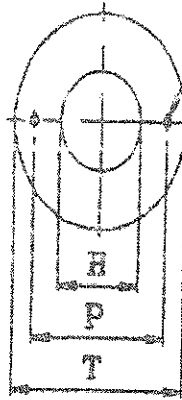
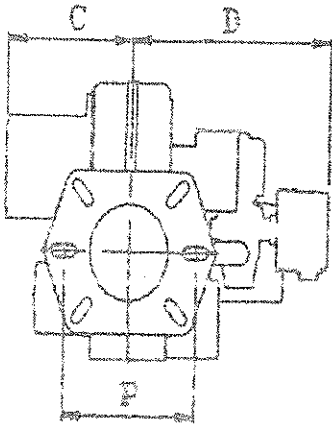
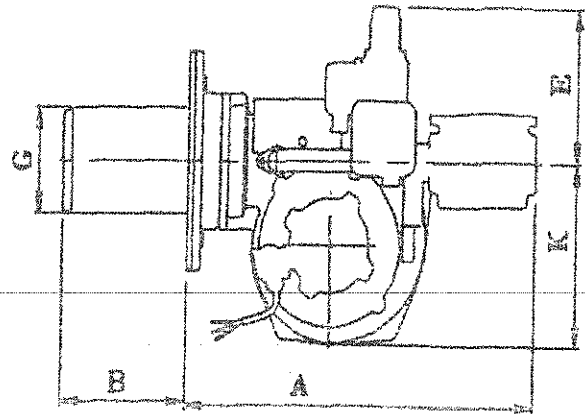
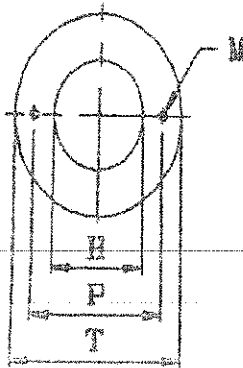
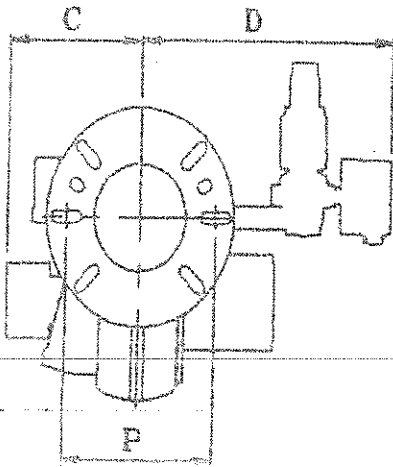


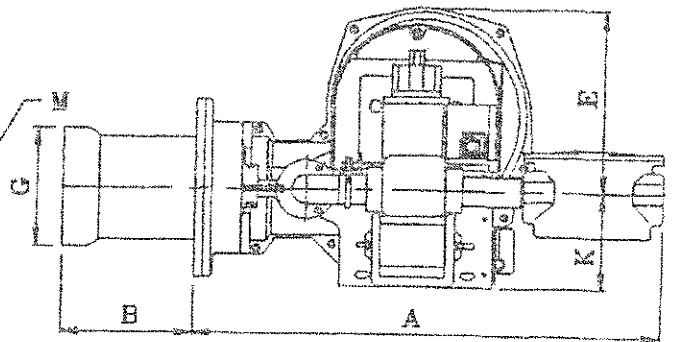
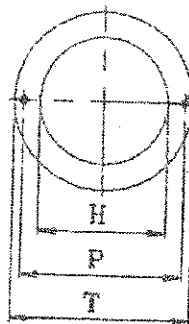
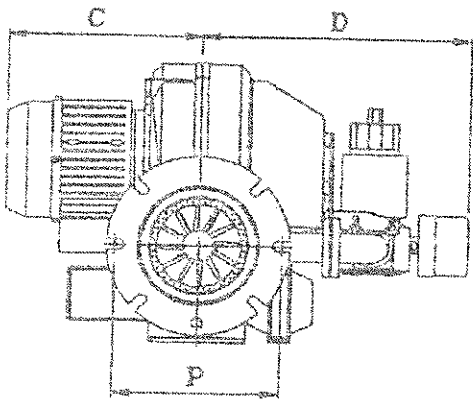
MAXI 4-6



MAXI 8-20S

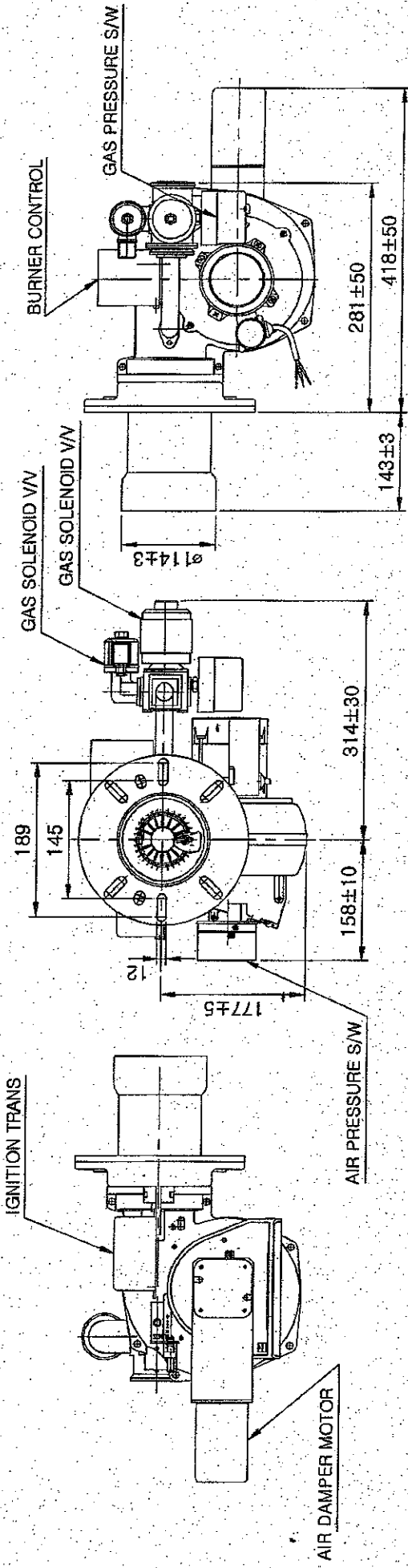


MAXI 20-25



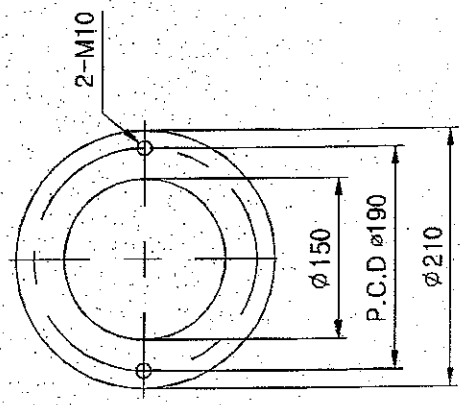
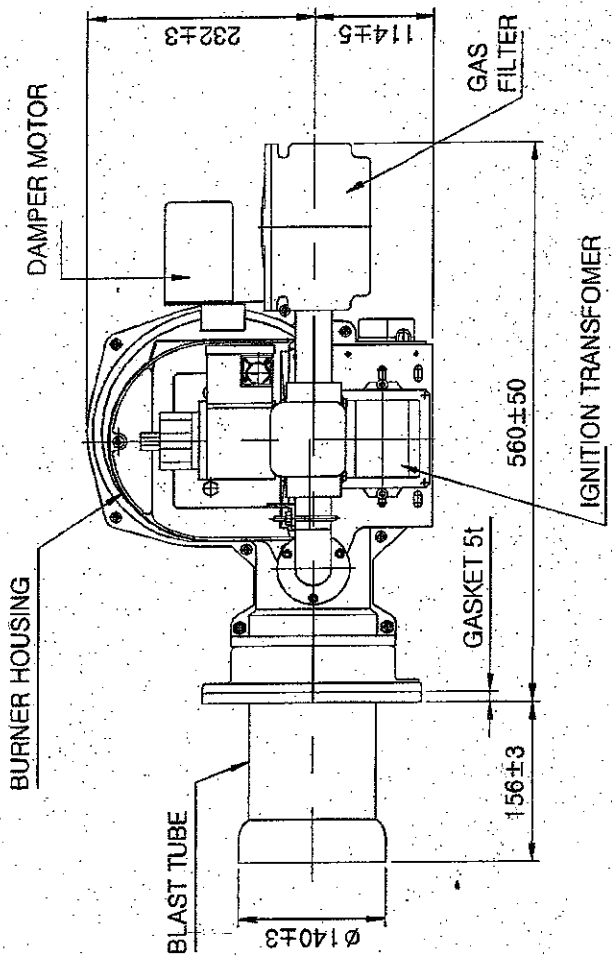
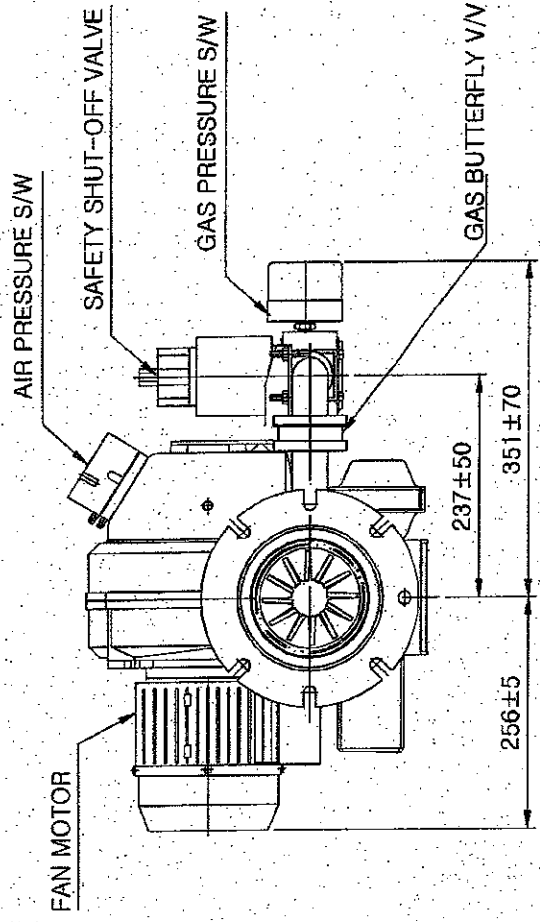
MODEL	A	B	C	D	E	G	H	K	M	P	T
MAXI 4	475	143	137	217	154	83	90	96	2-M8	150	14
MAXI 6	477	143	141	224	154	83	90	96	2-M8	150	194
MAXI 8	395	143	148	281	150	102	110	177	2-M8	150	210
MAXI 10	424	143	148	286	165	102	110	177	2-M8	150	210
MAXI 16	424	143	148	286	165	114	110	177	2-M8	150	210
MAXI 20SLB	276	215	157	230	165	114	125	230	2-M8	150	200
MAXI 20LB	540	245	223	309	215	140	150	114	2-M10	190	210
MAXI 25LB	540	245	223	309	215	140	150	114	2-M10	190	210

NO	변경날짜	변경사항	변경사유	확인
1				



1	PART NO	DESCRIPTION	Q'TY	MATERIAL	SIZE
SCALE	N/S	UNIT	MM	DATE	07.04.16
MODEL	MAXI 16/2 (HI/LOW)				
LEE.S.H.	DRAWING	DESIGN	CHECK	APPROVAL	DRAWING NAME
					OVERALL DIMENSION
SOOKOOK					DRAWING NO
					ED 207-125
					REV. 0

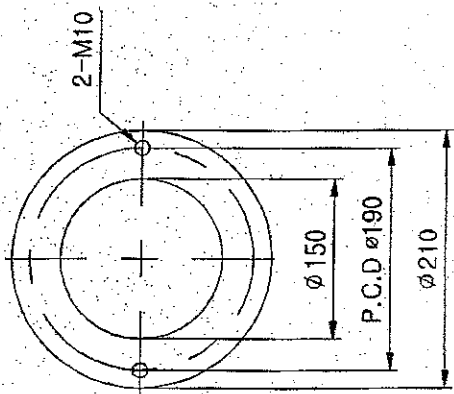
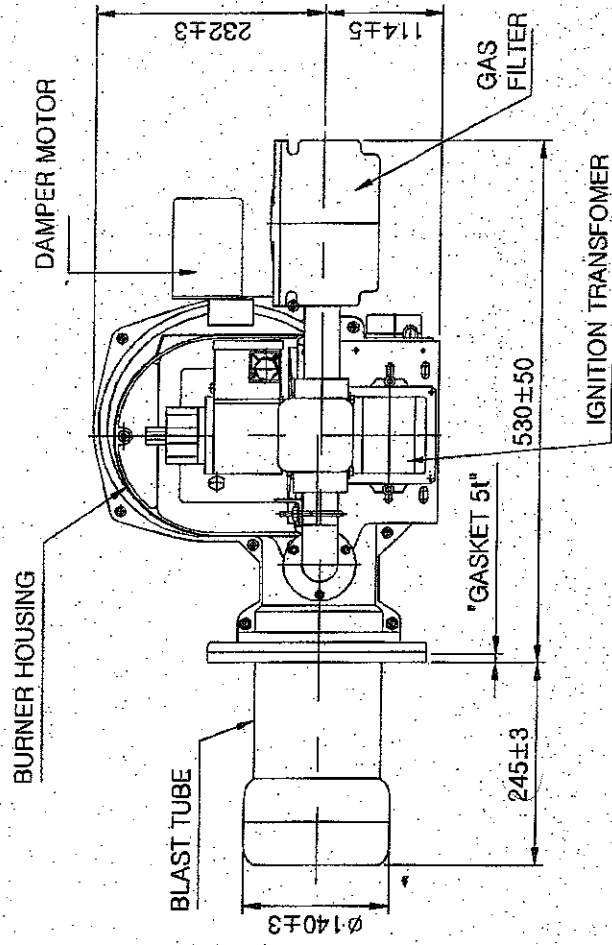
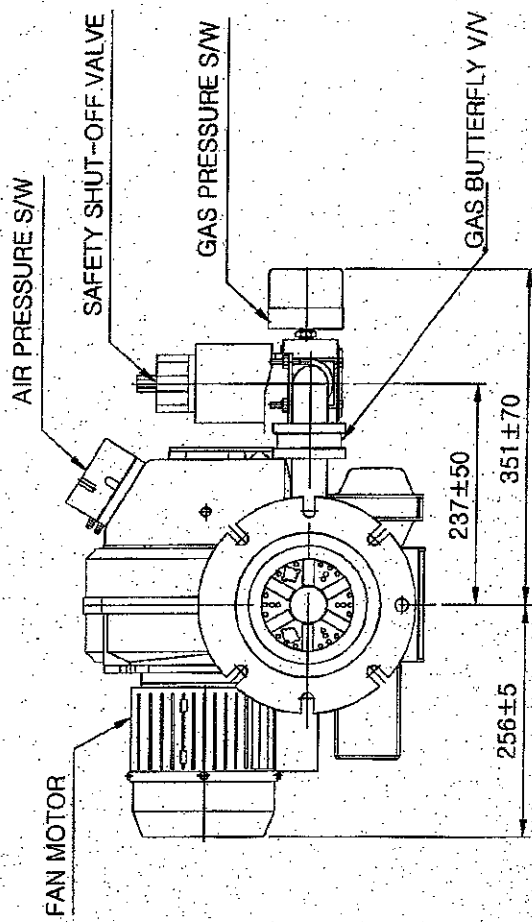
NO	변경일자	변경사항	변경사유	확인
1				



BOILER PLATE MOUNTING DIMENSIONS

POS	PART NO	DESCRIPTION	QTY	MATERIAL	SIZE
SCALE	N/S	UNIT	MM	DATE	11-01-24
MODEL	MAXI 20/2 - 25/2 (HI/LOW)				
LEE.S.H	DRAWING	DESIGN	CHECK	APPROVAL	DRAWING NAME
					OVERALL DIMENSIONS
S O O K O O K					DRAWING NO
					ED 211-034
					REV. 0

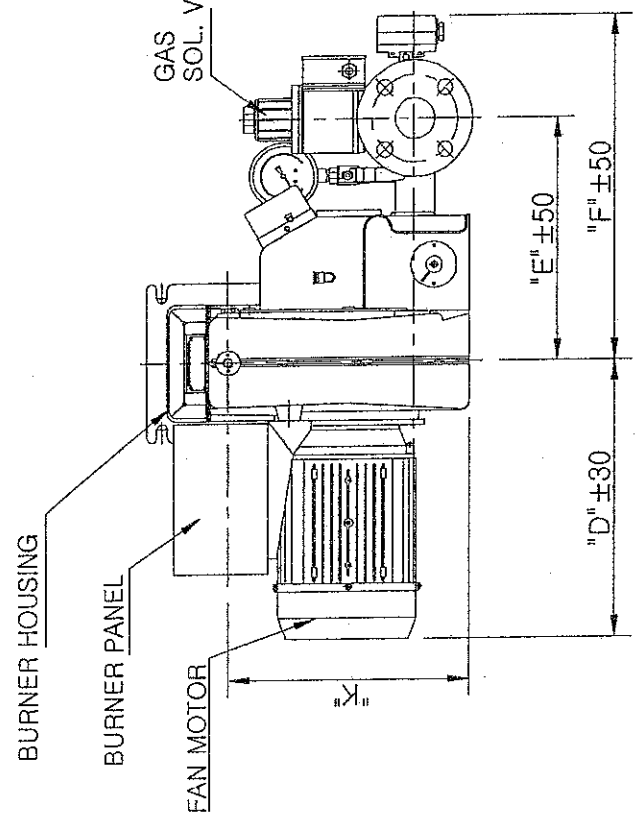
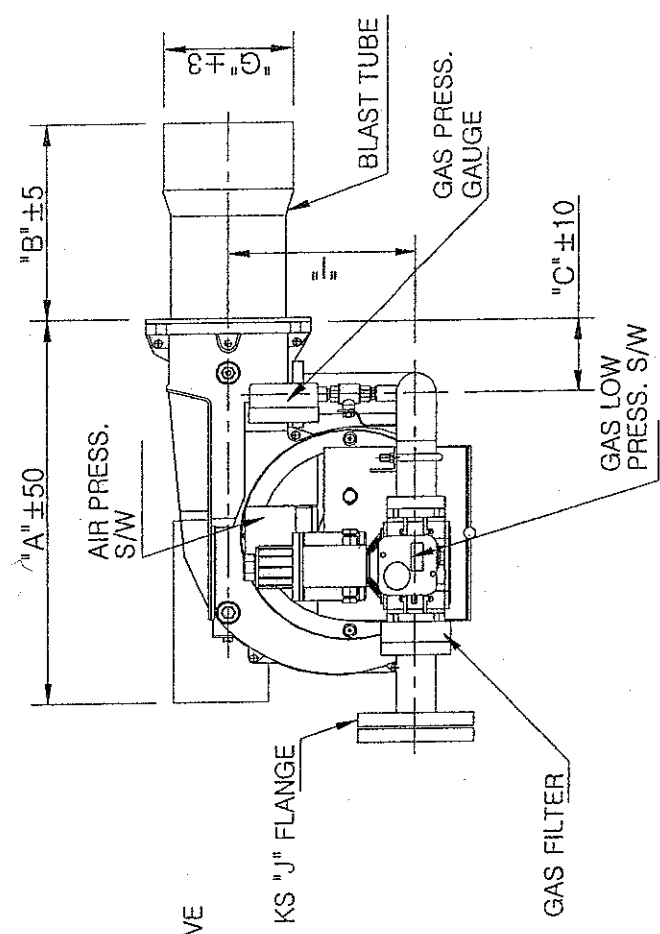
NO	변경 날짜	변경 사항	변경 사유	확인
1				



BOILER PLATE MOUNTING DIMENSIONS

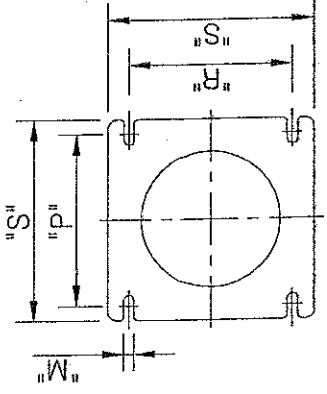
POS	PART NO	DESCRIPTION	QTY	MATERIAL	SIZE
SCALE	N/S	UNIT	MM	DATE	11.01.24
MODEL	MAXI 32/2 (HI-LOW)				
LEE.S.H	DRAWING	DESIGN	CHECK	APPROVAL	DRAWING NAME
S O O K O O K					OVERALL DIMENSIONS
D R A W I N G N O					D R A W I N G N O
E D 2 1 1 - 0 3 3					REV.
					0

NO	변경날짜	변경사항	변경사유	확인
1				



MODEL	A	B	C	D	E	F	G	I	J	K	M	P	R	S
P40/1 LB	460	240	87	396	290	413	150	219	40	291	12	165	155	190

*NOTE.
1. POSITION OF PARTS AND DIMENSIONS OF BURNER
CAN BE CHANGED BY SPECIFICATION.



BURNER FLANGE

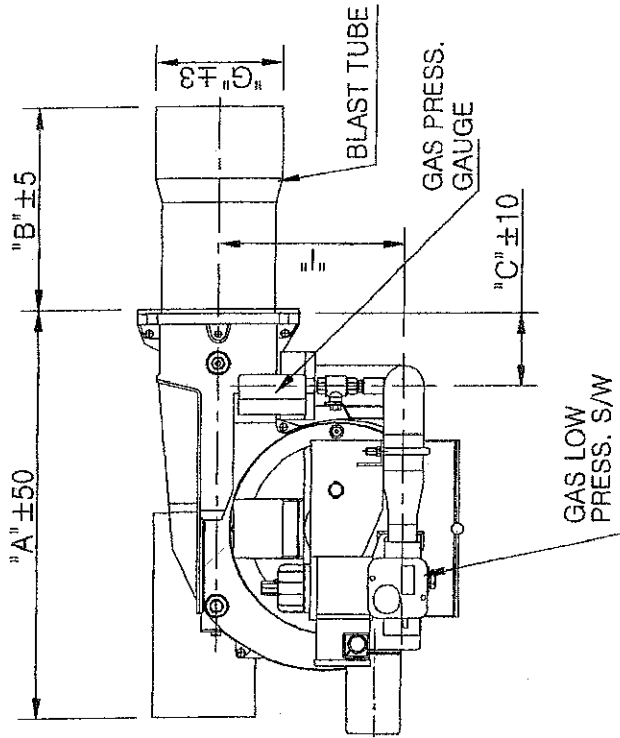
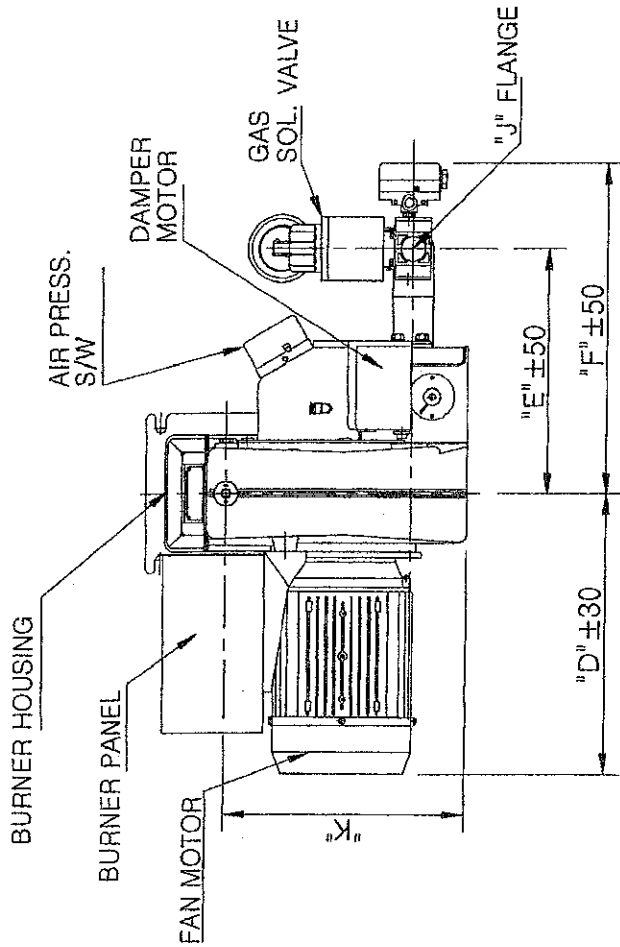
POS	PART NO	DESCRIPTION	Q'TY	MATERIAL	SIZE		
1			1				
SCALE	N/S	UNIT	MM	DATE	11.11.02	MODEL	P40/1 ON/OFF 200~330mmAq
LEE.S.H.						DRAWING	
DRAWING	DESIGN	CHECK	APPROVAL			DRAWING	GAS BURNER OVERALL DIMENSION
						DRAWING	NO
						DRAWING	NO
						REV.	0



S O O K O O K

ED 211 - 1021

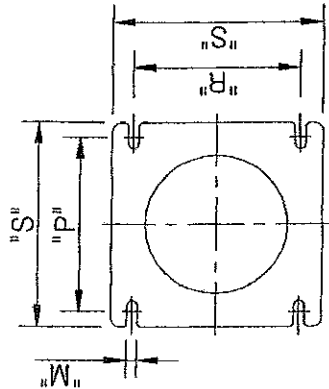
NO	변경날짜	변경사항	변경사유	확인
①				



MODEL	A	B	C	D	E	F	G	I	J	K	M	P	R	S
P40/2 LB	484	240	87	336	290	390	150	219	Rp 1"	291	12	165	155	190

*NOTE.

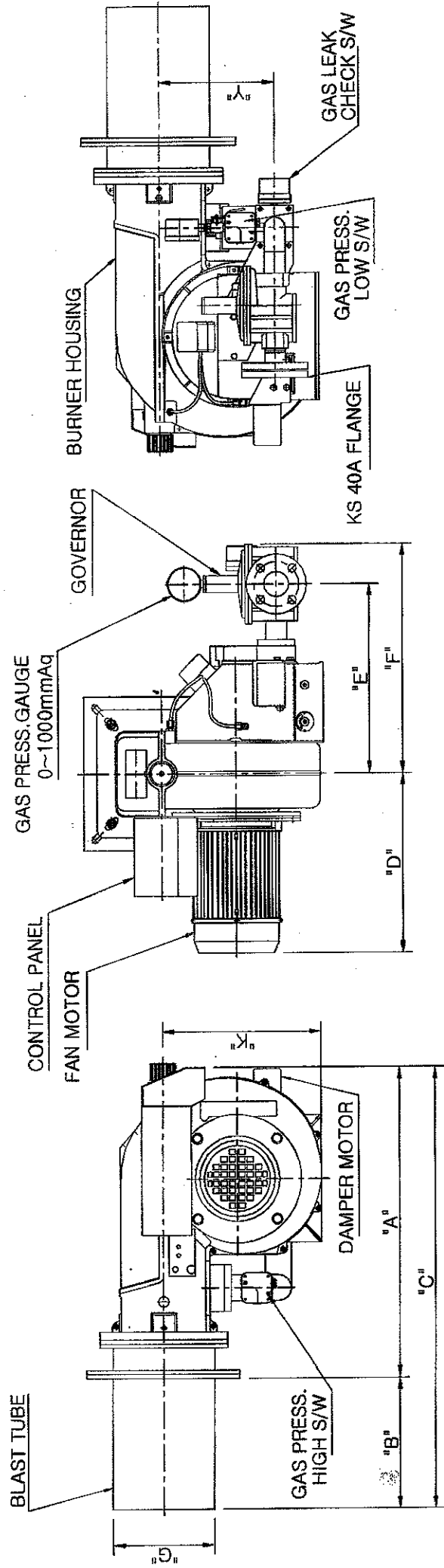
1. POSITION OF PARTS AND DIMENSIONS OF BURNER CAN BE CHANGED BY SPECIFICATION.



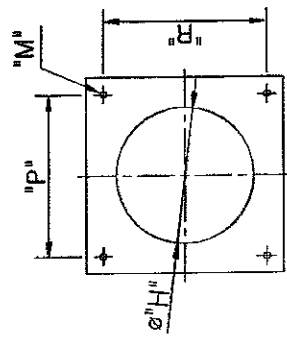
BURNER FLANGE

POS	PART NO	DESCRIPTION	QTY	MATERIAL	SIZE				
1			1						
SCALE	N/S	UNIT	MM	DATE	11.11.02	MODEL	P40/2	HI/LOW	200~330mmAq
LEE.S.H.						DRAWING			
DRAWING	DESIGN	CHECK	APPROVAL			DRAWING NAME	GAS BURNER OVERALL DIMENSION		
SOOKOOK							DRAWING NO	ED 211-1022	
							REV.	0	

NO	변경날짜	변경사항	변경사유	확인
①				



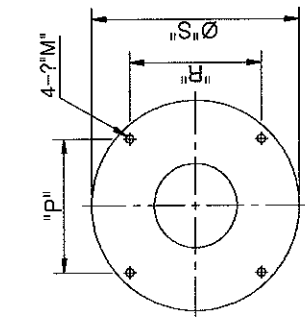
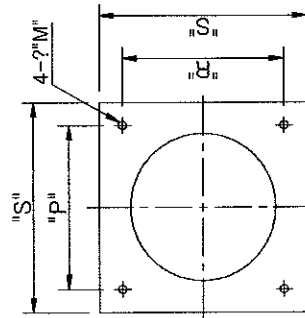
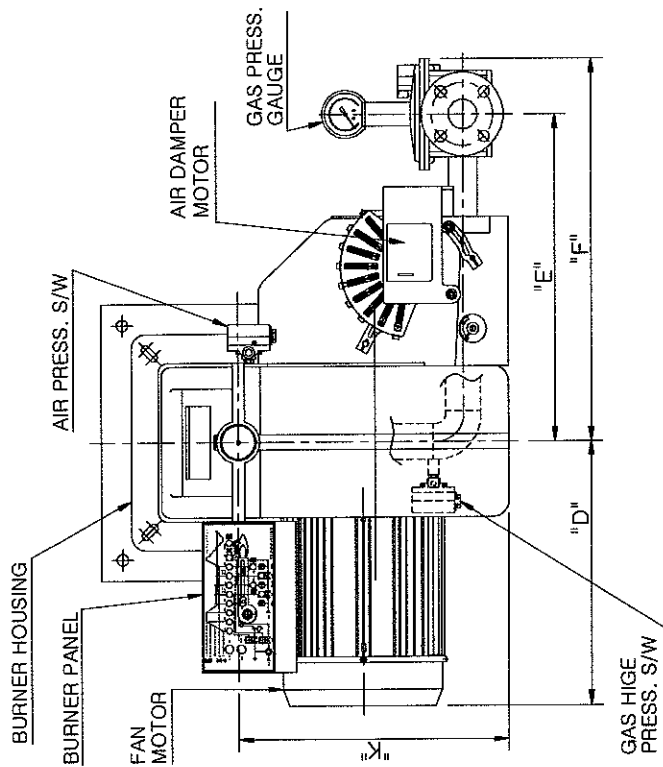
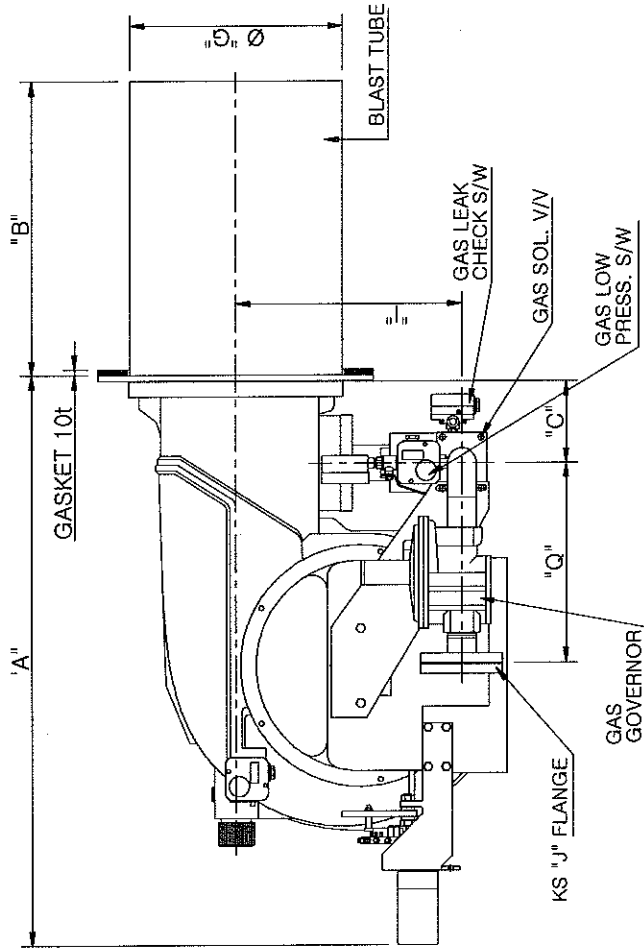
MODEL	A	B	C	D	E	F	G	H	K	M	P	R	Y
P50	526	181	707	326	290	414	165	200	291	4-M10	204	204	229
P75	643	235	878	325	345	448	165	200	346	4-M10	205	190	249
P100	643	217	860	325	345	448	198	250	346	4-M10	250	250	249
P130	694	310	1004	376	440	494	198	250	375	4-M12	226	226	270
P190	750	140	890	406	440	533	234	250	375	4-M12	300	300	270



BOILER PLATE MOUNTING DIMENSIONS

1													
POS	PART NO	DESCRIPTION		QTY	MATERIAL	SIZE							
SCALE	N/S	UNIT	DATE	11.06.14	MODEL								
LEE S.H.					P50-P190								
DRAWING	DESIGN	CHECK	APPROVAL	DRAWING NAME		GAS BURNER OVERALL DIMENSIONS							
S O O K O O K				DRAWING NO		E D 2 0 8 - 1 0 2		REV. 2					

NO	변경날짜	변경사항	변경사유	확인
1				



MODEL	A	B	C	D	E	F	G	H	I	J	K	M	P	R	S	Q
P250	803	365	120	460	440	533	320	270	40	375	19	318	318	318	500	313
P300	949	490	136	514	545	675	360	380	50	457	19	390	390	390	460	340
P400	1070	575	270	540	600	730	360	389	50	468	19	390	390	390	500	370
P500	1070	575	270	540	650	738	410	345	65	468	19	390	390	390	500	746
P600	1042	530	148	700	650	790	407	363	65	486	19	530	530	530	600	810

BURNER FLANGE (P220)

BURNER FLANGE

1	POS	PART NO	DESCRIPTION	QTY	MATERIAL	SIZE
SCALE	N/S	UNIT	MM	DATE	09.03.10	MODEL
LEE.S.H.	DRAWING	DESIGN	CHECK	APPROVAL	DRAWING NAME	GAS BURNER OVERALL
						DRAWING NO
S O O K O O K						REV.
E D 2 0 9 - 1 3 1						1

*NOTE.
1. POSITION OF PARTS AND DIMENSIONS OF BURNER
CAN BE CHANGED BY SPECIFICATION.