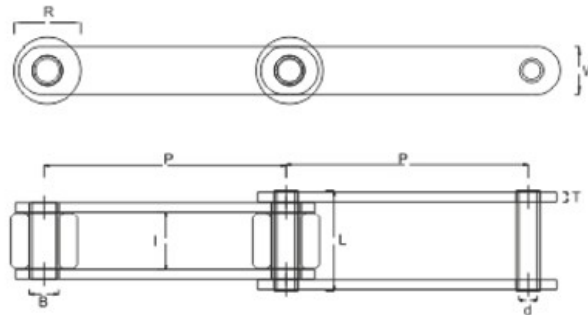


HOLLOW PIN CHAINS



Technical Specifications

| CHAIN NO. | PITCH P | PIN BORE | | ROLLER | | LINK | | BREAKING LOAD | |
|-----------|---------|----------|-----------|--------|-------|------|-----|------------------|---------------|
| | | d Ø | L APP. | R Ø | I | W | T | SOFT LINK KGS | HARDENED LINK |
| 020 | 50.80 | 9.7 | 38.50 | 31.75 | 15.20 | 26.0 | 4.0 | 2200 | 4000 |
| 025 | 63.50 | 9.7 | 38.50 | 31.75 | 15.20 | 26.0 | 4.0 | 2200 | 4000 |
| 030 | 76.20 | 9.7 | 38.50 | 31.75 | 15.20 | 26.0 | 4.0 | 2200 | 4000 |
| 040 | 101.60 | 9.7 | 38.50 | 31.75 | 15.20 | 26.0 | 4.0 | 2200 | 4000 |
| 050 | 127.00 | 9.7 | 38.50 | 31.75 | 15.20 | 26.0 | 4.0 | 2200 | 4000 |
| 060 | 152.40 | 9.7 | 38.50 | 31.75 | 15.20 | 26.0 | 4.0 | 2200 | 4000 |
| 031 | 76.20 | 15.0 | 52.0 | 47.62 | 19.05 | 40.0 | 5.0 | 5000 | 12000 |
| 040 | 101.60 | 15.0 | 52.0 | 47.62 | 19.05 | 40.0 | 5.0 | 5000 | 12000 |
| 051 | 127.00 | 15.0 | 52.0 | 47.62 | 19.05 | 40.0 | 5.0 | 5000 | 12000 |
| 061 | 152.40 | 15.0 | 52.0 | 47.62 | 19.05 | 40.0 | 5.0 | 5000 | 12000 |
| 082 | 203.20 | 15.0 | 52.0 | 47.62 | 19.05 | 40.0 | 5.0 | 5000 | 12000 |
| 042 | 101.60 | 19.0 | 61.0 | 66.67 | 25.40 | 50.0 | 6.0 | 10000 | 20000 |
| 052 | 127.00 | 19.0 | 61.0 | 66.67 | 25.40 | 50.0 | 6.0 | 10000 | 20000 |
| 062 | 152.40 | 19.0 | 61.0 | 66.67 | 25.40 | 50.0 | 6.0 | 10000 | 20000 |
| 010 | 254.00 | 19.0 | 61.0 | 66.67 | 25.40 | 50.0 | 6.0 | 10000 | 20000 |
| 0375 | 95.25 | 10.30 | 38.50 | 31.75 | 16.00 | 25.0 | 4.0 | 2200 | 4000 |
| 044 | 101.60 | 15.00 | 42.0 | 38.0 | 14.50 | 40.0 | 5.0 | 5000 | 12000 |
| 125 | 125.00 | 13.25 | 48.0 | 47.62 | 19.50 | 40.0 | 5.0 | 5000 | 12000 |



An ISO 9001-2008 Certified Company

ALL DIMENSIONS ARE IN MM.