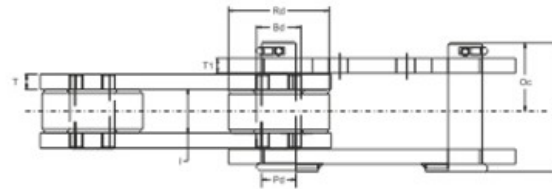
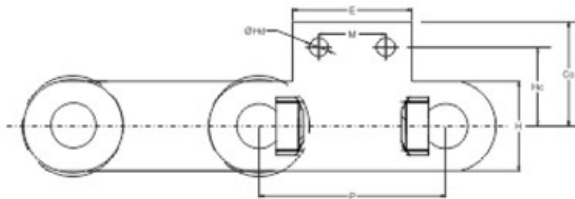
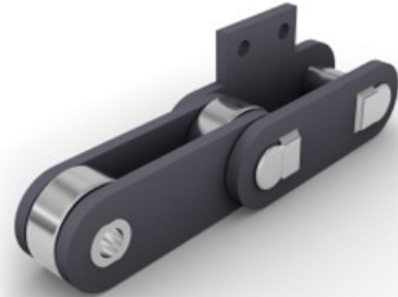
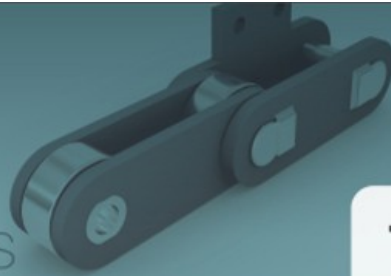


# Cement Plant Chains Reclaimer Chains



## Technical Specifications

CHAIN NO.	PITCH P	Width Between inner plate I	Roller Dia Rd	Inner link plate size		Outer link plate size		Lug Plate T1	Pin Dia Pd	Pin Length L	Dist Oc	Length E	Pitch M	Hole Dia Hd	Dist Hc	Dist Co	Min. Tensile Strength M.T
				H	T	H	T										
TR25040	250	54	85	70	10	70	10	12	26	115	60.5	190	90	22	80	110	40
TR25020	250	35	85	60	8	60	8	12	28	88	42	200	130	21	95	120	20
TR31550	315	37	120	90	12	90	12	14	36	128	52	200	130	25	120	150	50
TR25040	250	37	64	57	10	57	10	12	21	95	40	160	90	21	90	130	40
TR25070	250	56	115	100	20	100	20	22	30	163	72	220	160	25	120	150	70
TR250100	250	95	115	100	20	100	20	22	40	174	70	280	210	25	88	120	100
TR25040	250	54	85	70	10	70	10	10	26	112	50	190	140	21	85	110	40
TR31575	315	60	115	100	12	100	12	12	36	130	65	250	200	21	105	130	75
TR25040	250	37	64	57	10	57	10	12	21	93	60	160	90	21	80	120	40
TR250110	250	57	105	90	18	90	18	20	36	168	67	160	90	26	80	120	110
TR25060	250	54	85	75	10	75	10	12	28	115	52	160	90	21	95	135	60
TR25040	250	41	75	65	12	65	12	12	28	113	65	160	100	21	65	100	40
TR25075	250	56	95	77	14	77	14	14	30	138	77	180	100	23	77	117	75
TR25040	250	37	64	57	10	50	10	12	21	95	40	160	90	21	130	90	40
TR25080	250	54	95	80	14	80	14	16	30	139	59	160	90	21	100	140	80
TR25045	250	50	90	70	12	70	12	25	30	136	65	200	120	35	120	160	45
TR31550	315	50	80	70	16	70	16	18	32	140	62	160	90	23	118	80	50
TR31563	315	60	120	80	16	80	16	18	36	160	65	200	130	25	120	155	63
TR250100	250	56	112	100	20	100	20	22	40	167	72	225	158	26	120	150	100
TR250100	250	70	110	85	15	85	15	18	36	163	60	160	90	22	100	140	100

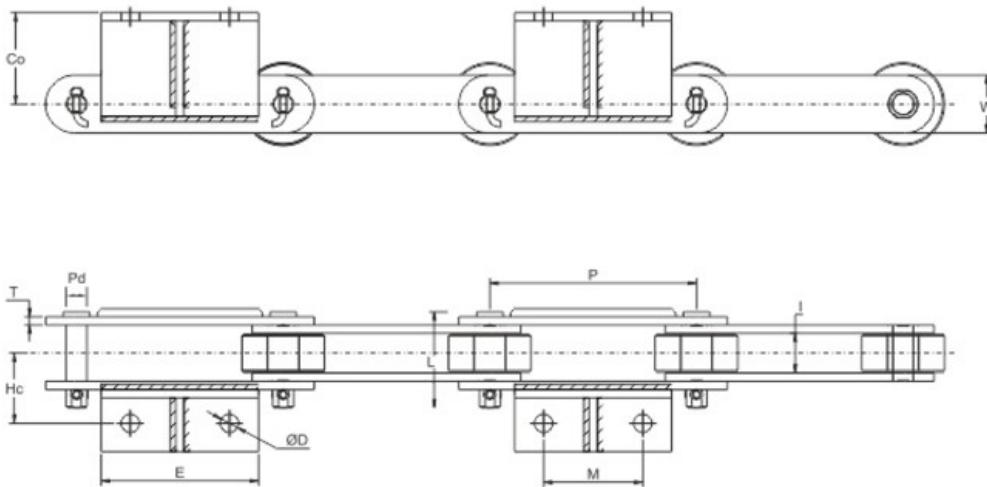
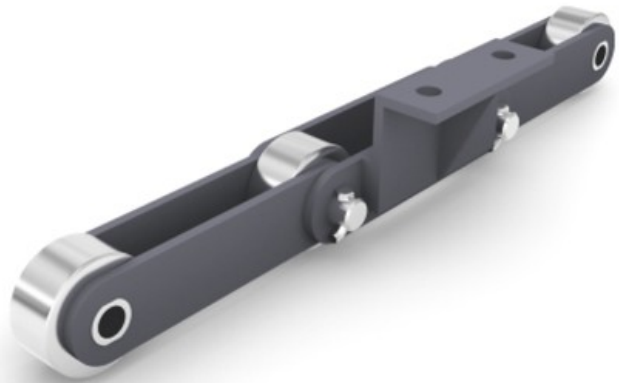


An ISO 9001-2008 Certified Company

ALL DIMENSIONS ARE IN MM.

# Cement Plant Chains

## Reclaimer Chains



### Technical Specifications

CHAIN NO.	PITCH P	Width Between inner plate I	Inner link plate size		Outer link plate size		Pin Ø Pd	Pin Length L	Roller Ø Rd	Attachment Length E	Hole Pitch M	Hole Ø D	Dist HC	Dist Co	Min. Tensile Strength M.T
			W	T	W	T									
TR31590	315	70	100	15	100	15	36	160	115	190	130	25	117	140	90
TR25060	250	54	75	14	75	14	33	136	90	150	100	25	110	157	60
TR315100	315	70	100	15	100	15	36	162	115	190	130	25	118	140	100
TR31550	315	50	80	12	80	12	36	132	95	19	130	21	90	140	50
TR25020	250	30	45	8	45	8	18	80	60	160	100	21	80	130	20
TR315100	315	70	100	15	100	15	36	162	115	190	130	25	117	140	100
TR25040	250	48	75	10	75	10	25	114	90	140	90	22	90	110	40



An ISO 9001-2008 Certified Company

ALL DIMENSIONS ARE IN MM.