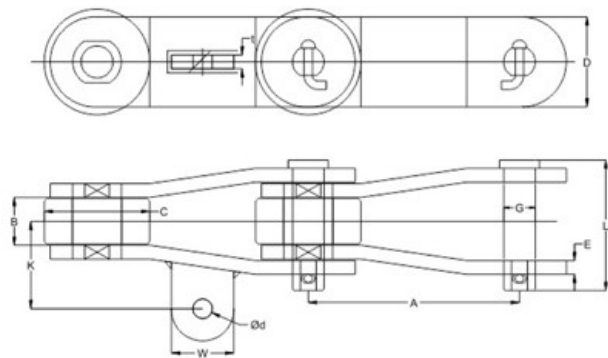
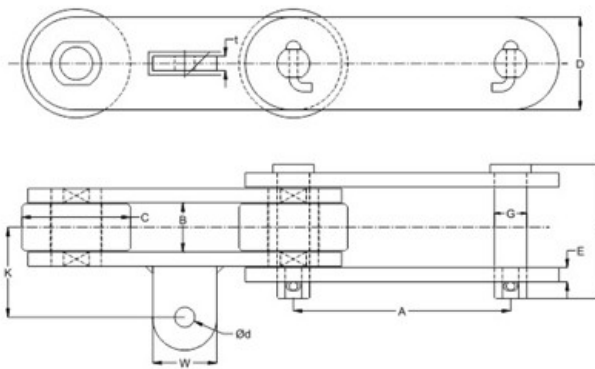


Sugar Industry Chains

Bagasse Carrier Chains



Technical Specifications

CHAIN NO.	PITCH A	BREAKING LOAD M.T.	INSIDE WIDTH B	PIN DIA. G	ROLLER DIA. C	LINK		K	W	t	ØD	L
						D	E					
TRE/BS/C/14	152.4	14 M.T.	30	Ø 19	Ø 49.5	40	8	73	40	12	Ø12.5	80
TRE/BS/C/22	152.4	22 M.T.	36	Ø 19	Ø 53.5	40	10	55	40	16	Ø 20	95
TRE/BS/C/28	152.4	28 M.T.	36	Ø 20	Ø 63.5	50	10	58	50	16	Ø 20	95
TRE/BS/C/40	152.4	40 M.T.	36	Ø 23	Ø 76.2	60	10	71.2	50	10	Ø 19	95
TRE/BS/C/52	152.4	52 M.T.	36	Ø 23	Ø 80	65	12	60	65	16	Ø 23	100
TRE/BS/C/57	152.4	57 M.T.	36	Ø 28	Ø 88	75	12	65	50	16	Ø 20	100
TRE/BS/C/60	200	60 M.T.	36	Ø 30	Ø 90	75	14	96	65	16	Ø 23	108



An ISO 9001-2008 Certified Company

ALL DIMENSIONS ARE IN MM.