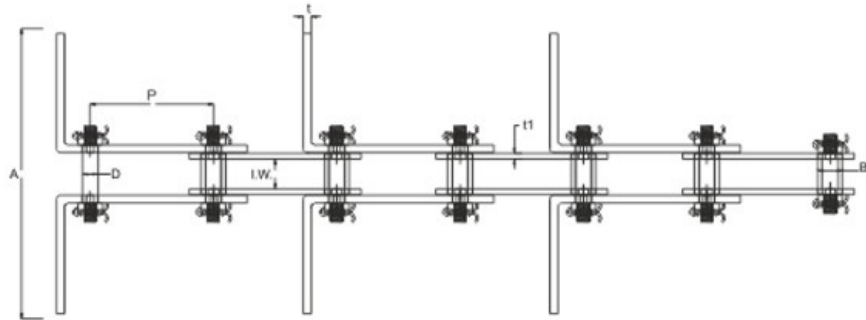


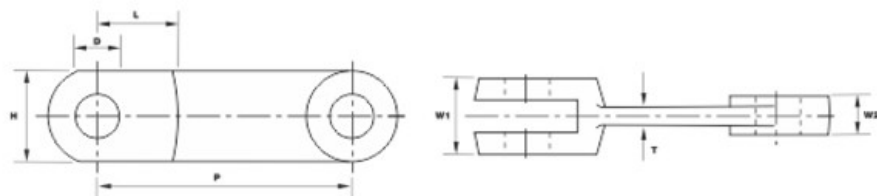
FLIGHT CHAINS



Technical Specifications

| CHAIN NO. | PITCH P | I.W. | LINK | | | BUSH B Ø | PIN D Ø | FLIGHT WIDTH A |
|------------|---------|------|-----------|-----------|------------|----------|---------|----------------|
| | | | W (width) | t (outer) | t1 (inner) | | | |
| TRE-FL-100 | 125 | 30 | 40 | 8 | 6 | 25 | 15.75 | 220 |
| TRE-FL-101 | 125 | 30 | 40 | 8 | 6 | 25 | 15.75 | 250 |
| TRE-FL-102 | 125 | 30 | 40 | 8 | 6 | 25 | 15.75 | 285 |
| TRE-FL-103 | 125 | 30 | 40 | 8 | 6 | 25 | 15.75 | 385 |
| TRE-FL-104 | 125 | 32 | 40 | 8 | 6 | 25 | 15.75 | 485 |
| TRE-FL-105 | 125 | 32 | 50 | 8 | 6 | 31.75 | 19.05 | 285 |
| TRE-FL-106 | 125 | 32 | 50 | 8 | 6 | 31.75 | 19.05 | 385 |
| TRE-FL-107 | 125 | 32 | 50 | 8 | 6 | 31.75 | 19.05 | 485 |
| TRE-FL-108 | 125 | 32 | 50 | 8 | 6 | 31.75 | 19.05 | 585 |
| TRE-FL-109 | 125 | 32 | 60 | 8 | 6 | 31.75 | 19.05 | 385 |
| TRE-FL-110 | 125 | 32 | 60 | 8 | 6 | 31.75 | 19.05 | 485 |
| TRE-FL-111 | 125 | 32 | 60 | 8 | 6 | 31.75 | 19.05 | 585 |

FLOW CONVEYOR CHAINS



Technical Specifications

| CHAIN NO. | PITCH P | BREAKING LOAD KG. | LINK H | W1 | W2 | T | L | HOLE DIA D |
|-----------|---------|-------------------|--------|----|----|----|----|------------|
| TR-835 | 102 | 15000 | 15 | 28 | 12 | 8 | 32 | 14 |
| TR-836 | 142 | 30000 | 30 | 42 | 20 | 11 | 46 | 25 |
| TR-837 | 142 | 45000 | 45 | 62 | 30 | 16 | 55 | 25 |
| TR-838 | 142 | 60000 | 60 | 62 | 30 | 16 | 55 | 25 |



An ISO 9001-2008 Certified Company

ALL DIMENSIONS ARE IN MM.