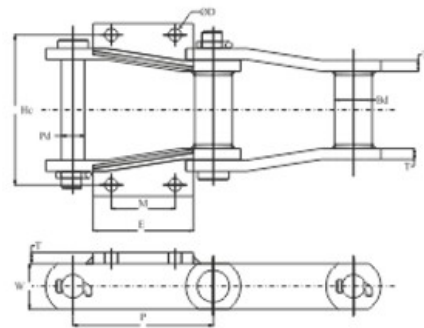
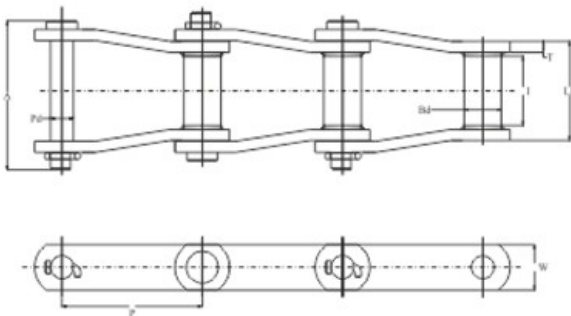


Welded Steel Chains



Technical Specifications

CHAIN NO.	Average Pitch P	Max. Pin Length A	I	Side Bars		Pins Pd	Bush		Min. Ultimate Strength MT
				Thickness T	Height W		Lb	Bd	
TW80	80	84	32	6	34	14.2	57	31	13
TW1016	101.6	106	41.5	10	40	19	72	36.5	27
TW152	152.4	106	41.4	10	40	19	72	36.5	27
TW154	154	161	76	12	50	25.4	110	41.3	38

NOTE: Dimensions are subject to change.
Other sizes available upon request.
Minimum order quantities may be required on some parts.



An ISO 9001-2008 Certified Company

ALL DIMENSIONS ARE IN MM.