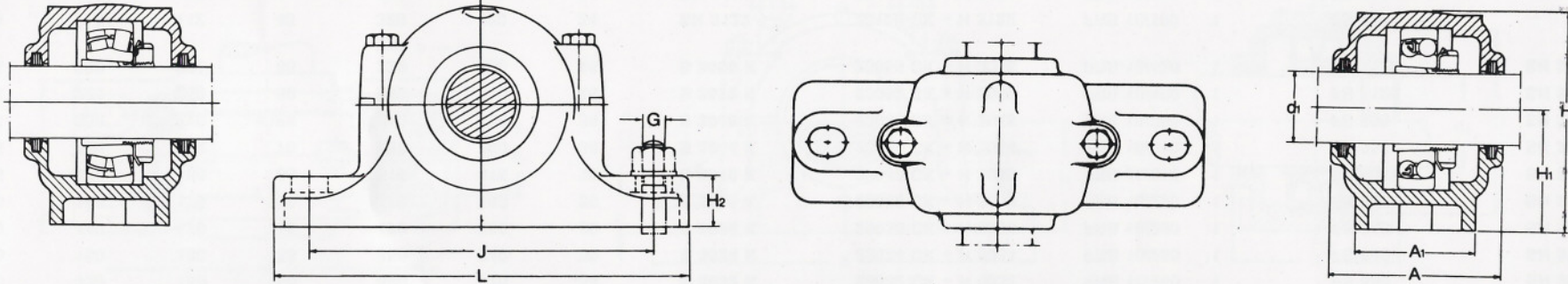


Plummer Blocks

Series SN 5

for bearings with adapter sleeves



Shaft dia.		Dimensions								Housing	Bearing and Adapter sleeve	Locating ring(s) (to be ordered separately)		Felt strip (2 per housing)
d_1		A	A_1	H	H_1	H_2	J	L	G	Designation	Designations	Designation	Qty.	Designation
mm	inch	mm												
20	$\frac{3}{4}$	67	46	75	40	19	130	165	12	SN 505	1205 K + H 205 2205 K + H 305	FRB 5/52 FRB 7/52	2 1	FS 110
25	1	77	52	90	50	22	150	185	12	SN 506	1206 K + H 206 2206 K + H 306	FRB 7/62 FRB 10/62	2 1	FS 190
30	$1\frac{1}{8}$	82	52	95	50	22	150	185	12	SN 507	1207 K + H 207 2207 K + H 307	FRB 8/72 FRB 10/72	2 1	FS 190
35	$1\frac{1}{4}$	85	60	110	60	25	170	205	12	SN 508	1208 K + H 208 2208 K + H 308 22208 CK + H 308	FRB 7.5/80 FRB 10/80 FRB 10/80	2 1 1	FS 190
40	$1\frac{1}{2}$	85	60	110	60	25	170	205	12	SN 509	1209 K + H 209 2209 K + H 309 22209 CK + H 309	FRB 6/85 FRB 8/85 FRB 8/85	2 1 1	FS 190
45	$1\frac{3}{4}$	90	60	115	60	25	170	205	12	SN 510	1210 K + H 210 2210 K + H 310 22210 CK + H 310	FRB 6.5/90 FRB 10/90 FRB 10/90	2 1 1	FS 190
50	2	95	70	130	70	28	210	255	16	SN 511	1211 K + H 211 2211 K + H 311 22211 CK + H 311	FRB 6/100 FRB 8/100 FRB 8/100	2 1 1	FS 260
55	$2\frac{1}{8}$	105	70	135	70	30	210	255	16	SN 512	1212 K + H 212 2212 K + H 312 22212 CK + H 312	FRB 8/110 FRB 10/110 FRB 10/110	2 1 1	FS 260

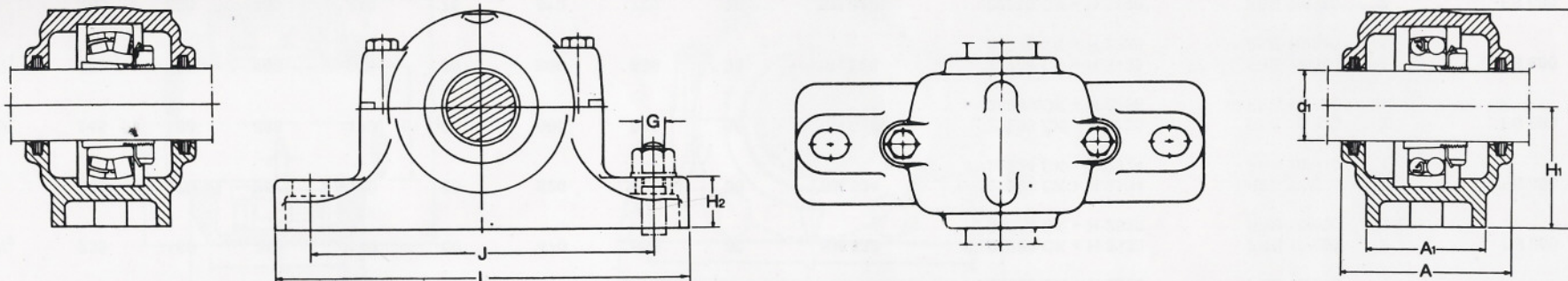
60	2 ¹ / ₄	110	80	150	80	30	230	275	16	SN 513	1213 K + H 213 2213 K + H 313 22213 CK + H 313	FRB 10/120 FRB 12/120 FRB 12/120	2 1 1	FS 260
65	2 ¹ / ₂	115	80	155	80	30	230	280	16	SN 515	1215 K + H 215 2215 K + H 315 22215 CK + H 315	FRB 8/130 FRB 10/130 FRB 10/130	2 1 1	FS 260
70	2 ³ / ₄	120	90	175	95	32	260	315	20	SN 516	1216 K + H 216 2216 K + H 316 22216 CK + H 316	FRB 8.5/140 FRB 10/140 FRB 10/140	2 1 1	FS 330
75	3	125	90	185	95	32	260	320	20	SN 517	1217 K + H 217 2217 K + H 317 22217 CK + H 317	FRB 9/150 FRB 10/150 FRB 10/150	2 1 1	FS 330
80	3 ¹ / ₈	145	100	195	100	35	290	345	20	SN 518	1218 K + H 218 2218 K + H 318 22218 CK + H 318	FRB 16/160 FRB 11/160 FRB 11/160	2 2 2	FS 330
85	3 ¹ / ₄	145	100	210	112	35	290	345	20	SN 519	1219 K + H 219 2219 K + H 319 22219 CK + H 319	FRB 10.5/170 FRB 10/170 FRB 10/170	2 1 1	FS 330
90	3 ¹ / ₂	160	110	215	112	40	320	380	24	SN 520	1220 K + H 220 2220 K + H 320 22220 CK + H 320	FRB 18/180 FRB 12/180 FRB 12/180	2 2 2	FS 370
100	4	175	120	240	125	45	350	410	24	SN 522	1222 K + H 222 2222 K + H 322 22222 CK + H 322 23222 CK + H 2322	FRB 21/200 FRB 13.5/200 FRB 13.5/200 FRB 10/200	2 2 2 1	FS 460
110	4 ¹ / ₄	185	120	270	140	45	350	410	24	SN 524	22224 CK + H 3124 23224 CK + H 2324	FRB 14/215 FRB 10/215	2 1	FS 460
115	4 ¹ / ₂	190	130	290	150	50	380	445	24	SN 526	22226 CK + H 3126 23226 CK + H 2326	FRB 13/230 FRB 10/230	2 1	FS 460
125	5	205	150	305	150	50	420	500	30	SN 528	22228 CK + H 3128 23228 CK + H 2328	FRB 15/250 FRB 10/250	2 1	FS 510
135	5 ¹ / ₄	220	160	325	160	60	450	530	30	SN 530	22230 CK + H 3130 23230 CK + H 2330	FRB 17/270 FRB 10/270	2 1	FS 510
140	5 ¹ / ₂	235	160	345	170	60	470	550	30	SN 532	22232 CK + H 3132 23232 CK + H 2332	FRB 17/290 FRB 10/290	2 1	FS 680
150	6	235	170	367	180	65	520	620	30	SN 534	22234 CK + H 3134 23234 CK + H 2334	FRB 17/310 FRB 10/310	2 1	FS 680
160	6 ¹ / ₂	245	180	385	190	65	560	650	30	SN 536	22236 CK + H 3136 23236 CK + H 2336	FRB 18/320 FRB 10/320	2 1	FS 680
170	6 ³ / ₄	255	190	405	200	70	580	680	36	SN 538	22238 CK + H 3138 23238 CK + H 2338	FRB 19/340 FRB 10/340	2 1	FS 680
180	7	265	200	430	210	75	610	720	36	SN 540	22240 CK + H 3140 23240 CK + H 2340	FRB 20/360 FRB 10/360	2 1	FS 680
200	8	285	220	480	240	80	680	820	45	SN 544	22244 CK + H 3144 23244 CK + H 2344	FRB 23/400 FRB 10/400	2 1	FS 950

The caps of housings from SN 524 onwards are provided with an eye bolt.

Plummer Blocks

Series SN 6

for bearings with adapter sleeves



Shaft dia.		Dimensions								Housing	Bearing and Adapter sleeve	Locating ring(s) (to be ordered separately)		Felt strip (2 per housing)
d_1		A	A ₁	H	H ₁	H ₂	J	L	G	Designation	Designations	Designation	Qty.	Designation
mm	inch	mm												
20	3/4	80	52	90	50	22	150	185	12	SN 605	1305 K + H 305 2305 K + H 2305	FRB 8.5/62 FRB 10/62	2 1	FS 110
25	1	82	52	95	50	22	150	185	12	SN 606	1306 K + H 306 2306 K + H 2306	FRB 9/72 FRB 10/72	2 1	FS 190
30	1 1/8	90	60	110	60	25	170	205	12	SN 607	1307 K + H 307 2307 K + H 2307	FRB 10/80 FRB 10/80	2 1	FS 190
35	1 1/4	95	60	115	60	25	170	205	12	SN 608	1308 K + H 308 2308 K + H 2308 21308 K + H 308 22308 CK + H 2308	FRB 10/90 FRB 10/90 FRB 10/90 FRB 10/90	2 1 2 1	FS 190
40	1 1/2	105	70	130	70	28	210	255	16	SN 609	1309 K + H 309 2309 K + H 2309 21309 K + H 309 22309 CK + H 2309	FRB 10.5/100 FRB 10/100 FRB 10.5/100 FRB 10/100	2 1 2 1	FS 190
45	1 3/4	115	70	135	70	30	210	255	16	SN 610	1310 K + H 310 2310 K + H 2310 21310 K + H 310 22310 CK + H 2310	FRB 11.5/110 FRB 10/110 FRB 11.5/110 FRB 10/110	2 1 2 1	FS 190
50	2	120	80	150	80	30	230	275	16	SN 611	1311 K + H 311 2311 K + H 2311 21311 K + H 311 22311 CK + H 2311	FRB 12/120 FRB 10/120 FRB 12/120 FRB 10/120	2 1 2 1	FS 260

55	2 ¹ / ₈	125	80	155	80	30	230	280	16	SN 612	1312 K + H 312 2312 K + H 2312 21312 K + H 312 22312 CK + H 2312	FRB 12.5/130 2 FRB 10/130 1 FRB 12.5/130 2 FRB 10/130 1	FS 260
60	2 ¹ / ₄	130	90	175	95	32	260	315	20	SN 613	1313 K + H 313 2313 K + H 2313 21313 K + H 313 22313 CK + H 2313	FRB 12.5/140 2 FRB 10/140 1 FRB 12.5/140 2 FRB 10/140 1	FS 260
65	2 ¹ / ₂	140	100	195	100	35	290	345	20	SN 615	1315 K + H 315 2315 K + H 2315 21315 K + H 315 22315 CK + H 2315	FRB 14/160 2 FRB 10/160 1 FRB 14/160 2 FRB 10/160 1	FS 260
70	2 ³ / ₄	145	100	210	112	35	290	345	20	SN 616	1316 K + H 316 2316 K + H 2316 21316 K + H 316 22316 CK + H 2316	FRB 14.5/170 2 FRB 10/170 1 FRB 14.5/170 2 FRB 10/170 1	FS 330
75	3	155	110	215	112	40	320	380	24	SN 617	1317 K + H 317 2317 K + H 2317 21317 K + H 317 22317 CK + H 2317	FRB 14.5/180 2 FRB 10/180 1 FRB 14.5/180 2 FRB 10/180 1	FS 330
80	3 ¹ / ₈	160	110	220	112	40	320	380	24	SN 618	1318 K + H 318 2318 K + H 2318 21318 K + H 318 22318 CK + H 2318	FRB 15.5/190 2 FRB 10/190 1 FRB 15.5/190 2 FRB 10/190 1	FS 330
85	3 ¹ / ₄	170	120	240	125	45	350	410	24	SN 619	1319 K + H 319 2319 K + H 2319 21319 K + H 319 22319 CK + H 2319	FRB 16/200 2 FRB 10/200 1 FRB 16/200 2 FRB 10/200 1	FS 330
90	3 ¹ / ₂	185	120	270	140	45	350	410	24	SN 620	1320 K + H 320 2320 K + H 2320 21320 K + H 320 22320 CK + H 2320	FRB 18/215 2 FRB 10/215 1 FRB 18/215 2 FRB 10/215 1	FS-370
100	4	190	130	295	150	50	390	450	24	SN 622	20322 K + H 322 21322 K + H 322 22322 CK + H 2322	FRB 20/240 2 FRB 20/240 2 FRB 10/240 1	FS 460
110	4 ¹ / ₄	200	160	320	160	60	450	530	30	SN 624	20324 K + H 3124 22324 CK + H 2324	FRB 20.5/260 2 FRB 10/260 1	FS 460
115	4 ¹ / ₂	235	160	345	170	60	470	550	30	SN 626	20326 K + H 3126 22326 CK + H 2326	FRB 22.5/280 2 FRB 10/280 1	FS 460
125	5	235	170	367	180	65	520	620	30	SN 628	20328 K + H 3128 22328 CK + H 2328	FRB 25/300 2 FRB 10/300 1	FS 510
135	5 ¹ / ₄	245	180	385	190	65	560	650	30	SN 630	20330 K + H 3130 22330 CK + H 2330	FRB 26.5/320 2 FRB 10/320 1	FS 510
140	5 ¹ / ₂	255	190	405	200	70	580	680	36	SN 632	20332 K + H 3132 22332 CK + H 2332	FRB 28/340 2 FRB 10/340 1	FS 680