

Geared Traction Machine

www.maxtongroup.in



SINCE -1991

Experience
and
Innovation



Design,
Manufacturer
& Supplier of
All Type Elevator
Traction Machines.

Excellence



SINCE
1991

“ We shape stories
and the way people
Experience team ”





From Perfect Technology to Quality Production

COMPANY PROFILE

Precise Work Management

KAMAX ENGINEERING PVT. LTD, the group whose name is synonymous with innovation and engineering excellence, was incorporated & envisaged by the professional founder directions with rich experience and technology savvy background & qualifications. The company was founded in the year 1991 for the manufacture of prime quality Elevator Traction Machines, with a keen focus on superior service and customer based engineering and technical solutions. We have set new benchmarks in the industry. We believe in the 'Customer First Philosophy'.

The need for quality vertical transportation is the order of the day. The demand has risen many fold & is rising at an accelerated pace. Therefore, the company has a clear focus on achieving and sustaining global leadership with a vibrant and performance driven environment with excellent opportunities for all-round growth. We incorporate proven logistics expertise and latest innovative designs before they are apparent.

We have improved upon all our prior achievements. All optimistic assumptions and targets were enthusiastically exceeded. We carved an enviable niche for ourselves in the global status, a result of globalized production concepts over recent decades; with comprehensive global capabilities for solutions for early delivery and supply facilities.

The Company has an integrated production line in terms of expertise, know-how and ultra-techniques with well equipped latest state-of-the-art modern machineries with hi-tech infrastructure, comprising of hi-tech CNC, HMC, HOBBING and WORM GRINDER machines. We optimize and customize operations for maximum efficiency and overall cost savings, improved customer service, reduced risk and lower capital expenditure. We have in-house testing machines & techniques for quality checks under strict supervision of qualified personnel.

We also integrate professional management with sophisticated technology for enhanced performance and trade expertise combined with the proven ability to implement effective solutions with the deep proven experience in key industries in India and global regions to serve our customers' best needs.

Our most important capital is the perfect synergy of employee competence and the effective use of global know-how through research and practical application.

We believe : "Once your sight is set upon your destination the thirst to precede challenges comes naturally and this same thirst takes you beyond the ordinary".

We thrive upon the same thirst. Everyday we seek to scale a new peak.

Our statement : "Value based performance, ethics, transparency of operations and spirit of excellence epitomize KAMAX ENGINEERING PVT. LTD".

Accuracy



SINCE
1991



The Machine

The perfect synergy of employee competence and the effective in house research and practical application has helped in overall cost saving.

Our exclusive, **MAXTON 127** brand elevator traction machine, having latest modern-day innovative design with ultimate efficiency and performance is offered at the most attractive & competitive price.

- Worm wheel made in PB2, nickel base to achieve more life.
- Graded cast iron for cases and hardened alloy steel for shaft.
- Motor & gear are flexible for easy maintenance.

MAXTON 127



Technical Specifications

Passenger Capacity (Kg)	400 to 550 Kg
Speed Range (M/sec)	0.32 to 1.00
Static Load	3000 Kg.
Gear Ratio	1/40, 2/53
Power Range (Kw)	3.7, 4, 5.5
Brake Voltage	48, 60, 110, 220
Sheave Range	410, 450, 480, 510, 530, 560 (in mm)
Oil Capacity Ltr.	3 Ltr.
Weight of Machine (Kg)	210 (Without Bed Plate)

* Note : Weight of machine is change according of selection of sheave, motor & driven system.

Electromagnetic of Brake

Voltage	AMP	Watt
48	2.85	137
60	2.6	156
110	1.3	149
220	0.9	198

Innovation



SINCE
1991



Geared Motor Unit

Machines are specially designed for various application such as speed and capacity with rigid & rugged reliability, smooth trouble free operation. Use standard worm and gears with taper roller rearing and thrust bearing in machine for maximum load carrying capacity.

The perfect lubrication system gives longer life and smooth operation. The machine are mounted on special type of rubbers which have extra ordinary dumping capacity, due to this characteristic, the machine runs vibration free.

MAXTON 127 M1



Technical Specifications

Passenger Capacity (Kg)	500 TO 700 Kg.
Speed Range (M/sec)	0.32 TO 1.25
Static Load	3000 Kg.
Gear Ratio	1/40, 2/53
Power Range (Kw)	4, 5.5, 6
Brake Voltage	48, 60, 110, 220
Sheave Range	300, 400, 450, 530, 560, 610, (in mm)
Oil Capacity Ltr.	3.2 Ltr.
Weight of Machine (Kg)	210 (Without Bed Plate)

* Note : Weight of machine is change according of selection of sheave, motor & driven system.



Save Energy



Low Noise



Comfortable

Performance

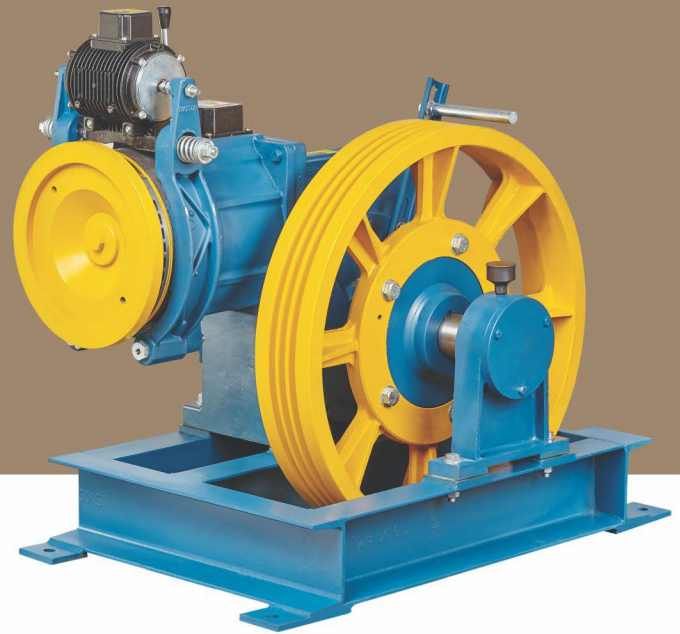


SINCE
1991



from concept
through design
we engineer value

MAXTON 152



Technical Specifications

Passenger Capacity (Kg)	500 TO 1100 Kg.
Speed Range (M/sec)	0.32 TO 1.25
Static Load	6000 Kg.
Gear Ratio	1/40, 2/53
Power Range (Kw)	5.5, 6.8
Brake Voltage	48, 60, 110, 220
Sheave Range	300, 400, 450, 530, 560, 610, (in mm)
Oil Capacity Ltr.	4.5 Ltr.
Weight of Machine (Kg)	350 (Without Bed Plate)

* Note : Weight of machine is change according of selection of sheave, motor & driven system.



Technology



SINCE
1991



The Machine

The perfect synergy of employee competence and the effective in house research and practical application has helped in overall cost saving

Our exclusive, "MAXTON 152 M1" brand elevator traction machine, having latest modern-day innovative design with ultimate efficiency and performance is offered at the most attractive & competitive price.

- Worm wheel made in PB2, nickel base to achieve more life.
- Graded cast iron for cases and hardened alloy steel for shaft.
- Motor & gear are flexible for easy maintenance.

MAXTON 152 M1



Technical Specifications

Passenger Capacity (Kg)	500 TO 1100 Kg.
Speed Range (M/sec)	0.32 TO 1.25
Static Load	6000 Kg.
Gear Ratio	1/40, 2/53
Power Range (Kw)	5.5, 6.8
Brake Voltage	48, 60, 110, 220
Sheave Range	410, 450, 510, 530, 560, 610, 660 (in mm)
Oil Capacity Ltr.	4.5 Ltr.
Weight of Machine (Kg)	350 (Without Bed Plate)

* Note : Weight of machine is change according of selection of sheave, motor & driven system.

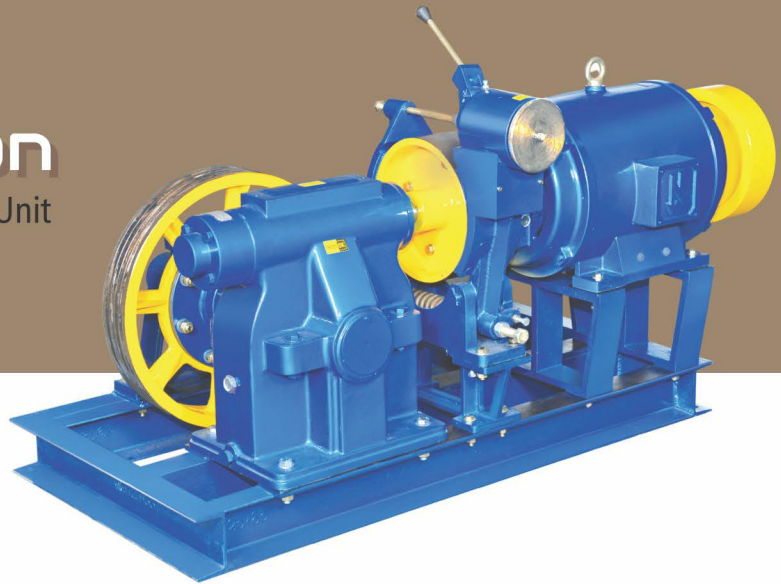
Electromagnetic of Brake

Voltage	AMP	Watt
48	2.85	137
60	2.6	156
110	1.3	149
220	0.9	198



Upper Traction

Elevator Unit



Load Capacity for Goods (Kg)	1500 to 4000 Kg
Speed Range (M/sec)	0.32 to 2..00
Static Load	7000 Kg.
Gear Ratio	1/42, 2/53, 2/57, 2/59, 1/49
Power Range (Kw)	10 to 25 Kw
Brake Voltage	48, 60, 110, 220
Sheave Range	560, 610, 660, 700, 800 (in mm)
Oil Capacity Ltr.	10 Ltr. (Synthetic Oil Only)

* Note : Weight of machine is change according of selection of sheave, motor & driven system.

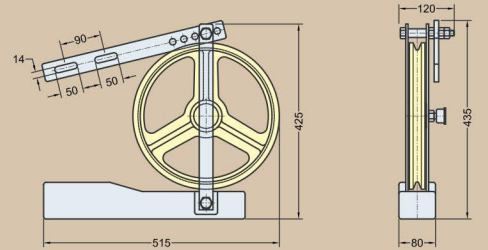
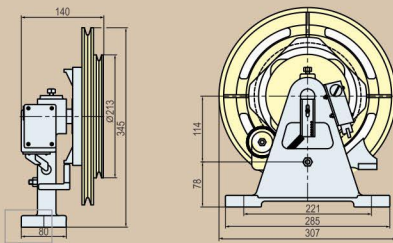
Electromagnetic of Brake

Voltage	AMP	Watt
48	2.85	137
60	2.6	156
110	1.3	149
220	0.9	198

Over Speed Governor

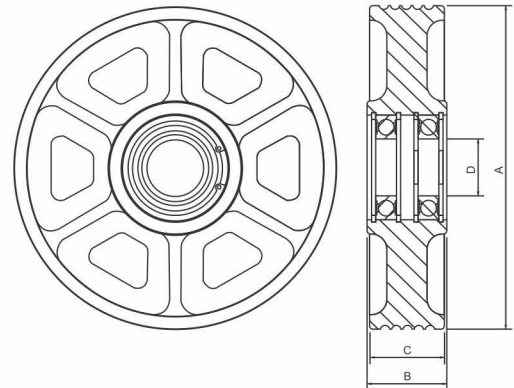
Technical Specification

Contract Speed	Tripping Speed
0.30	0.50
0.50	0.70
0.65	0.90
0.75	1.00
0.90	1.26
1.00	1.40
1.25	1.60
1.50	2.10



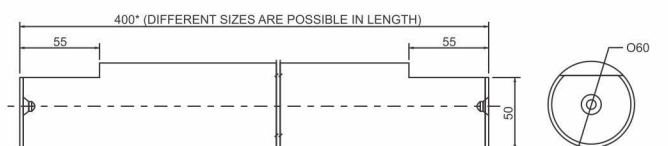
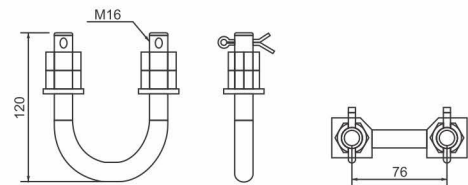
NOTE :- ALL DIMENSIONS ARE IN MM

Bearing Diverter Sheave



Divertor Pully Technical

Sr. No.	A (Ø-mm)	B (mm)	C (mm)	D (mm)	Rope Size - Quantity
1	300	84	75	60	8mm - 3 Groove
2	300	84	75	60	8mm - 4 Groove
3	300	84	75	60	10mm - 3 Groove
4	300	84	75	60	13mm - 3 Groove
5	340	84	78	60	8mm - 3 Groove
6	340	84	78	60	8mm - 4 Groove
7	340	84	78	60	8mm - 5 Groove
8	340	100	100	60	8mm - 6 Groove
9	340	140	136	60	8mm - 8 Groove
10	340	140	136	60	8mm - 10 Groove
11	340	84	78	60	10mm - 3 Groove
12	340	84	78	60	10mm - 4 Groove
13	340	100	100	60	10mm - 5 Groove
14	340	140	136	60	10mm - 6 Groove
15	340	140	136	60	10mm - 8 Groove
16	340	84	78	60	13mm - 3 Groove
17	340	100	100	60	13mm - 4 Groove
18	340	140	136	60	13mm - 5 Groove
19	340	140	136	60	13mm - 6 Groove
20	340	213	172	60	13mm - 8 Groove
21	400	84	84	60	10mm - 3 Groove
22	400	84	84	60	10mm - 4 Groove
23	400	100	100	60	10mm - 5 Groove
24	520	100	80	60	13mm - 3 Groove
25	520	100	100	60	13mm - 4 Groove
26	520	140	136	60	13mm - 5 Groove
27	520	140	136	60	13mm - 6 Groove
28	520	213	172	60	13mm - 8 Groove



R. R. Cam

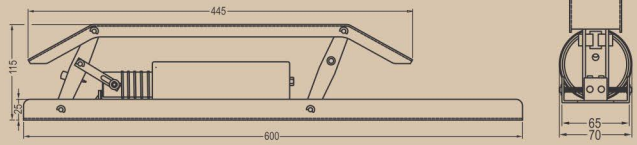
Model : K-210



Model : K-220



Technical Drawing

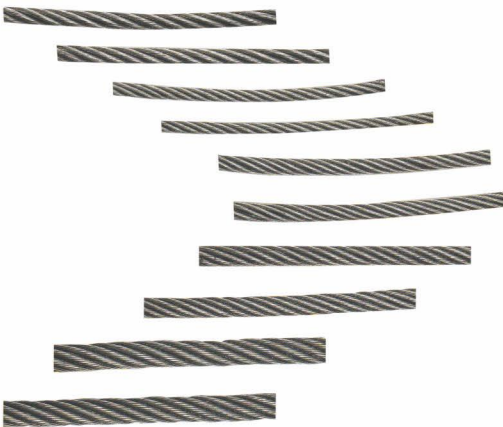


NOTE :- ALL DIMENSIONS ARE IN MM

Features

- Noise less.
- Maintenance Free.
- Compact design & smart look.
- Easy installation.
- Available in 110 V / 220 V.
- M. S. Powder coated body.
- It works in pneumatic principle.
- It's working pressure can be adjustable.

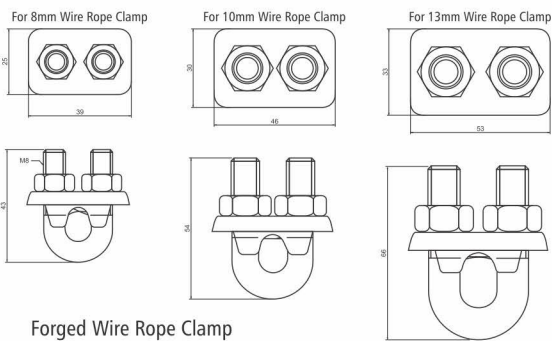
Wire Rope



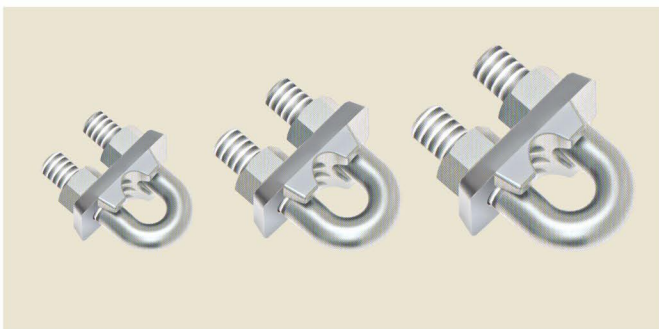
6mm, 8mm,
10mm, 13mm
Wire Rope for Machine
8-mm Wire Rope for OSG



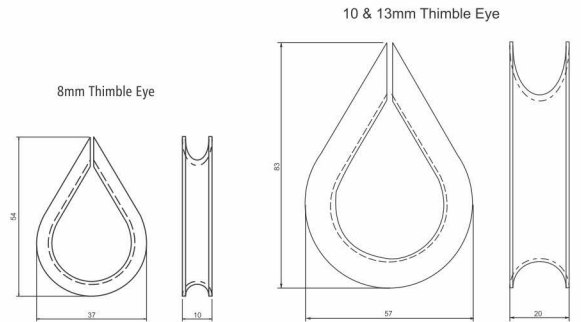
Forged Rope Clamp



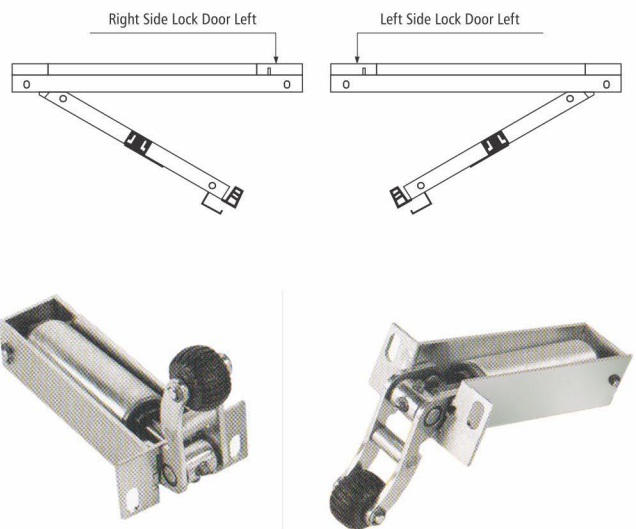
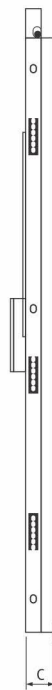
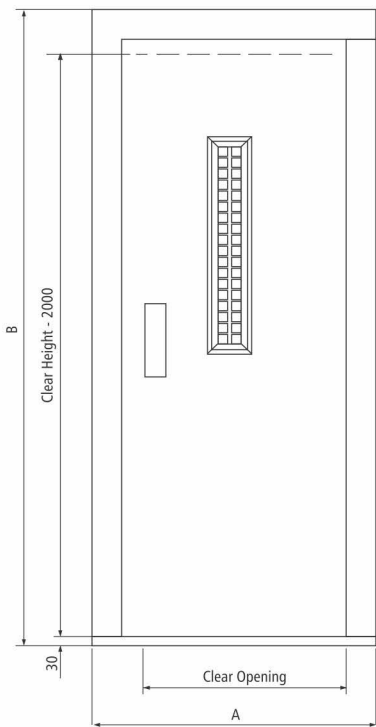
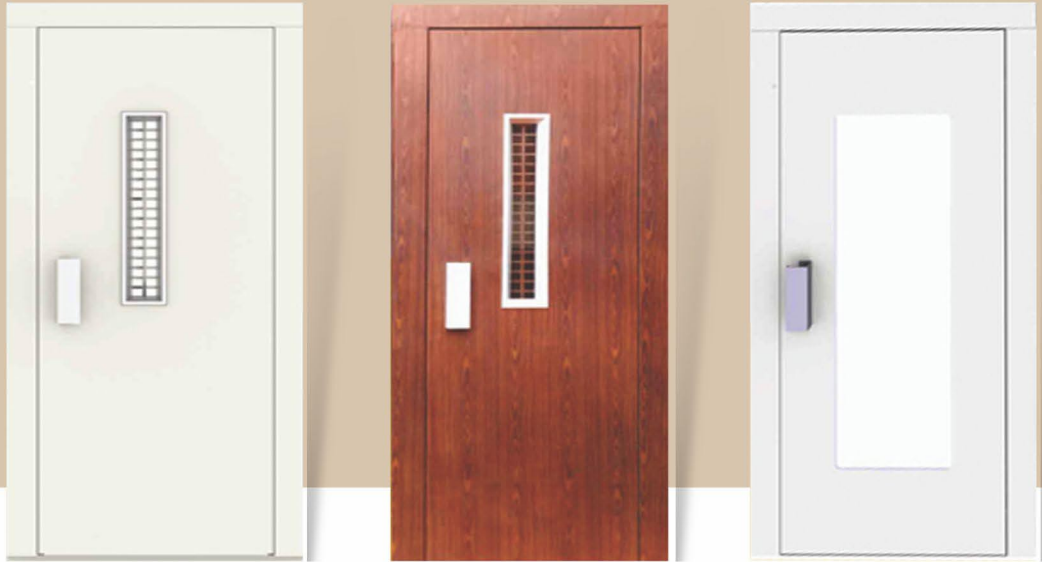
Forged Wire Rope Clamp



Thimble Eye Type

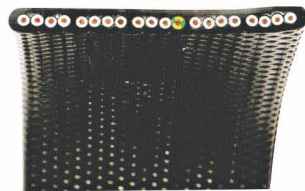
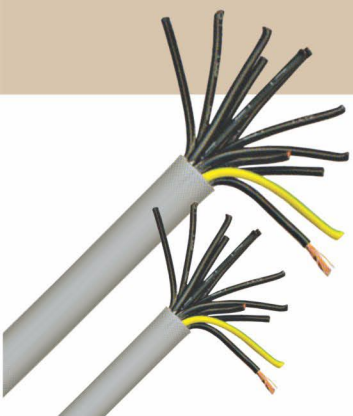
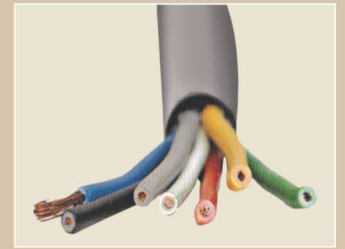
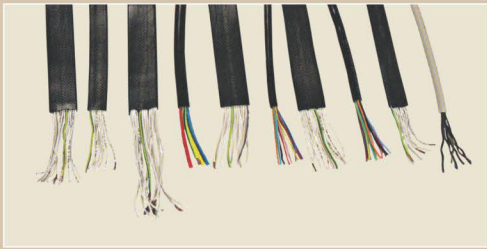


Semi Automatic Swing Door Type -2

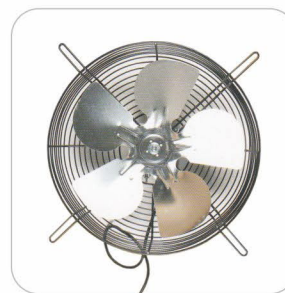


Sr. No.	Clear Opening	A	B	C
1	600mm	870mm	2170mm	95mm
2	700mm	970mm	2170mm	95mm
3	800mm	1070mm	2170mm	95mm
4	900mm	1170mm	2170mm	95mm

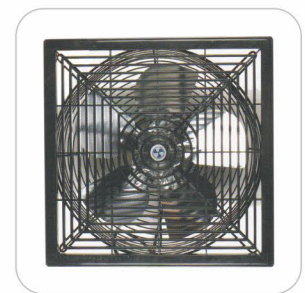
Cables



Fan



Round Fan



Square Fan



Blower Cross Flow Fan

Fan Gril

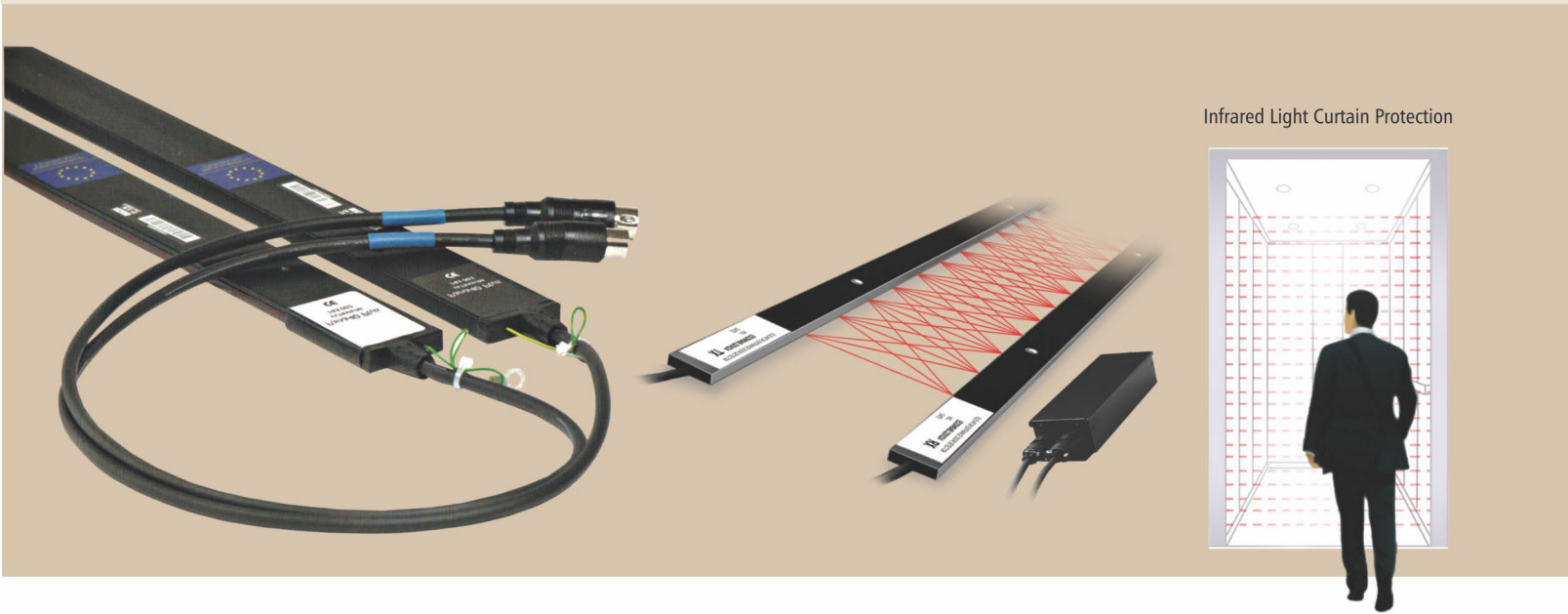


Square



Round

Autodoor Sensors (Light Curtain)



COP & LOP

Car Operating Panel & Landing Operating Panel



Touch Glass COP & LOP

Only 10mm Ultra-Thin
and Streamlined Design

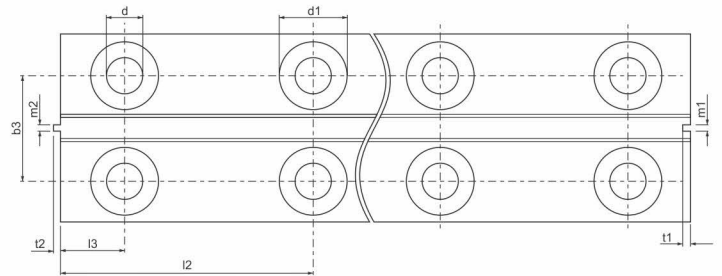
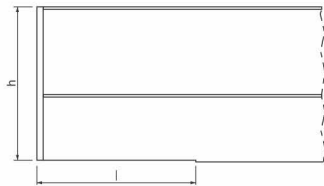
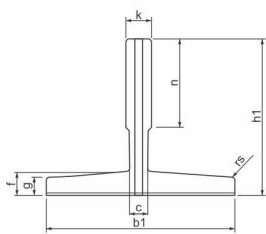
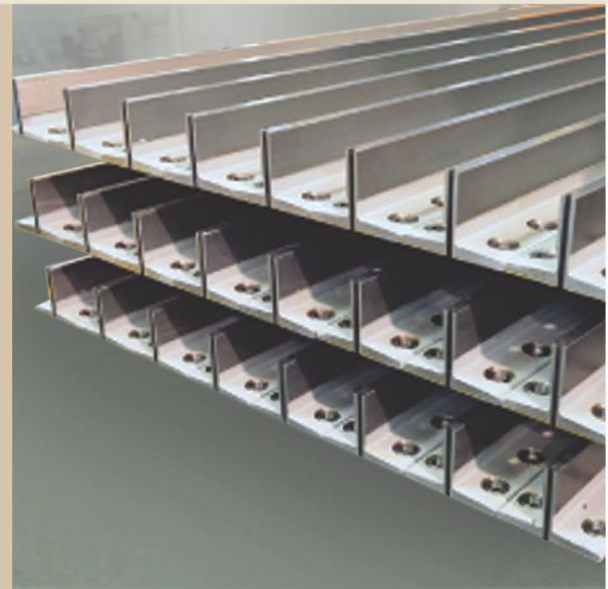


Plastic COP & LOP

Surface Mounted
COP & LOP

Guide Rails

Machined Guide Rail

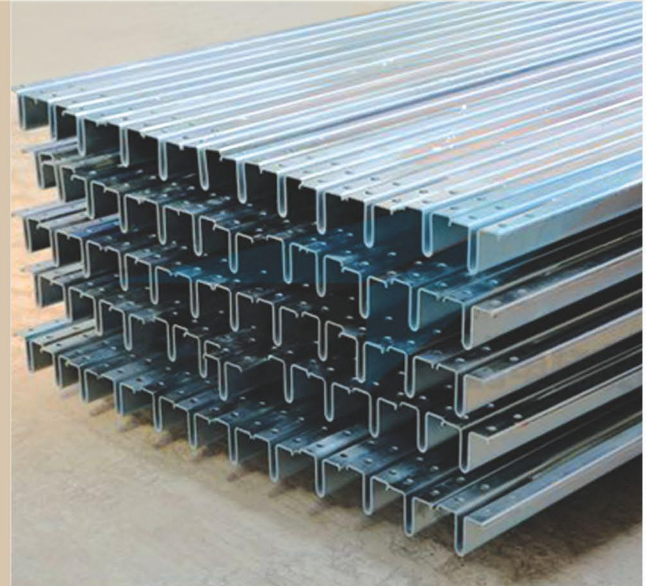
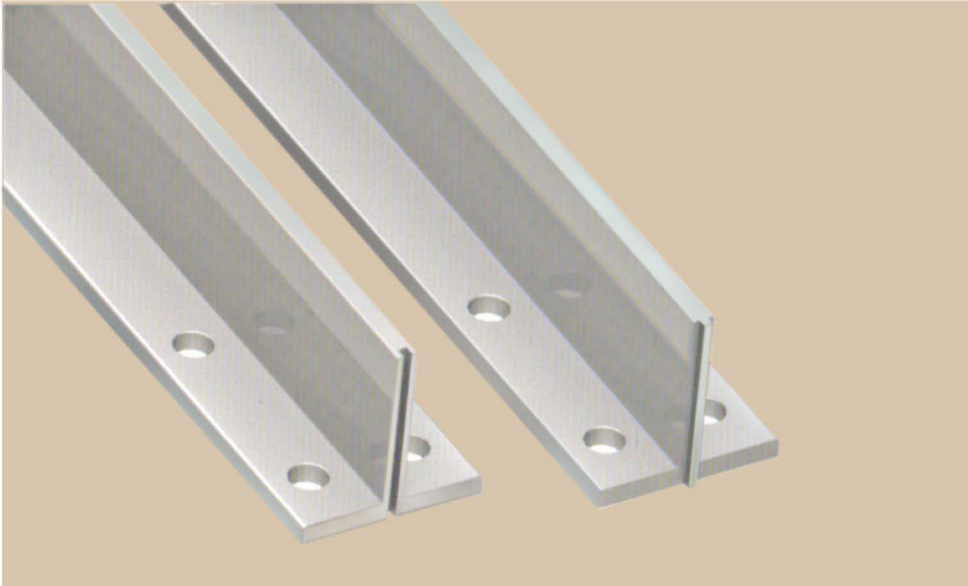


Dimension of Machine Guide Rail

Guide Rail Size	b1	h1		k	n	c	g	f	rs	m1	m2	t1	t2	l1	l2	l3	b3	d	d1
	Tolerance																		
	±1.5	±0.75	±0.1	0 to +0.1	0 to +3		±0.75			0 to +0.06	-0.06 to 0.3	±0.1	±0.1	0 to 3	±0.2	±0.2	±0.2		
T70-1/B	70	65	64	9	34	6	6	8	1.5	3	2.97	3.5	3	128	105	25	42	13	26
T75-3/B	75	62	61	10	30	8	7	8	3	3	2.97	3.5	3	123	90	30	43	13	26
T78/B	78	56	55	10	25	8	7	9	3	3	2.97	3.5	3	123	90	30	43	13	26
T82/B	8.5	68.25	66.6	9	25.4	7.5	6	8.25	3	3	2.97	3.5	3	111	81	27	50.8	13	26
T89/B	89	62	61	16	33.4	10	7.9	11.1	3	6.4	6.37	7.14	6.35	156	114.3	38.1	57.5	13	26
T90/B	90	75	74	16	42	10	8	10	4	6.4	6.37	7.14	6.35	156	114.3	38.1	57.5	13	26
T114/B	114	89	88	16	38	10	8	12	4	6.4	6.37	7.14	6.35	156	114.3	38.1	74	17	33
T127-1/B	127	89	88	16	44.5	10	8	11.1	4	6.4	6.37	7.14	6.35	156	114.3	38.1	79.4	17	33
T127-2/B	127	89	88	16	50.8	10	12.7	15.9	5	6.4	6.37	7.14	6.35	156	114.3	38.1	79.4	17	33
T140-1/B	140	108	107	19	80.8	12.7	12.7	15.9	5	6.4	6.37	7.14	6.35	193	152.4	31.8	92.1	21	40
T140-2/B	140	102	101	28.6	50.8	17.5	14.5	17.5	5	6.4	6.37	7.14	6.35	193	152.4	31.8	92.1	21	40
T140-3/B	140	127	126	31.75	57	19	17.5	25.4	5	6.4	6.37	7.14	6.35	193	152.4	31.8	92.1	21	40

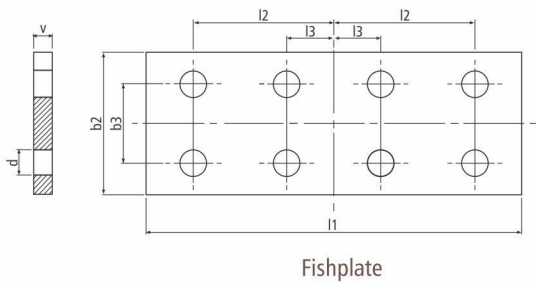
Guide Rails

Cold Drawn

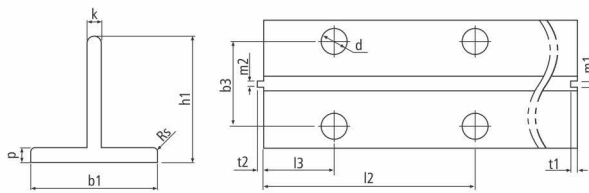


Dimension of Fishplate

Size of Fishplate	d1	k	b2	b3	l1	l2	l3	v	h3
	Tolerance								
			±0.2	±1.5	±0.2	±0.2	0 to +0.2	±0.05	
T45/A		9	50	25	160	65	15	8	
T50/A		9	50	30	200	75	25	8	
T70-1/A		13	70	42	250	105	25	10	
T70-1/B		13	70	42	250	105	25	10	
T75-3/B		13	75	43	240	90	30	10	
T78/B		13	75	43	240	90	30	10	
T82/B		13	80	50.8	216	81	27	10	
T89/B		13	90	57.2	280	114.3	38.1	13	
T90/B		13	90	57.2	280	114.3	38.1	13	
T114/B		17	115	74	300	114.3	38.1	18	
		17	130	79.4	305	114.3	38.1	18	
T127-2/B		17	130	79.4	300	114.3	38.1	18	
T140-1/B		21	140	92.1	380	152.4	31.8	28	
T140-2/B		21	140	92.1	380	152.4	31.8	28	
T140-3/B		21	140	92.1	380	152.4	31.8	38	



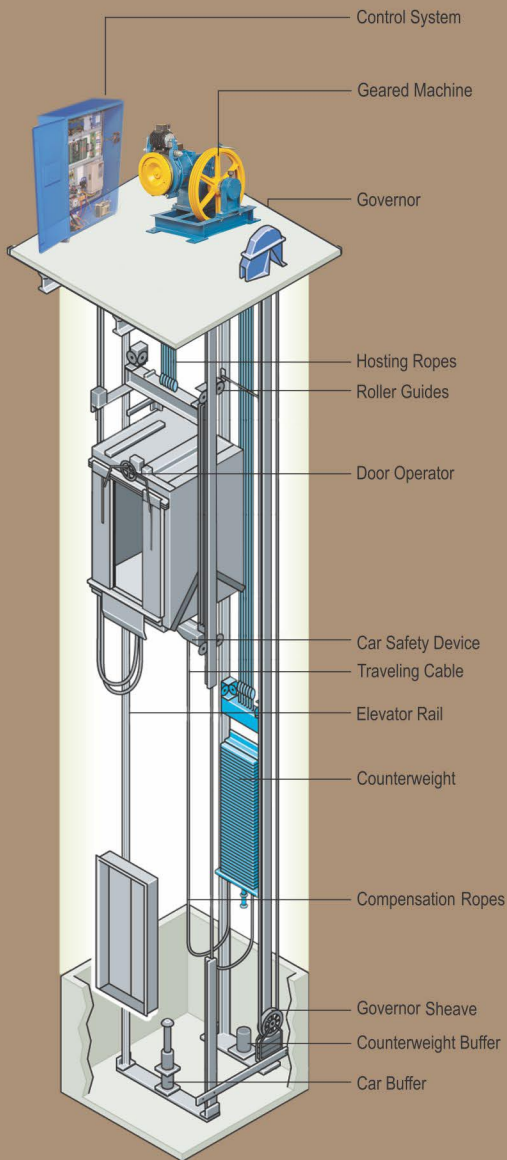
Fishplate



Cold Drawn Guide Rails

Dimension of Cold Drawn Guide Rails

Size of Guide Rail	b1	h1	k	p	rs	m1	m2	t1	t2	l2	l3	b3	d
	Tolerance												
	±0.5	±0.2	±0.15	±0.5		0 to +0.06	-0.06 to 0	±0.1	±0.1	±0.2	±0.2	±0.3	
T45/A	45	45	5	5	1	2	1.95	2.5	2	65	15	25	9
T50/A	50	50	5	5	1	2	1.95	2.5	2	75	15	30	9
T70-1/A	±0.5	±0.1	0 to +0.1	±0.5		0 to +0.06	-0.06 to 0	±0.1	±0.1	±0.2	±0.2	±0.2	
	70	65	9		1.5	3	3	3.5	3	105	25	42	13



KAMAX

Head Office :
KAMAX ENGINEERING PVT. LTD.
 37 / 1 / A G.I.D.C. Odhav,
 Opp. Jay Chemical Factory,
 Odhav, Ahmedabad - 382415 India.

Mobile : + 91 - 99250 76725
 Phone : + 91 - 79 - 2289 1924, 25.

E-mail : kamaxengg@gmail.com
 Web : www.maxtongroup.in

Branch Office : **Hyderabad**
MAXTON ENGINEERING COMPANY
 D. No. 11-6-24/2 & 3/3, Nr, Opp. IDPL Factory,
 Beside HMR. Steel, Balanagar,
 Hyderabad-500037. (Telangana)

Mobile : + 91 85004 80001, 99250 76725

E-mail : maxton127@gmail.com
kamaxengg@gmail.com

Branch Office : **Delhi**
MAXTON ELEVATOR TRADING
 Plot No. 206 / 207, Ramesh Rana Complex,
 Rithala Industrial Area, Rithala, Delhi - 110085

Mobile : + 91 - 99250 76725

E-mail : maxton127@gmail.com
 Web : www.maxtongroup.in