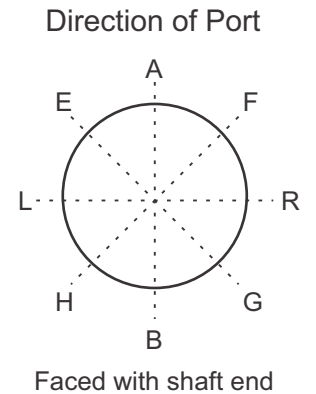
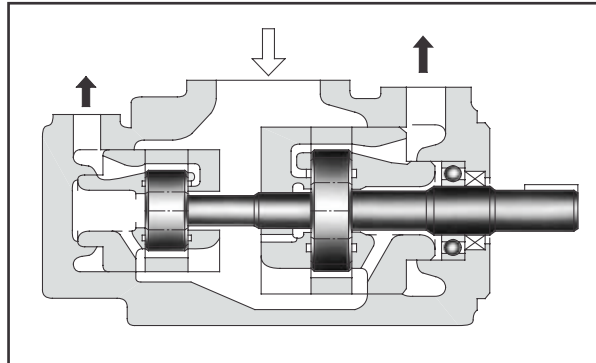
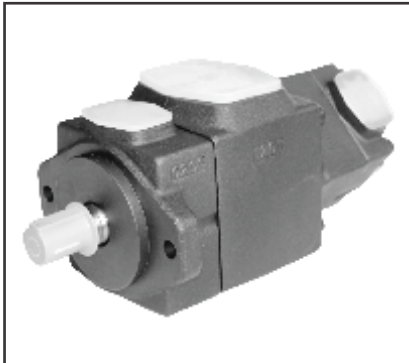


H-VP Series High Performance Low noise vane pumps

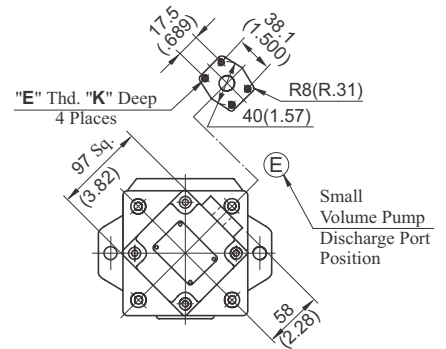
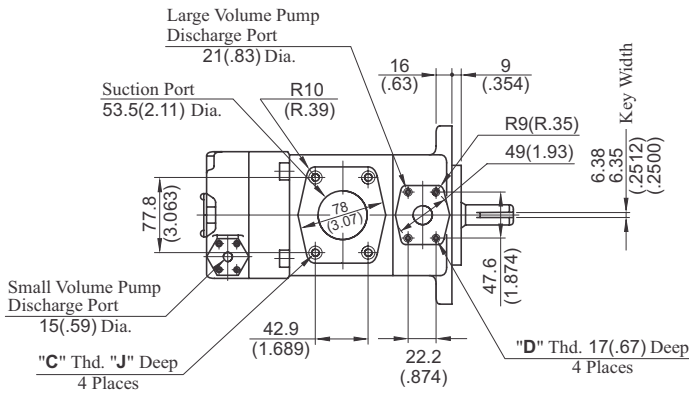
DOUBLE PUMPS



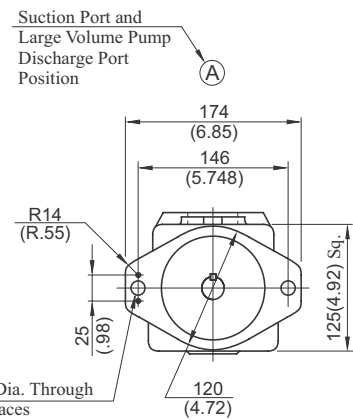
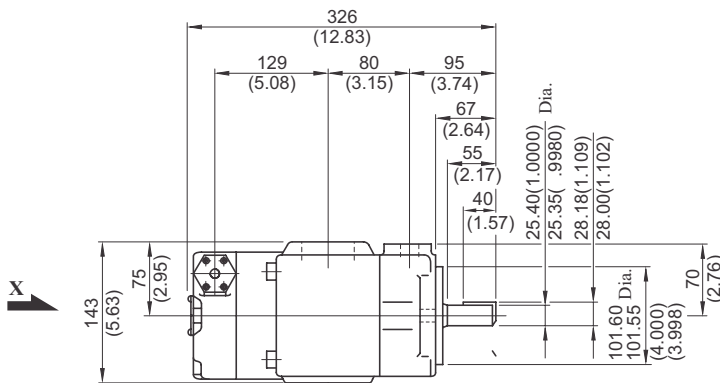
ORDERING CODE

F-	H-VP1020	-6	-65	A	A	A	-R	-60	
Special Seals	Series Number	Small Volume Pump Nominal Displacement cm ³ /rev	Large Volume Pump Nominal Displacement cm ³ /rev	Small Volume Pump Discharge Port Position	Large Volume Pump Discharge Port Position	Suction Port Position	Direction of Rotation	Design Number	
F: Special seals for phosphate ester type fluids (Omit if not required)	H-VP1020	4, 6, 8 10, 12 14, 17 19, 23 25, 28, 31	26, 33 41, 47 53, 59 65	(Viewed from Shaft End)			A: Upwards (Normal)	A: Upwards (Normal)	60
	H-VP1030	4, 6, 8 10, 12 14, 17 19, 23 25, 28, 31	52, 60, 66 76, 94 116, 125 136, 153	A: Upwards (Normal)	60				
	H-VP2030	26, 33 41, 47 53, 59 65	52, 60, 66 76, 94 116, 125 136, 153	E: Left 45 Upwards (Normal)	60				
	H-VP3030	52, 60, 66 76, 94, 116, 125, 136, 153	52, 60, 66 76, 94, 116, 125, 136, 153	A: Upwards (Normal)	60				
	H-VP1040	4, 6, 8 10, 12 14, 17 19, 23 25, 28, 31	136, 153 184, 200 237	A: Upwards (Normal)	60				
	H-VP2040	26, 33 41, 47 53, 59, 65		60					
	H-VP3040	52, 60, 66 76, 94, 116, 125, 136, 153		E: Left 45 Upwards (Normal)	60				

H-VP1020 (Flange Mount)



View Arrow X



Model Numbers	"C" Thd.	"D" Thd.	"E" Thd.	Dimensions mm (Inches)	
				J	K
H-VP1020 (Flange Mount)	M-12	M-10	M-8	19 (.75)	14 (.55)

Model Numbers	Approx. Weight (kg)
H-VP1020	25.1

Specifications

Model Numbers	Nominal Displacement cm ³ /rev	Max. Operating Pressure MPa (PSI)					
		Petroleum Base Oils		Water Containing Fluids			Synthetic Fluids
		Anti-Wear Type	R & O Type	Anti-Wear Type Water Glycols	Water Glycols	Water in Oil Emulsions	Phosphate Esters
4	4.3	21 (3050)	16 (2320)	16 (2320)	7 (1020)	7 (1020)	16 (2320)
6	5.8						
8	8.0						
10	9.4						
12	12.2						
14	13.7						
17	16.6						
19	18.6						
23	22.7	16 (2320)					
25	25.3						
28	29.6						
31	31.0	21 (3050)	14 (2030)	16 (2320)	7 (1020)	7 (1020)	14 (2030)
26	25.3						
33	32.3						
41	39.8						
47	49.8						
53	51.5						
59	55.8						
65	63.7						