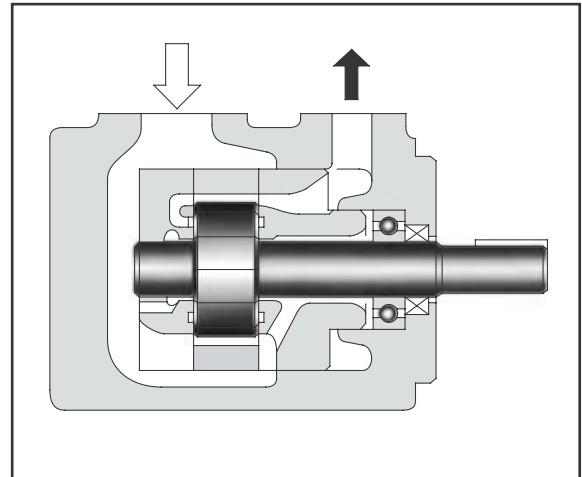
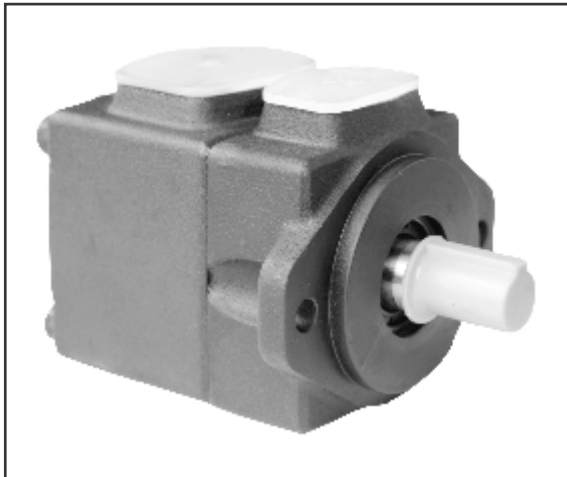
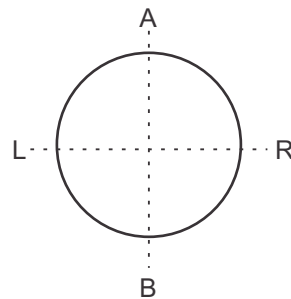


# H-VP Series High Performance Low noise vane pumps

## SINGLE PUMPS



Direction of Port

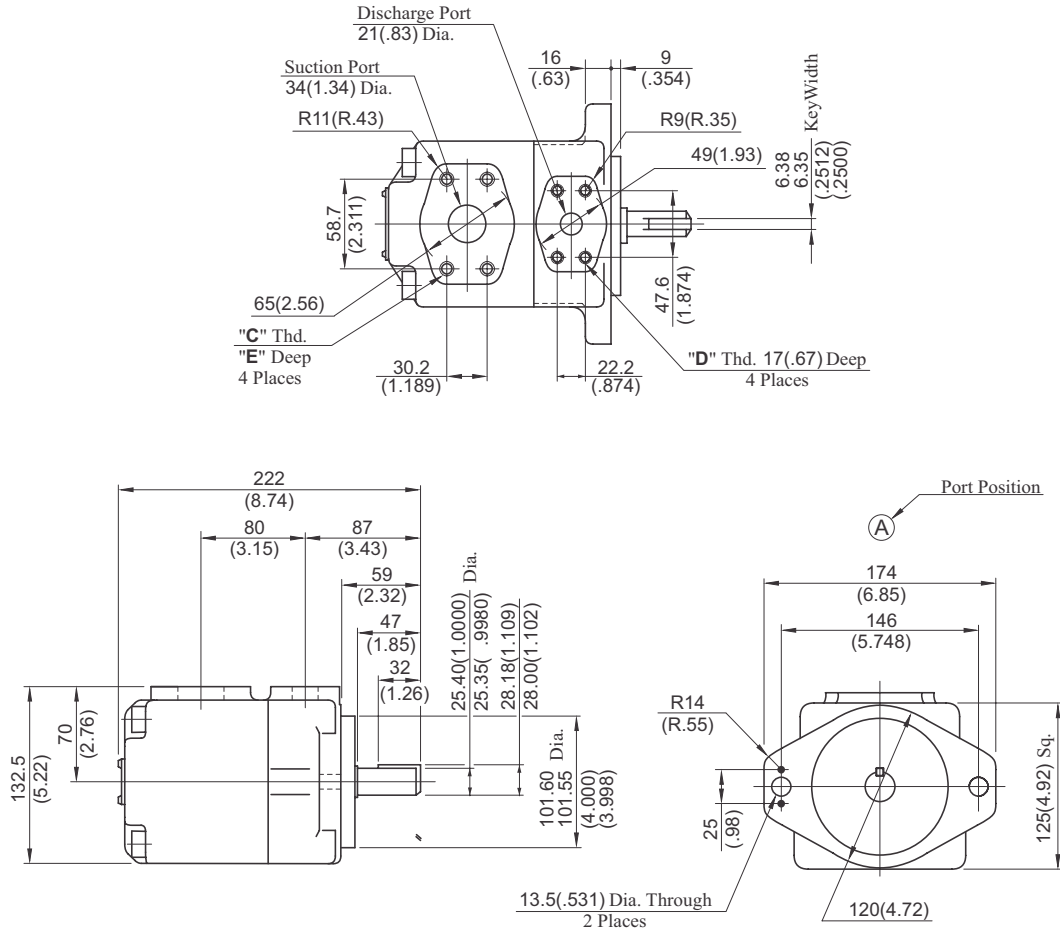


Faced with shaft end

### ORDERING CODE

F-	H-VP10	-6	A	A	-R	-60
Special Seals	Series Number	Nominal Displacement cm <sup>3</sup> /rev	Discharge Port Position	Suction Port Position	Shaft Rotation	Design Number
<b>F:</b> For phosphate ester type fluids (Omit if not required)	<b>H-VP10</b>	<b>4, 6, 8, 10, 12 14, 17, 19 23, 25, 28, 31</b>	(Viewed from Shaft End)  <b>A:</b> Upwards (Normal)	<b>A:</b> Upwards (Normal)	<b>R:</b> Clockwise (Normal)  <b>L:</b> Anticlockwise	<b>60</b>
	<b>H-VP20</b>	<b>26, 33, 41, 47 53, 59, 65</b>				<b>60</b>
	<b>H-VP30</b>	<b>52, 60, 66, 76, 94, 116, 125, 136, 153</b>				<b>60</b>
	<b>H-VP40</b>	<b>136, 153, 184 200, 237</b>				<b>60</b>

# H-VP20 (Flange Mount)



Model Numbers	"C" Thd.	"D" Thd.	E mm (Inches)
H-VP20 (Flange Mount)	M-10	M-10	19 (.75)

Model Numbers	Approx. Weight (kg)
H-VP20	16.0

## Specifications

Model Numbers	Nominal Displacement cm <sup>3</sup> /rev	Max. Operating Pressure MPa (PSI)					
		Petroleum Base Oils		Water Containing Fluids			Synthetic Fluids
		Anti-Wear Type	R & O Type	Anti-Wear Type Water Glycols	Water Glycols	Water in Oil Emulsions	Phosphate Esters
26	25.3	21 (3050)	14 (2030)	16 (2320)	7 (1020)	7 (1020)	14 (2030)
33	32.3						
41	39.8						
47	49.8						
53	51.5						
59	55.8						
65	63.7						