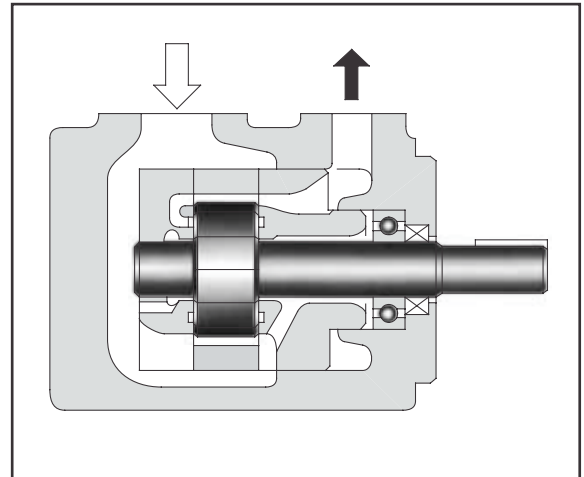
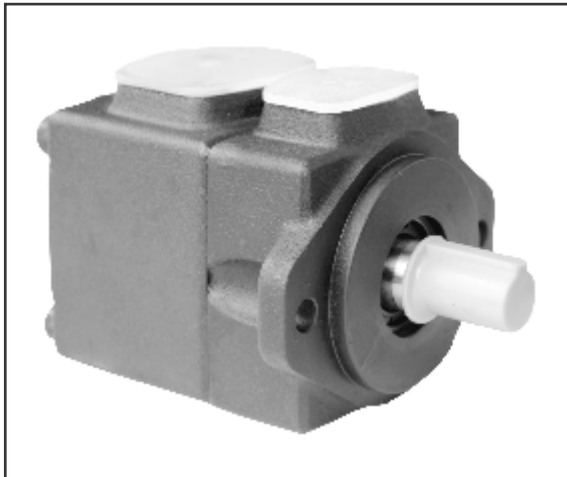
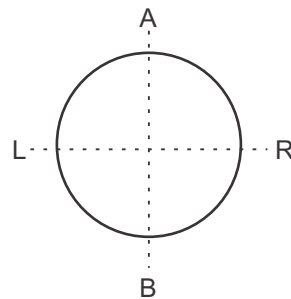


H-VP Series High Performance Low noise vane pumps

SINGLE PUMPS



Direction of Port

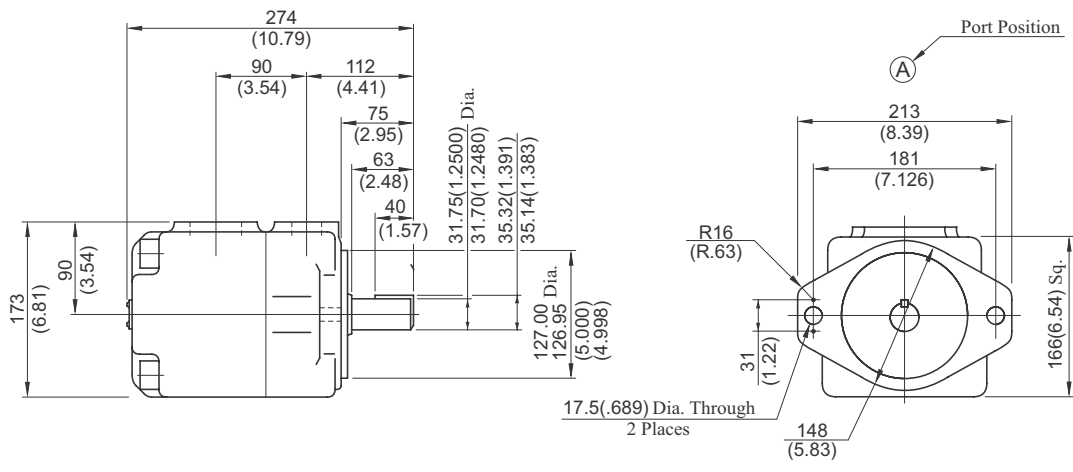
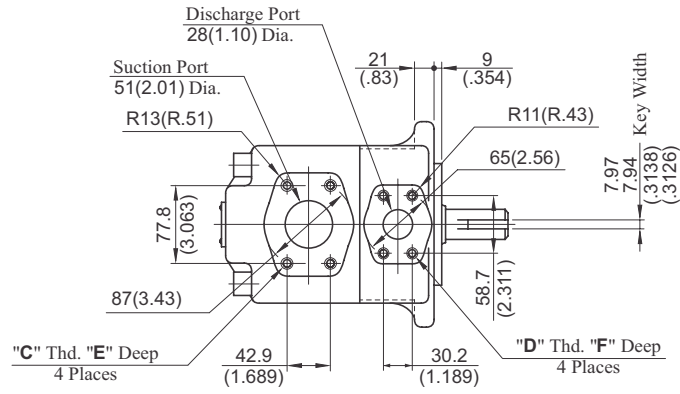


Faced with shaft end

ORDERING CODE

F-	H-VP10	-6	A	A	-R	-60
Special Seals	Series Number	Nominal Displacement cm ³ /rev	Discharge Port Position	Suction Port Position	Shaft Rotation	Design Number
F: For phosphate ester type fluids (Omit if not required)	H-VP10	4, 6, 8, 10, 12 14, 17, 19 23, 25, 28, 31	(Viewed from Shaft End) A: Upwards (Normal)	A: Upwards (Normal)	R: Clockwise (Normal)	60
	H-VP20	26, 33, 41, 47 53, 59, 65				60
	H-VP30	52, 60, 66, 76, 94, 116, 125, 136, 153			L: Anticlockwise	60
	H-VP40	136, 153, 184 200, 237				60

H-VP30 (Flange Mount)



Model Numbers	"C" Thd.	"D" Thd.	E & F mm (Inches)	
H-VP30 (Flange Mount)	M-12	M-10	19 (.75)	19 (.75)

Model Numbers	Approx. Weight (kg)
H-VP30	32.0

Specifications

Model Numbers	Nominal Displacement cm ³ /rev	Max. Operating Pressure MPa (PSI)					
		Petroleum Base Oils		Water Containing Fluids			Synthetic Fluids
		Anti-Wear Type	R & O Type	Anti-Wear Type Water Glycols	Water Glycols	Water in Oil Emulsions	Phosphate Esters
52	51.5	21 (3050)	14 (2030)	16 (2320)	7 (1020)	7 (1020)	14 (2030)
60	63.7						
66	66.6						
76	75.5						
94	89.5						
116	118	16 (2320)					
125	122.2						
136	136						
153	153						