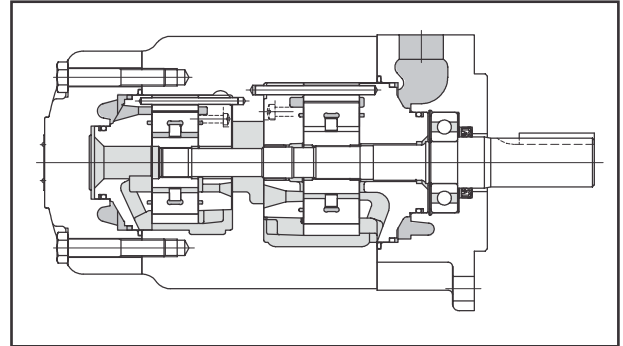


H-SQP Series Low noise fixed displacement vane pumps

DOUBLE PUMPS



ORDERING CODE

(F3) - H-SQP32 - 35 - 17 - 86-CD- (LH) - 18

- 1
- 2
- 3
- 4
- 5
- 6
- 7
- 8
- 9

- 1** Fluid
Omit for mineral oil
F3: phosphate ester
F11: water glycol
- 2** Low noise fixed displ. double vane pump
H-SQP21 Series
H-SQP31,32 Series
H-SQP41,42,43 Series
- 3** Shaft end pump displacement

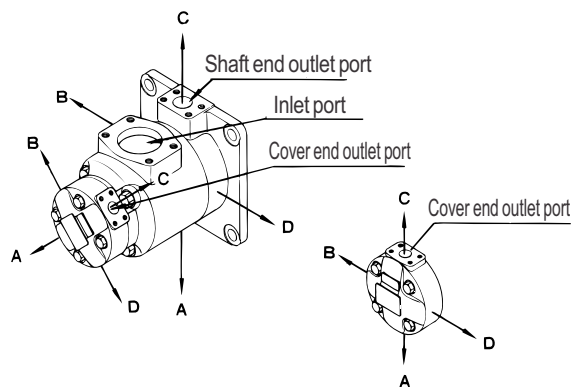
Series	Displacement
H-SQP2*	10,12,14,15,17,19,21
H-SQP3*	21,25,30,32,35,38,45
H-SQP4*	42,45,50,57,60,66,75

- 4** Cover end pump displacement

Series	Displacement
H-SQP*1	2,3,4,5,6,7,8,9,11,12,14
H-SQP*2	10,12,14,15,17,19,21
H-SQP*3	21,25,30,32,35,38,45

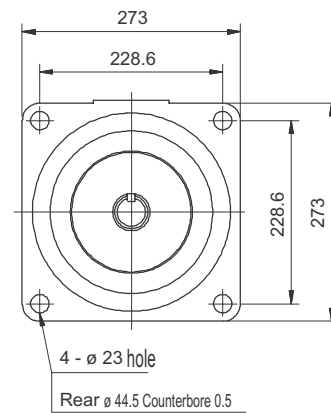
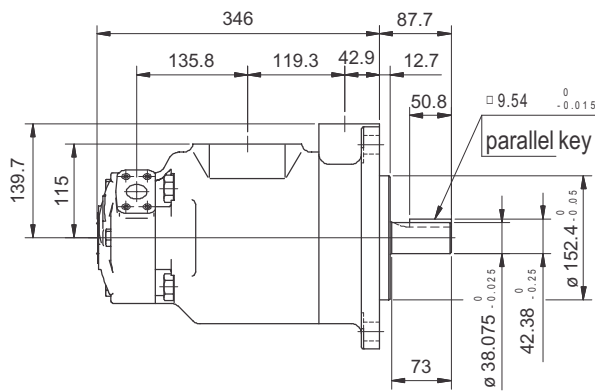
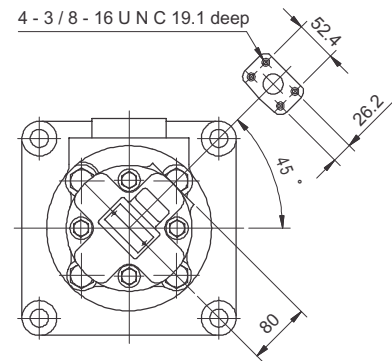
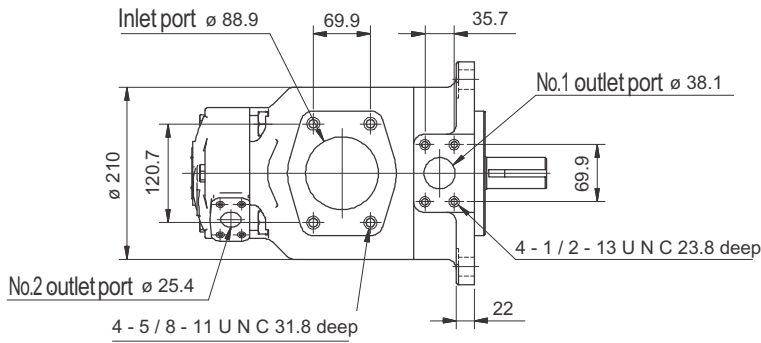
- 5** Shaft
86: parallel sq. key
1: parallel sq. key
- 6** Shaft end pump (viewed from cover end)
A: opposite inlet
B: 90° CCW from inlet
C: inline with inlet
D: 90° CW from inlet
- 7** Cover end pump (viewed from cover end)
A: 135° CCW from inlet
B: 45° CCW from inlet
C: 45° CW from inlet
D: 135° CW from inlet
- 8** Rotation (viewed from shaft end)
Omit for CW
LH: CCW
- 9** Design no

• Outlet port position



H-SQP43 Series

H-SQP42 (Flange Mount)



Model Numbers	Approx. Weight (kg)
H-SQP42	80.1

Specifications

Model	Shaft End Pump			Cover End Pump			Max. Speed min	Minimum Speed min ⁻¹
	Displacement	Nominal Displacement cm ³ /rev	Max. Working Press. MPa	Displacement	Delivery at 1000 min ⁻¹ 0.7Mpa L/min	Max. Working Press. MPa		
H-SQP42	42	134.0	17.5 * (14)	10	32.5	17.5 * (14)	1800 ▲ (1200) * (1200)	600
	45	140.0		12	38.3			
	50	156.0		14	43.3			
	57	178.0		15	46.7			
	60	189.0	17	52.5				
	66	207.0	14.0 * (12)	19	59.2			
	75	237.0		21	65.0			

*F3-H-SQP max. working pressure and speed with phosphate ester fluid
 ▲ F11-H-SQP max. speed with water-glycol fluid