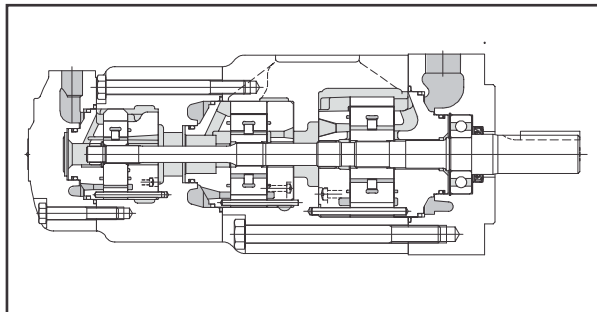


H-SQP Series Low noise fixed displacement vane pumps

TRIPLE PUMPS



ORDERING CODE

(F3) - H-SQP432 - 60 - 38 - 15 - 86 C C C - (LH) - 18

- 1 2 3 4 5 6 7 8 9 10 11

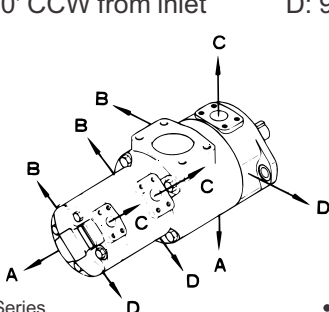
- 1 Fluid
Omit for mineral oil
F3: phosphate ester
F11: water glycol
- 2 Low noise fixed displ. triple vane pump
H-SQP211 Series
H-SQP311,321 Series
H-SQP421,431,432 Series
- 3 Shaft end pump displacement

Series	Displacement
H-SQP2**	10,12,14,15,17,19,21
H-SQP3**	21,25,30,32,35,38,45
H-SQP4**	42,45,50,57,60,66,75
- 4 Middle pump displacement

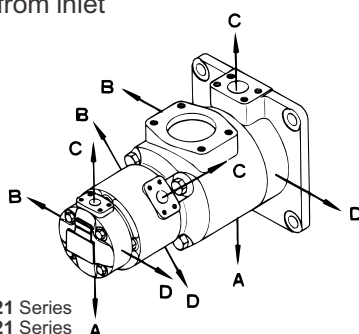
Series	Displacement
H-SQP*1*	2,3,4,5,6,7,8,9,11,12,14
H-SQP*2*	10,12,14,15,17,19,21
H-SQP*3*	21,25,30,32,35,38,45
- 5 Cover end pump displacement

Series	Displacement
H-SQP**1	2,3,4,5,6,7,8,(9),(11),(12),(14)
H-SQP**2	10,12,14,15,17,19,21
- 6 Shaft
86: parallel sq. key
- 7 Shaft end pump outlet position(viewed from cover end)
A: opposite inlet C: inline with inlet
B: 90' CCW from inlet D: 90' CW from inlet

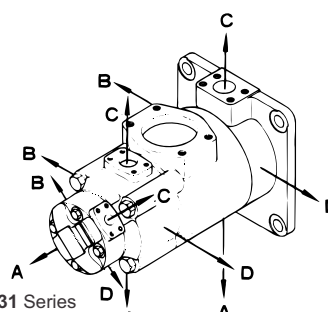
- 8 Middle pump outlet position(viewed from cover end)
SQP211,311,321,421
A: 135' CCW from inlet
B: 45' CCW from inlet
C: 45' CW from inlet
D: 135' CW from inlet
SQP431 ,432
A: opposite inlet
B: 90' CCW from inlet
C: inline with inlet
D: 90' CW from inlet
- 9 Cover end pump outlet position(viewed from cover end)
SQP211,311,431,432
A: 135' CCW from inlet
B: 45' CCW from inlet
C: 45" CW from inlet
D: 135' CW from inlet
SQP321,421
A: opposite inlet
B: 90' CCW from inlet
C: inlet with inlet
D: 90" CW from inlet
- 10 Rotation (viewed from shaft end)
Omit for CW
LH: CCW
- 11 Design no.



• H-SQP211 Series
• H-SQP311 Series

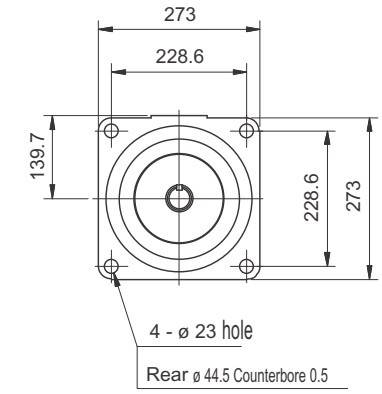
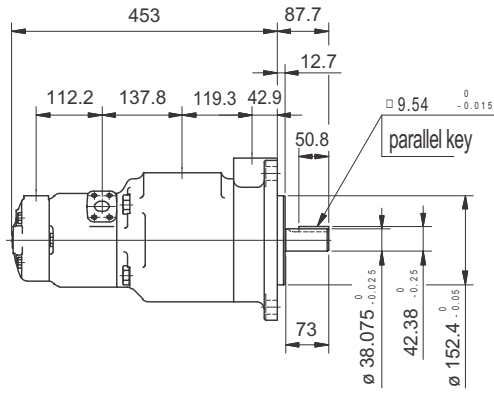
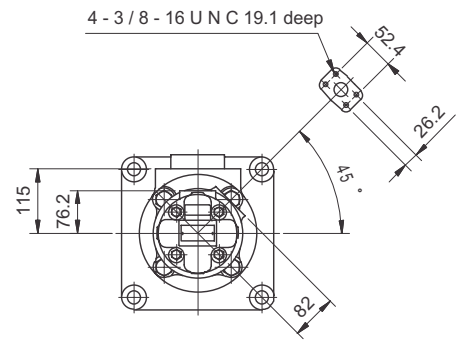
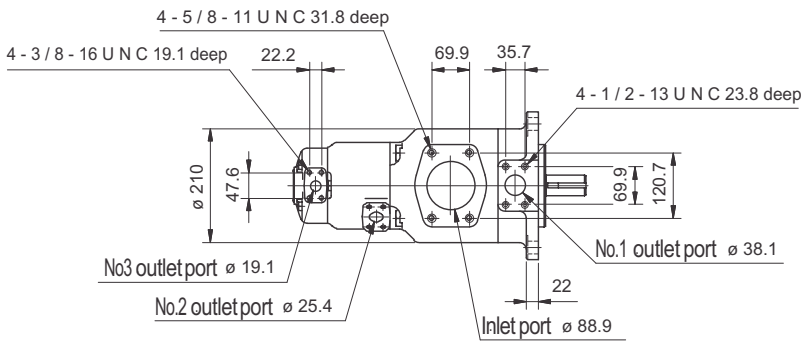


• H-SQP321 Series
• H-SQP421 Series



• H-SQP431 Series
• H-SQP432 Series

H-SQP421 (Flange Mount)



Model Numbers	Approx. Weight (kg)
H-SQP421	88.0

Specifications

Model	Shaft End Pump			Middle Pump			Cover End Pump								
	Displ. Code	Nominal Displacement cm^3/rev	Max. Working Press. MPa	Displ. Code	Delivery at 1000 min^{-1} 0.7Mpa L/min	Max. Working Press. MPa	Displ. Code	Delivery at 1000 min^{-1} 0.7Mpa L/min	Max. Working Press. MPa	Max. Speed min^{-1}					
										Mineral Oil	Water-Glycol	Phosphate Ester			
H-SQP421	42	134.0	17.5	10	32.5	17.5	2	7.5	14.0	1800	1200	1200			
	45	140.0		12	38.3		3	10.2							
	50	156.0		14	43.3		4	12.8							
	57	178.0		15	46.7		5	16.7							
	60	189.0	14.0	17	52.5		6	19.2	17.5				1200	1000	1000
	66	207.0		19	59.2		7	22.9							
	75	237.0		21	65.0		8	26.2							
				9	28.3		11	35.0							

*F3-H-SQP max. working pressure and speed with phosphate ester fluid

▲ F11-H-SQP max. speed with water-glycol fluid

Minimum speed min^{-1} 600