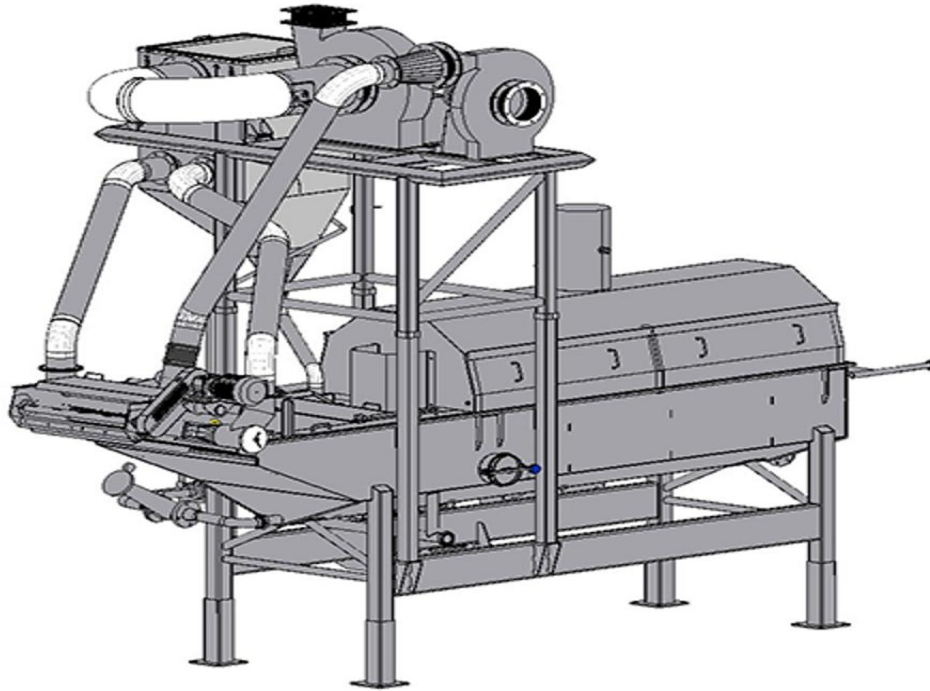


AIR KNIFE

The AIR KNIFE is an automatic solution designed for efficient air flow applications and material drying processes. Constructed from stainless steel, it ensures durability and corrosion resistance. It operates on a three-phase system with 50 Hz frequency and voltage range of 220-440V, delivering consistent industrial performance. This eco-friendly system simplifies operations with automatic functionality and comes with a 1-year warranty.



Alternative Keywords: Air Knife System, Industrial Air Knife, Air Blower Drying System, Air Curtain Dryer, High Velocity Air Knife, Stainless Steel Air Knife, Conveyor Air Knife Dryer, Air Jet Drying System, Industrial Air Blower Knife, Air Wiping System, Surface Drying Air Knife

FAQs: Q: What material is used? A: Stainless steel. Q: Is it eco-friendly? A: Yes. Q: Phase? A: Three-phase. Q: Warranty? A: 1 year. Q: Operation? A: Fully automatic.