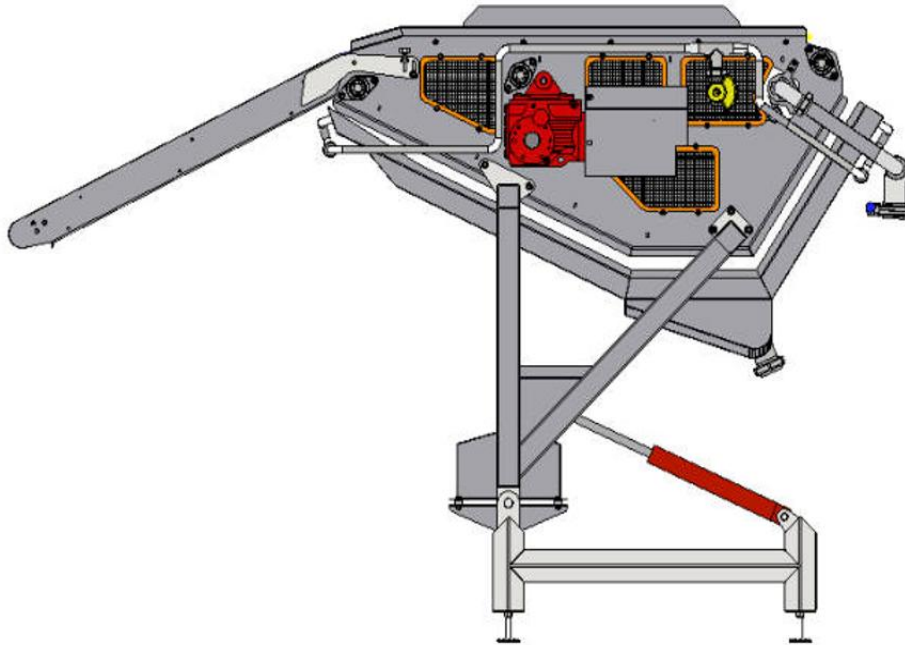


# Fryer Infeeder

The Fryer Infeeder is installed at the entrance of the French fry fryer. It ensures smooth and efficient feeding of products into the fryer. The rotatable design allows easy switching between battered and non-battered production.



Alternative Keywords: Fryer Loading Conveyor, Fryer Infeed Conveyor, French Fry Infeed System, Fry Line Conveyor, Food Processing Infeeder, Rotary Fryer Feeder, Battered Product Conveyor, Non-Battered Infeed System, Snack Processing Conveyor, Industrial Fryer Feeding Machine