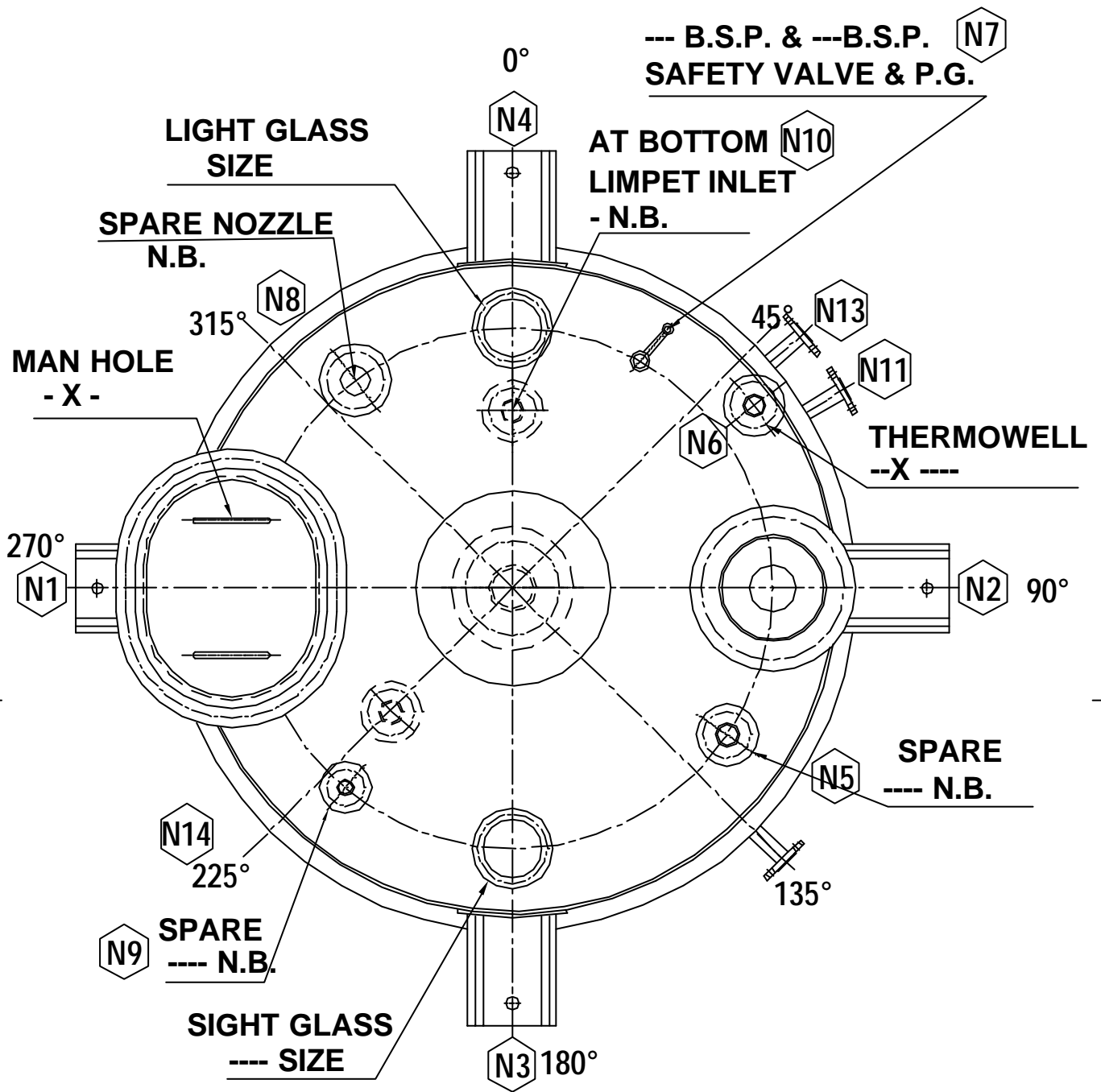


# JACKET VESSEL NOZZLE ORIENTATION



NOZZLE NO.	N. B.	ON 0° TO 360°	SCH. THK.	FLANGES.			DESCRIPTION.
				RATING.	FACE.	TYPE.	
N 1.			40 / -	ANSI 150#	R.F.	TYP	MAN - HOLE.
N 2.			40 / -	ANSI 150#	R.F.	SLIP ON.	VAPOUR OUTLET
N 3.						PAD.	SIGHT GLASS.
N 4.						PAD.	LIGHT GLASS.
N 5.			40 / -	ANSI 150#	R.F.	SLIP ON.	SPARE.
N 6.			40 / -	ANSI 150#	R.F.	SLIP ON.	THERMO-WELL - QTY. -
N 7.			40 / -	ANSI 150#	R.F.	SLIP ON.	SPARE.
N 8.			40 / -	ANSI 150#	R.F.	SLIP ON.	SEFTY VALVE
N 9.			40 / -	ANSI 150#	R.F.	SLIP ON.	SPARE.
N 10.			40 / -	ANSI 150#	R.F.	SLIP ON.	JACKET OUT LET
N 11.			40 / -	ANSI 150#	R.F.	SLIP ON.	JACKET INLET
N 12.			40 / -	ANSI 150#	R.F.	SLIP ON.	BOTTOM OUT - LET.
N 13.			40 / -	ANSI 150#	R.F.	SLIP ON.	JACKET OUT LET
N 14.			40 / -	ANSI 150#	R.F.	SLIP ON.	JACKET INLET



**S. S. ENGINEERING**

FAC. & OFF. :- C 1-B, HATKESH UDYOG NAGAR, KASHI MIRA - BHAYANDAR ROAD, MUMBAI-401 104.

TELE. :- (O) - : 2811 15 41  
: 2813 16 48  
FAX.No.(91-22):2812 54 78

CLIENT :-

TITLE :- NOZZLE ORIENTATION

ENQ.No. :-

DATE. :-