

## COMPANY PROFILE

**S. S. ENGINEERING** is in the field of Manufacturing & Exporting of Chemical Processing equipments for the past three decades providing innovative & cost effective solutions to the Machinery & Equipment needs of various industries viz.

- **BULK DRUGS**
- **PLASTICS**
- **FOOD PROCESSING**
- **POLYMERS**
- **CHEMICALS**
- **ADHESIVES & COATINGS**



### Our product range includes

- **REACTION VESSEL (JACKETED & LIMPET)**
- **HEAT EXCHANGERS (CONDENSOR)**
- **STORAGE TANKS**
- **MIXERS**
- **BLENDERS**
- **FILTERS**
- **EVAPORATORS**
- **DRYERS (DRUM DRYERS)**
- **CENTRIFUGES (HYDRO EXTRACTOR)**
- **DISTILLATION PLANTS**
- **DISTEMPER PAINT PLANT**

### We undertake turnkey project for

**BULK DRUG PLANT, POLYESTER RESIN PLANT, PHENOL FORMALDEHYDE RESIN PLANT, DISTEMPER PAINT PLANT, CATIONIC BITUMEN EMULSION PLANT, PVA/ALKYD RESIN PLANT**

We also undertake development of various equipments as per Customers drawings, design and or Specifications.

We have full fledged production set-up comprising of Pyramid type Plate & Pipe Bending machines, Coil forming Hydraulic Press, Center Lathes, Drill, Air Plasma, TIG/MIG Welding Rectifiers, Hydraulic Testing Machine etc.

We have good teams of qualified production personnel comprising of qualified X-ray welders, fitters, engineers, working under quality conscious skilled supervisor.

We assure timely execution of work entrusted to us maintaining optimum quality of workmanship giving reliable and trouble free performance of the Machines manufactured by us.

## JACKETED REACTION VESSEL

Reaction Vessel is one of the most important equipment of any chemical, food, drugs, dyes and allied industries.

There are various types of reaction vessel viz jacketed, Limpet coil in Body flange or Welded Types, Top open type, Top dish type etc.

We manufacture Reaction Vessel with capacity ranging from 100 litres to 20,000 litres in Material of Construction Stainless Steel & Mild Steel and Rubber lined depending on the requirement of the Material to be processed.

### JACKETED REACTION VESSEL :

Jacketed Vessel can be made of Mild Steel or Stainless Steel as per the application of the user.

### LENTON ASSEMBLY

Lenton Assembly contains Bearing Housing with TOP Tapered Roller Bearing for High Accuracy and resistance to impact load & vibratory load and Ball Bearing at the bottom for smooth rotation. Stuffing Box is provided with Jacket for Cooling arrangement to give long life to Gland rope. Gland pusher is provided with Gunmetal Bush Bearing thus ensuring Minimized Friction giving longer life to the Gunmetal Bearing. Bearing Housing and Lenton Assembly are steel Fabricated made from M.S. Plates of suitable strength.



**Jacketed Vessel**



**Jacketed Vessel**

### JACKET WELDING

Jacket Closure Ring welding work is performed by using high grade filler rods to withstand closure ring tension.

### STIFFENER RING

Stiffener Ring is provided on Inner Shell of Jacket in between Inner Shell and Outer Jacket to intensify main Vessel and to provide uniform circulation and minimize stagnation of heating or cooling medium.

### WELDING

Welding work is performed by Argon Arc process using Good Characteristic Filler rods on all S. S. Parts. M. S. Parts welding is performed by D. C. Arc welding process using suitable electrodes of Advani Oerlikon make.

Drive System is specially Designed for Maintenance & Trouble Free Performance.

## LIMPET COIL REACTION VESSEL

Reaction Vessel is one of the most important equipment of any chemical, food, drugs, dyes and allied industries.

There are various types of reaction vessel viz jacketed, Limpet coil in Body flange or Welded Types, Top open type, Top dish type etc.

We manufacture Reaction Vessel with capacity ranging from 100 litres to 20,000 litres in Material of Construction Stainless Steel & Mild Steel and Rubber lined depending on the requirement of the Material to be processed.

### LIMPET COIL VESSEL

Limpet Coil can be made of Mild Steel or Stainless Steel as per the application of the user

### LENTON ASSEMBLY

Lenton Assembly contains Bearing Housing with TOP Tapered Roller Bearing for High Accuracy and resistance to impact load & vibratory load and Ball Bearing at the bottom for smooth rotation. Stuffing Box is provided with Jacket for Cooling arrangement to give long life to Gland rope. Gland pusher is provided with Gunmetal Bush Bearing thus ensuring Minimized Friction giving longer life to the Gunmetal Bearing. Bearing Housing and Lenton Assembly are steel Fabricated made from M.S. Plates of suitable strength.

### LIMPET WELDING

Limpet welding work is performed by using high grade filler rods depending on MOC of the Limpet coil to withstand design pressure.

Drive System is specially Designed for Maintenance & Trouble Free Performance.



**Double End Double  
Start Limpet Coil**



**Nozzle Orientation**

## TOP OPEN VESSEL

Top Open type vessel can be fabricated in Jacketed or Limpet Coil as per the applications. Top open vessel are similar to Reaction Vessel but can have hinged Lid on the 1/3rd opening.

### LENTON ASSEMBLY

Lenton Assembly contains Bearing Housing with TOP Tapered Roller Bearing for High Accuracy and resistance to impact load & vibratory load and Ball Bearing at the bottom for smooth rotation. Bearing Housing and Lenton Assembly are steel Fabricated made from M.S. Plates of suitable strength.

### FINISH

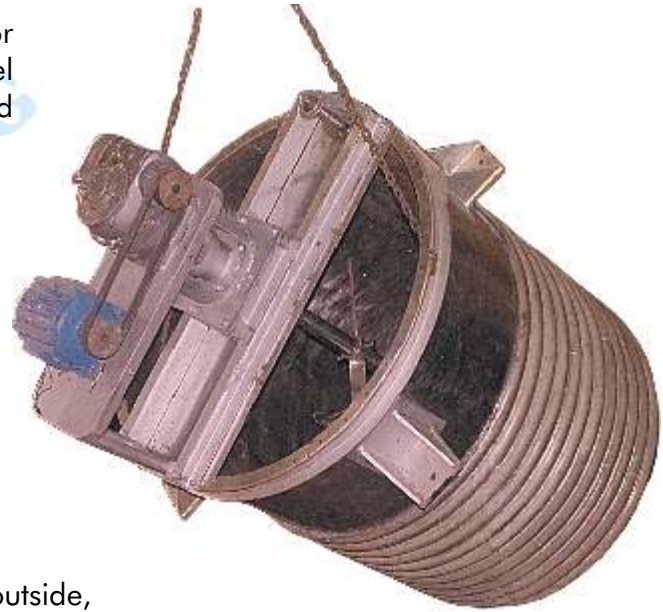
All weld joints will be finished from inside and outside, S. S. Parts are cleaned from inside and outside. Two coats of primer/redoxide will be given on M. S. parts from outside.

### SERVICE

Complete after sales servicing is provide by our fully trained and competent engineers.

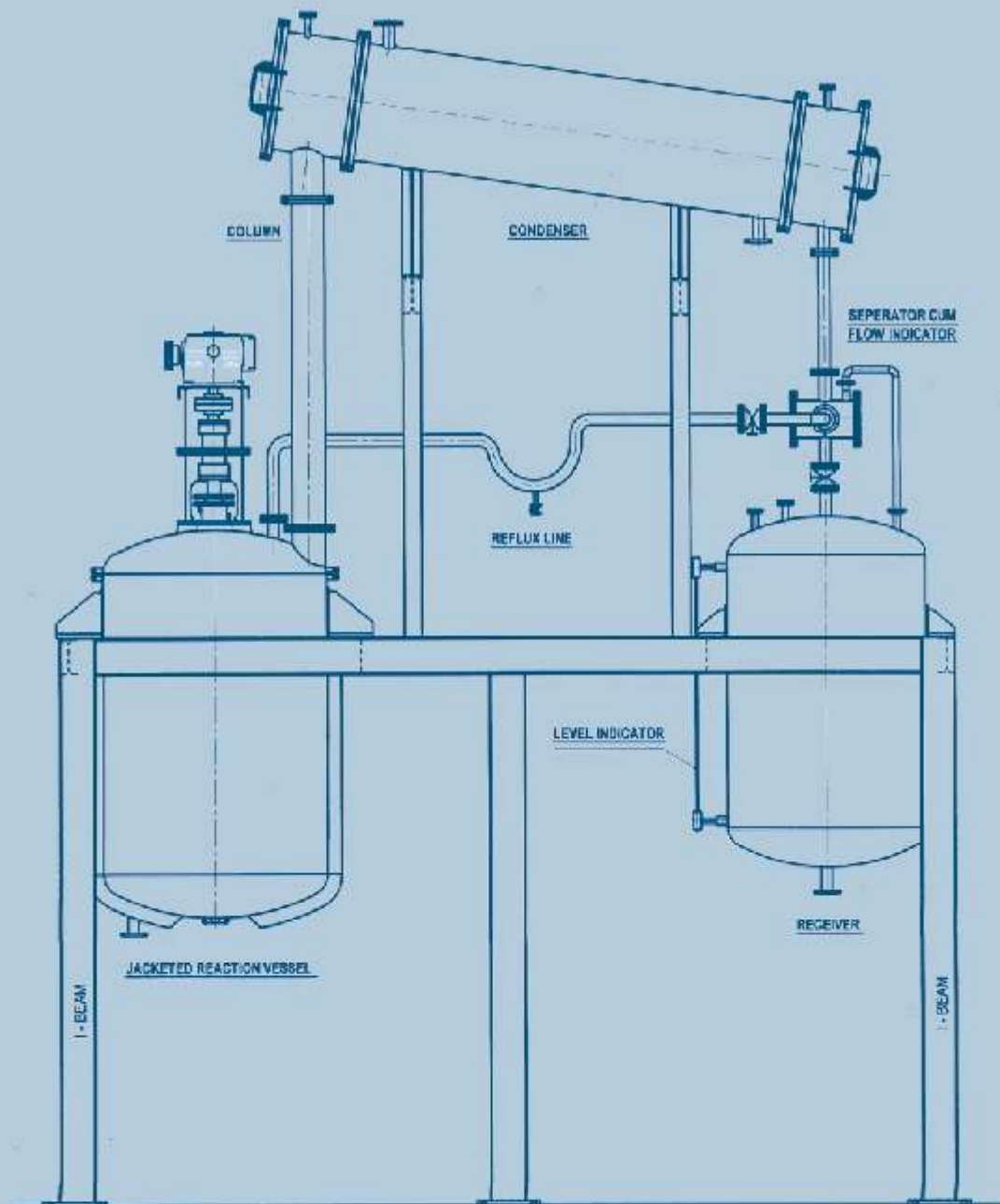
### TESTING

Equipments are tested Hydraulically as per design Pressure

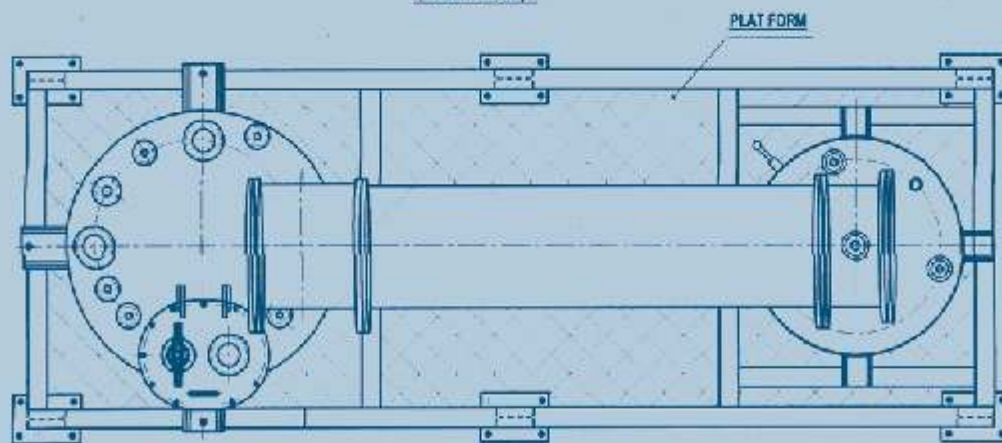


**TOP OPEN VESSEL**



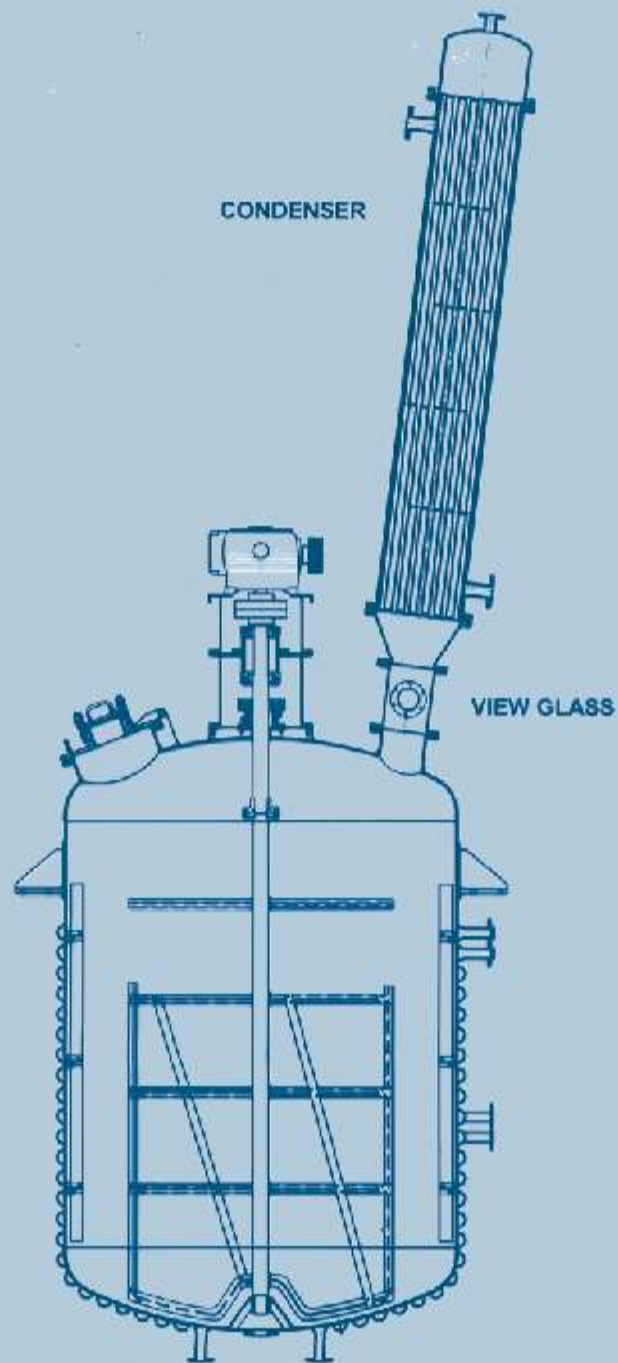


( FRONT - VIEW )

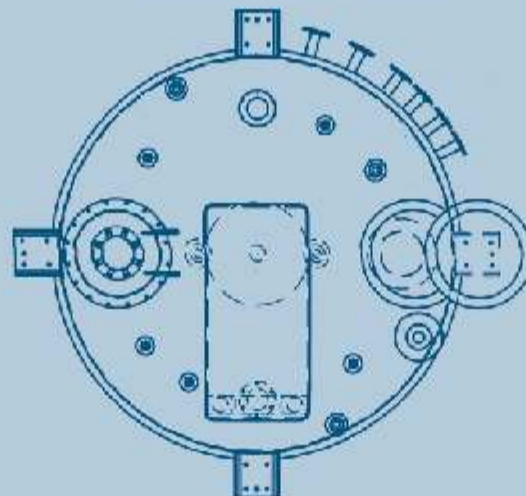


( TOP - VIEW )

**VIEW OF DISTILLATION PLANT**



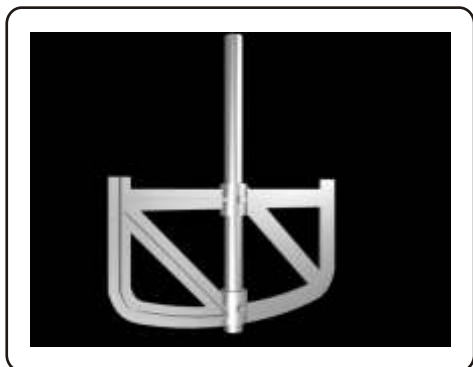
LIMPET REACTION VESSEL



ORIENTATION PLAN - VIEW

Mfg. Range from  
100 litres to 20,000 litres  
Material of Constructions  
SS 316 / SS 304 / or M.S.

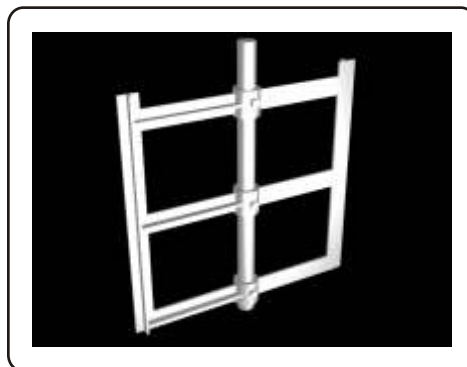
**Types of Blade & Agitator can be used in Reaction Vessels.**



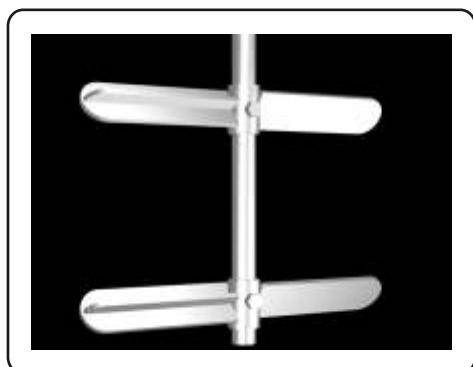
**Single Anchor**



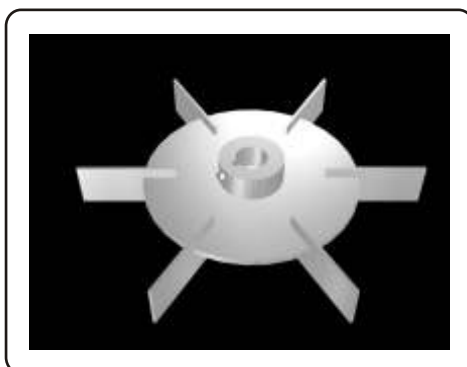
**Double Anchor**



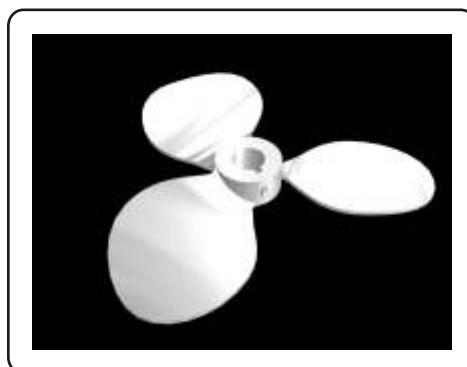
**Gate**



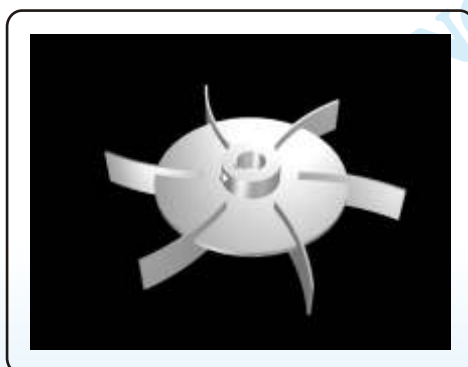
**Paddle**



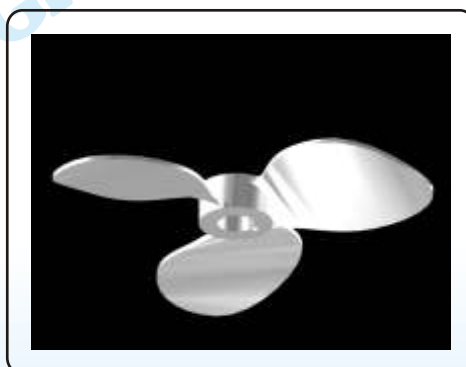
**Flat Blade Turbine**



**Marine Propeller**



**Curved Blade Turbine**



**Marine Propeller**