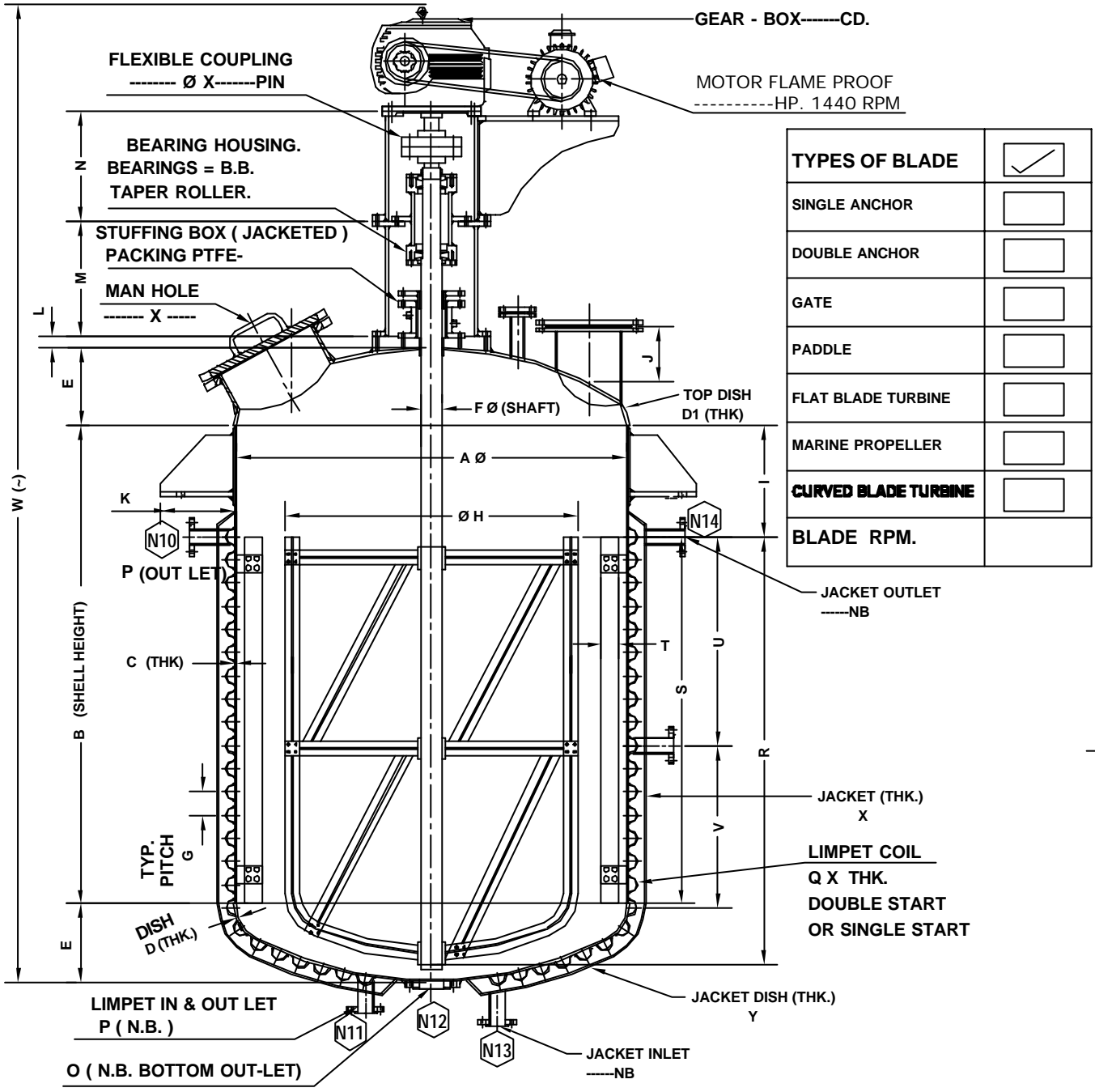


# LIMPET WITH JACKET REACTION VESSEL



TYPES OF BLADE	<input checked="" type="checkbox"/>
SINGLE ANCHOR	<input type="checkbox"/>
DOUBLE ANCHOR	<input type="checkbox"/>
GATE	<input type="checkbox"/>
PADDLE	<input type="checkbox"/>
FLAT BLADE TURBINE	<input type="checkbox"/>
MARINE PROPELLER	<input type="checkbox"/>
<b>CURVED BLADE TURBINE</b>	<input type="checkbox"/>
BLADE RPM.	

CAPACITY	A	B	C	D	D1	E	F	G	H	I	J	K		
	L	M	N	O	P	Q	R	S	T	U	V	W	X	Y

7	GEARBOX .	CENTER		
6	MOTOR	H.P.		
5	SHAFT	<input type="checkbox"/> 316	<input type="checkbox"/> 304	<input type="checkbox"/> MS
4	LIMPET COIL.	<input type="checkbox"/> SA312 TP 304		<input type="checkbox"/> M.S.
3	JACKET SHELL & DISH		<input type="checkbox"/> SA240Gr:304	<input type="checkbox"/> M.S.
2	DISH. ( TORISPHERICAL. )	<input type="checkbox"/> SA240Gr:316	<input type="checkbox"/> SA240Gr:304	<input type="checkbox"/> M.S.
1	SHELL.	<input type="checkbox"/> SA240Gr316	<input type="checkbox"/> SA240Gr304	<input type="checkbox"/> M.S.
NO.	DESCRIPTION.	MATE.	MATE.	MATE.



**S.S. ENGINEERING**

FAC. & OFF. :- C 1-B, HATKESH UDYOG NAGAR, KASHI MIRA - BHAYANDAR ROAD, MUMBAI:401 104.

TELE. :- (O) :- 2811 15 41  
: 2813 16 48  
FAX.No.(91-22) :2812 54 78

CLIENT :-

TITLE :- G.A. OF REACTION VESSEL

ENQ.No. :-

DATE. :-