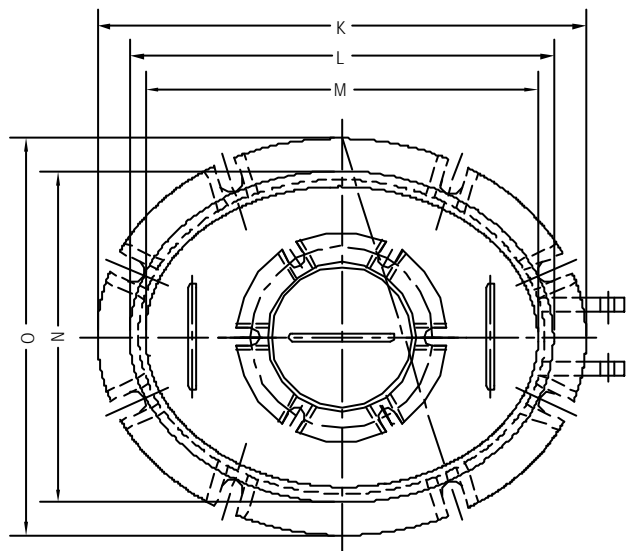
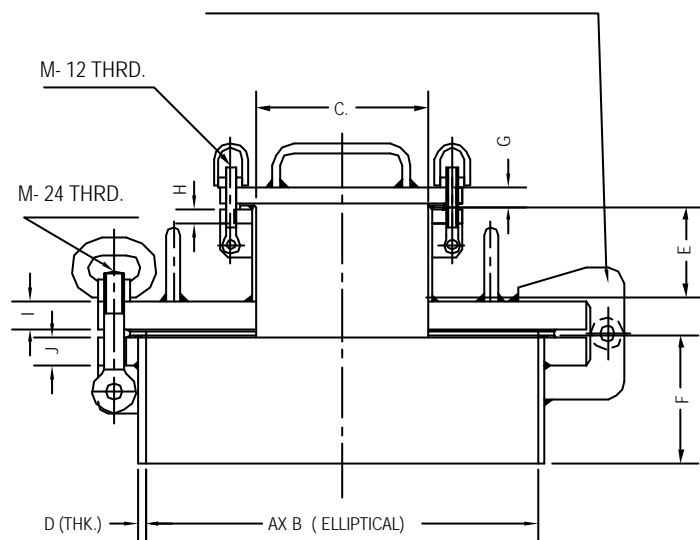
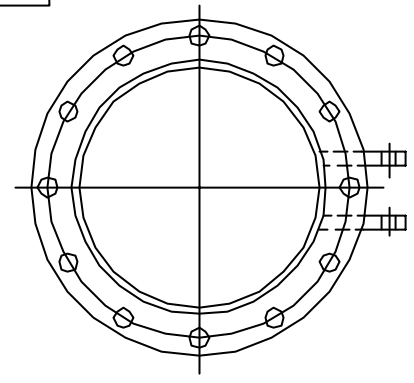
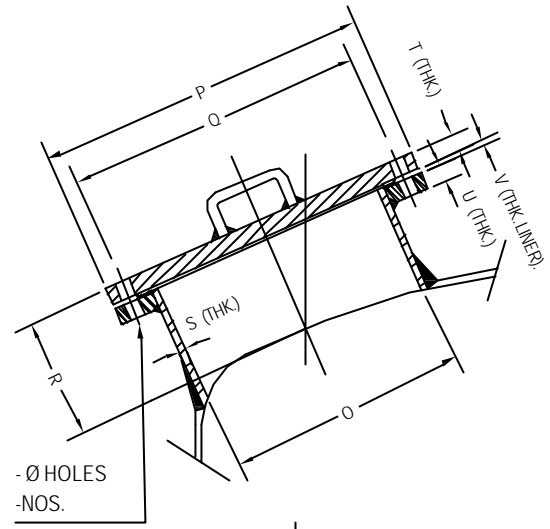




2 NOS HINGE PLATES OF 16 THK.  
WITHOUT SIDE 58 M.M. WIDE  
AND WITH SLOTTED HOLE 23 X 35 LONG.




**DETAIL OF MAN - HOLE**



**DETAIL OF MAN - HOLE**

<b>COOLING AREA</b>	A	B	C	D	E	F	G	H	I	J	K	L
	M	N	O	P	Q	R	S	T	U	V	W	X

6	LINER.	<input type="checkbox"/> SA240Gr:316	<input type="checkbox"/> SA240Gr:304	
5	LINER.	<input type="checkbox"/> NOT REQUIRED	<input type="checkbox"/> REQUIRED	
4	STUD AND NUT	<input type="checkbox"/> SA240Gr:316	<input type="checkbox"/> SA240Gr:304	<input type="checkbox"/> M.S.
3	HINGE PLATES	<input type="checkbox"/> SA240Gr:316	<input type="checkbox"/> SA240Gr:304	<input type="checkbox"/> M.S.
2	FLANGE	<input type="checkbox"/> SA240Gr:316	<input type="checkbox"/> SA240Gr:304	<input type="checkbox"/> M.S.
1	SHELL.	<input type="checkbox"/> SA240Gr:316	<input type="checkbox"/> SA240Gr:304	<input type="checkbox"/> M.S.
<b>NO.</b>	<b>DESCRIPTION.</b>	<b>MATE.</b>	<b>MATE.</b>	<b>MATE.</b>



**S. S. ENGINEERING**

FAC. & OFF. :- C 1-B, HATKESH UDYOG NAGAR, KASHI MIRA -  
BHAYANDAR ROAD, MUMBAI-401 104.

TELE. :- (0) :- 2811 15 41  
: 2813 16 48  
FAX.No (91-22) 2812 54 78

**CLIENT :-**

**TITLE :-DETAIL OF MAN - HOLE**

**ENQ.No. :-** **DATE. :-**