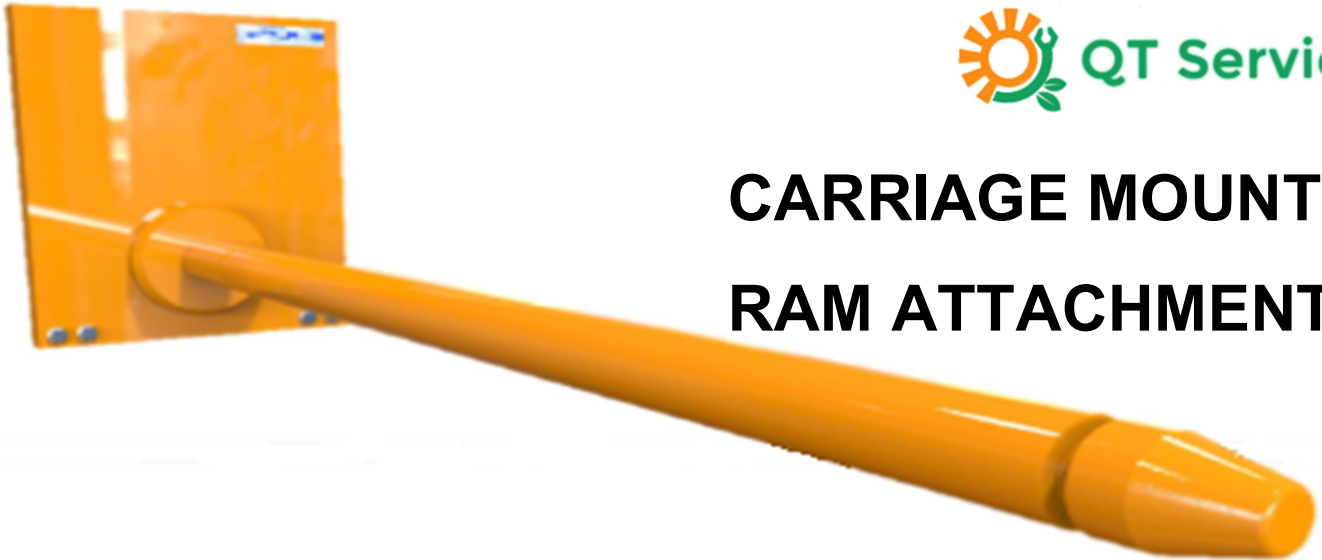


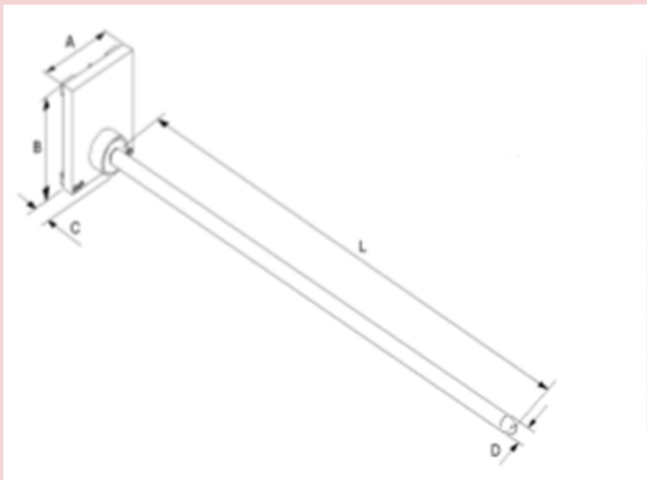
# CARRIAGE MOUNTED RAM ATTACHMENT



Contact carriage mounted Ram attachment or booms are ideal for handling cylindrical objects with a hollow core, such as rolls, reels and carpets. The unit comes complete with a solid steel lifting tine, manufactured to a specific length to suit your roll length and material type. Our carriage mounted booms comes as standard with heavy duty machined rear hangers for connecting to the truck carriage. Quick release hangers can also be fitted upon request.

All Contact booms come with a tapered nose, this allows the user to easily enter tight core's with the boom pole, without causing damage to the roll.

When fitting the boom to the truck, remove the bottom hangers and drive slowly forward until the carriage plate contacts the attachment back plate. Raise forks slowly until carriage plate is slightly below the top hangers now allowing re-fitting of the bottom hangers. When specifying a boom for a reach truck, always check the under carriage clearance. When this is greater than 150mm the boom is mounted 305mm lower in the back plate to allow ground level loads to be lifted.



Model no	Capacity @ 500 mm	Class 2		Class 3		Class 4			
		A	B	A	B	A	B	C	D
CMRA50	880	400	500	500	600	-	-	60	50
CMRA65	1750	400	500	500	600	-	-	80	65
CMRA70	2300	400	500	500	600	-	-	140	70
CMRA75	3000	400	500	500	600	-	-	140	75
CMRA90	4000	400	540	500	640	-	-	140	90
CMRA100	5300	-	-	-	-	400	790	140	100
CMRA115	7000	-	-	-	-	400	790	150	115
CMRA125	8200	-	-	-	-	400	790	150	125