

## Sealed Rechargeable Ni-MH Cell

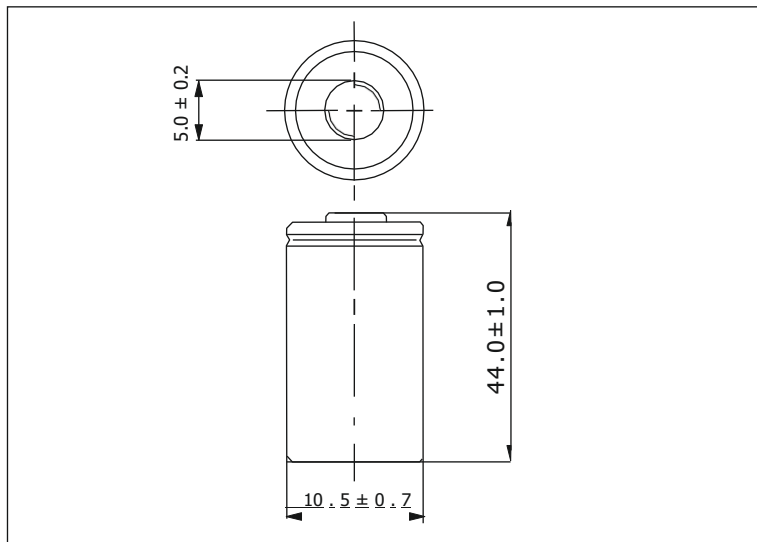
## AAA - 700 MAH

**TYPE: AAA 700 MAH (Flat Top)**

### Specifications of single cell ( For Reference )

|                                      |                   |                                 |               |
|--------------------------------------|-------------------|---------------------------------|---------------|
| <b>Nominal voltage</b>               |                   | 1.2V                            |               |
| <b>Nominal Capacity (C/5 Rate)</b>   |                   | 700mAh                          |               |
| <b>Capacity (Time)</b>               | At 0.2C Discharge |                                 |               |
|                                      | <b>Minimum</b>    | 300min                          |               |
|                                      | <b>Typical</b>    | 310min                          |               |
| <b>Charging Voltage</b>              |                   | 1.5V                            |               |
| <b>Discharge Cut off Voltage</b>     |                   | 1.0V                            |               |
| <b>Dimensions</b>                    | <b>Diameter</b>   | 10.5 ± 0.7 mm                   |               |
|                                      | <b>Height</b>     | 44.0 ± 1.0 mm                   |               |
| <b>Weight (Approximately)</b>        |                   | grams<br>11.6±0.3               |               |
| <b>Internal Impedance At 1000 Hz</b> |                   | 35m Ω (Max)<br>( After Charge ) |               |
| <b>Charge</b>                        | <b>Standard</b>   | 70mA (0.1C) × 15hrs             |               |
|                                      | <b>Rapid</b>      | 700mA (1.0C) × 1.1hrs           |               |
| <b>Ambient Temperature</b>           | <b>Charge</b>     | <b>Standard</b>                 | 0°C to 45°C   |
|                                      |                   | <b>Rapid</b>                    | 0°C to 40°C   |
|                                      | <b>Discharge</b>  |                                 | -20°C to 50°C |
|                                      | <b>Storage</b>    |                                 | -20°C to 40°C |

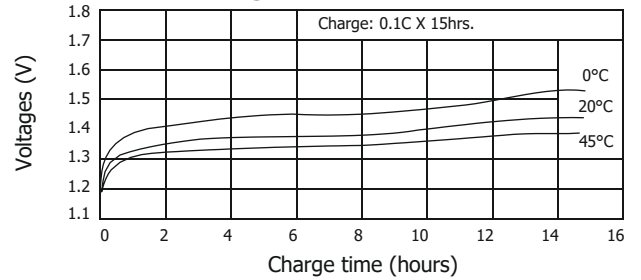
### Dimensions (with tube): in (mm)



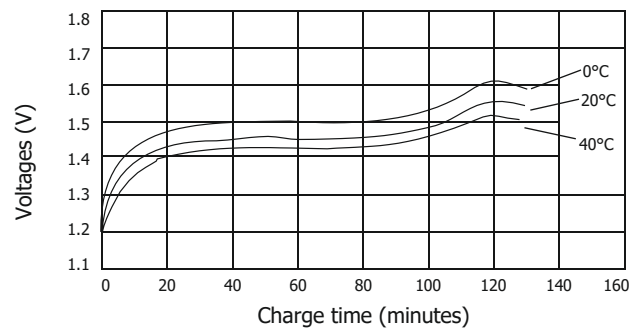
### Note :

1. Recharge battery at least once in 1month.
2. When connecting a battery pack to a charger, ensure correct polarity.
3. Store batteries in a cool dry place.
4. Do not dispose battery in trash, recycle them.

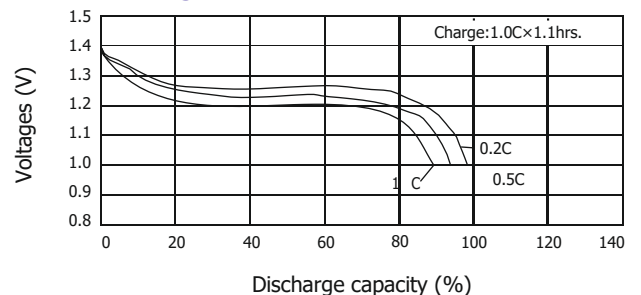
### Standard charge characteristics



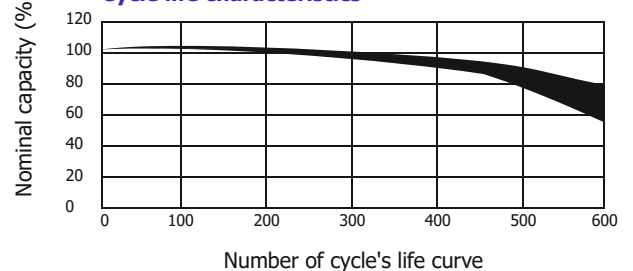
### Rapid charge characteristics



### Discharge characteristics



### Cycle life characteristics



### Self Discharge Characteristics

