



+(91) 80004 20003

+(91) 97424 44338



Swastik Engineering

We are an eminent manufacturer of quality Stainless steel impellers, Turning, Key Way & Balancing and Much more. In this field of precision, We have established the strong image in market for Our Work.

About Us

Swastik engineering acknowledged a Renowned engaged in offering a qualitative range of Submersible Impellers, Auto parts. We are manufacturing and supplying a quality range of Submersible Pump Impellers, Auto parts And other services as per your need. These products are manufactured using high-grade materials. Moreover, cutting-edge technology and sophisticated machinery are employed for designing and manufacturing these products in compliance with the Globle quality standards. We make sure to offer these products in varied dimensions, grades, finishes and other specifications to meet the needs of different types of engineering discipline in an efficient manner.

Outsourcing Activities: Expert in sourcing, product development and Purchasing for Sand Casting, Investment Casting and Forging Components in National and International Material Grade. We provide complete solution, ready to use material to our customers.



Company Profile

Buisness Type	Manufacturer
Year of establishment	2010
Location	Plot No. 51, Paiki 2, Shead 1, Opp. Raiyani Engg, Gondal Road, Rajkot
Legal Status	Proprietorship
Key Person	Nirav Patel
Present Business scope	Manufacturing of S.S. Impellers, Turning, Key Way & Balancing, Auto parts ..etc
Specialization	Precision Turned & Machine Components Exclusively In impellers, Auto parts
Key Operating Machines	Globle CNC automatic, Balancing Machine, lathe machines. Broaching Machine
Primary Competitive Advantage	Primium Quality Competitive Priciiing Customized Solution On time delivery Sound Infrastructure facility
Workspace	2000 sq. ft.
Contact Numbers	+(91) 80004 20003

Our Machinery



Globe CNC Automatic
Machine



Balancing Machine



Broaching Machine

Contact Us

Swastik Engineering

Contact Person : Nirav Patel



Near Raj Fiber Opp Jivraj Estate, Servey No 31 Shed No 3, Nijanand
Pipe Road, Gondal Road, Vavdi, Rajkot, Gujarat, 360004



+(91) 80004 20003



swastikengineering003@gmail.com



SWASTIK Stainless Steel 5-ways BSP fitting with inner non-return valve.

3 sizes available.

SWASTIK 1"

SWASTIK 1 1/2"

SWASTIK Stainless Steel 5-ways BSP fitting with inner non-return valve. Ideal for systems with pressure vessels: 2 in lets for the pressure gauge and transducer

3 sizes available.

Dimensions:

ES1A-SWMTKP1-A1N

SWASTIK 1"

G1" (M) x G1" (F) x G 1/4" (F) x G 1/4" (F)

ES1A-SWMTKP2-A1N

SWASTIK 1 1/2"

G1 1/2" (M) x G1 1/2" (F) x G 1 1/2" (F) x G 1 1/2"(F)



SWASTIK Stainless Steel 5-ways BSP fitting with inner non-return valve.

3 sizes available.

SWASTIK 1"

SWASTIK 1 1/2"

SWASTIK Stainless Steel 5-ways BSP fitting with inner non-return valve. Ideal for systems with pressure vessels: 2 in lets for the pressure gauge and transducer

3 sizes available.

Dimensions:

ES1A-SWMTKP1-A1N

SWASTIK 1"

G1" (M) x G1" (F) x G 1/4" (F) x G 1/4" (F)

ES1A-SWMTKP2-A1N

SWASTIK 1 1/2"

G1 1/2" (M) x G1 1/2" (F) x G 1 1/2" (F) x G 1 1/2"(F)



SWASTIK Stainless Steel Five-ways BSP fitting with inner non-return valve.

3 sizes available.

SWASTIK 1"

SWASTIK 1 1/2"

SWASTIK Stainless Steel Five ways BSP fitting with inner non-return valve. Ideal for systems with pressure vessels: 2 in lets for the pressure gauge and transducer

3 sizes available.

Dimensions:

ES1A-SWMTKP1-A1N

SWASTIK 1"

G1" (M) x G1" (F) x G 1/4" (F) x G 1/4" (F)

ES1A-SWMTKP2-A1N

SWASTIK 1 1/2"

G1 1/2" (M) x G1 1/2" (F) x G 1 1/2" (F) x G 1 1/2"(F)

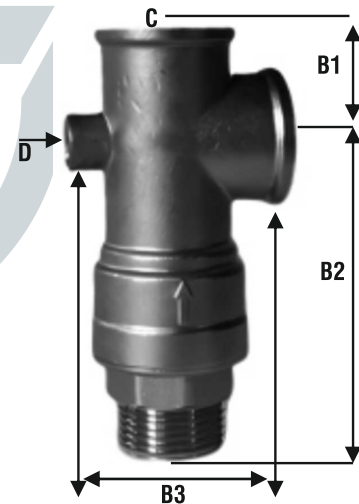
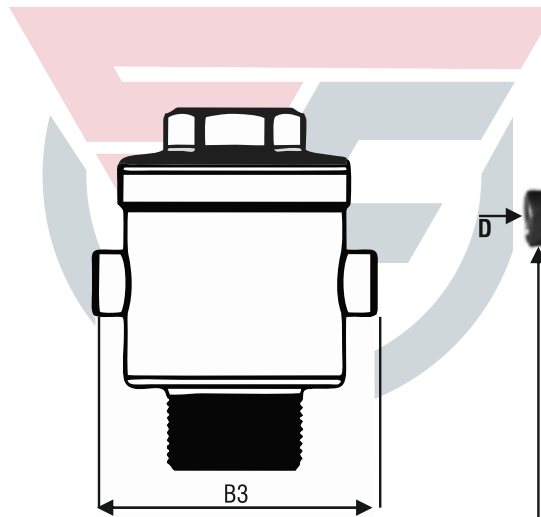
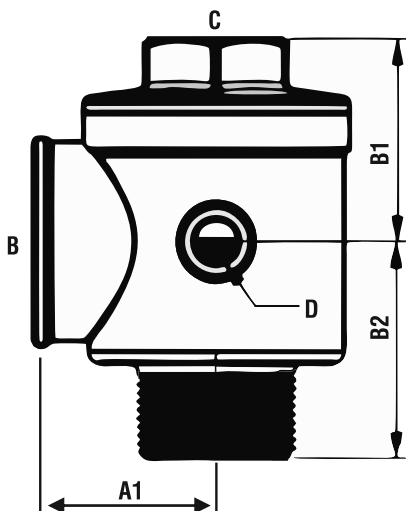
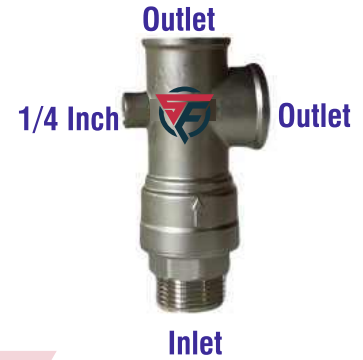
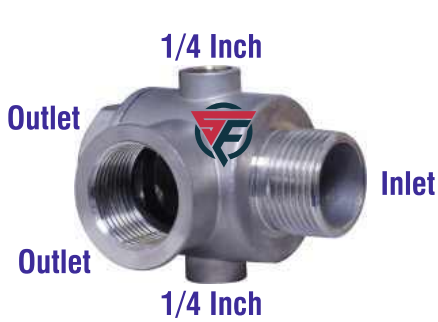


swastik
ENGINEERING
 ALL TYPE OF PRECISION METAL COMPONENTS

📍 Near Raj Fiber Opp Jivraj Estate, Servey No 31 Shed No 3, Nijanand Pipe Road, Gondal Road, Vavdi, Rajkot, Gujarat, 360004

☎ +91 80004 20003

✉ swastikengineering003@gmail.com



Model	A Water Inlet	B Water Outlet	C Pressure Tank Connection	D Pressure Gauge Connection	B1	B2	A1	B3	Weight	Total Lanth
Model	Inch	Inch	Inch	Inch	mm	mm	mm	mm	Kg.	mm
1" New	1"	1"	1"	1/4 BSP	30	90	32	61	0.420	124
1" Old	1"	1"	1"	1/4 BSP	38	46	44	66	0.580	87.500
1.25 Old	1.25	1.25	1"	1/4 BSP	38	46	44	66	0.700	88
1.50 Old	1.50	1.50	1"	1/4 BSP	50	58	58	81	1.160	110



Valvu Chq Pressure Report

Model	Tank Volume	Maxi Working Pressure	Diameter	Height	Connector
Model	Liter	Bar	Mm	Mm	Inch
1" - 5L.	5	10	160	300	1"
1" - 8L.	8	10	200	340	1"
1" - 12L.	12	10	270	350	1"
1" - 19L.	19	10	270	410	1"
1" - 24L.	24	10	270	460	1"
1"- 36L.	36	10	350	560	1"
1"- 50L.	50	10	350	830	1"
1"- 60L.	60	10	450	750	1"
1"- 80L.	80	10	450	890	1"
1.25"- 100L.	100	10	450	940	1.25"
1.25"- 150L.	150	10	450	1100	1.25"
1.5"- 180L.	180	10	560	1000	1.5"
1.5"- 200L.	200	10	650	970	1.5"
1.5"- 300L.	300	10	720	1260	1.5"- 300L.
1.5"- 500L.	500	10	750	1500	1.5"- 500L.
1.5"- 750L.	750	10	750	1800	1.5"- 750L.
1.5"- 1000L.	1000	10	1000	1800	1.5"- 1000L.
1.5"- 1500L.	1500	10	1100	2000	1.5"- 1500L.

