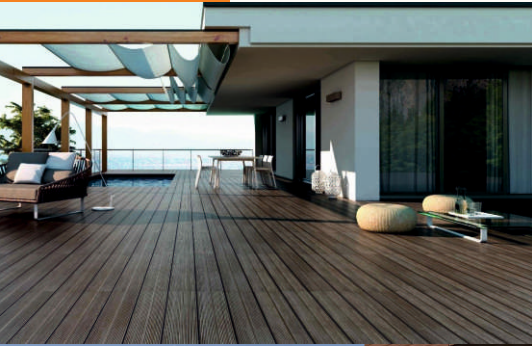


#MADE IN BHARAT



**AEROPLAST**<sup>TM</sup>

INNOVATIVE SOLUTIONS FOR SUSTAINABLE FUTURE

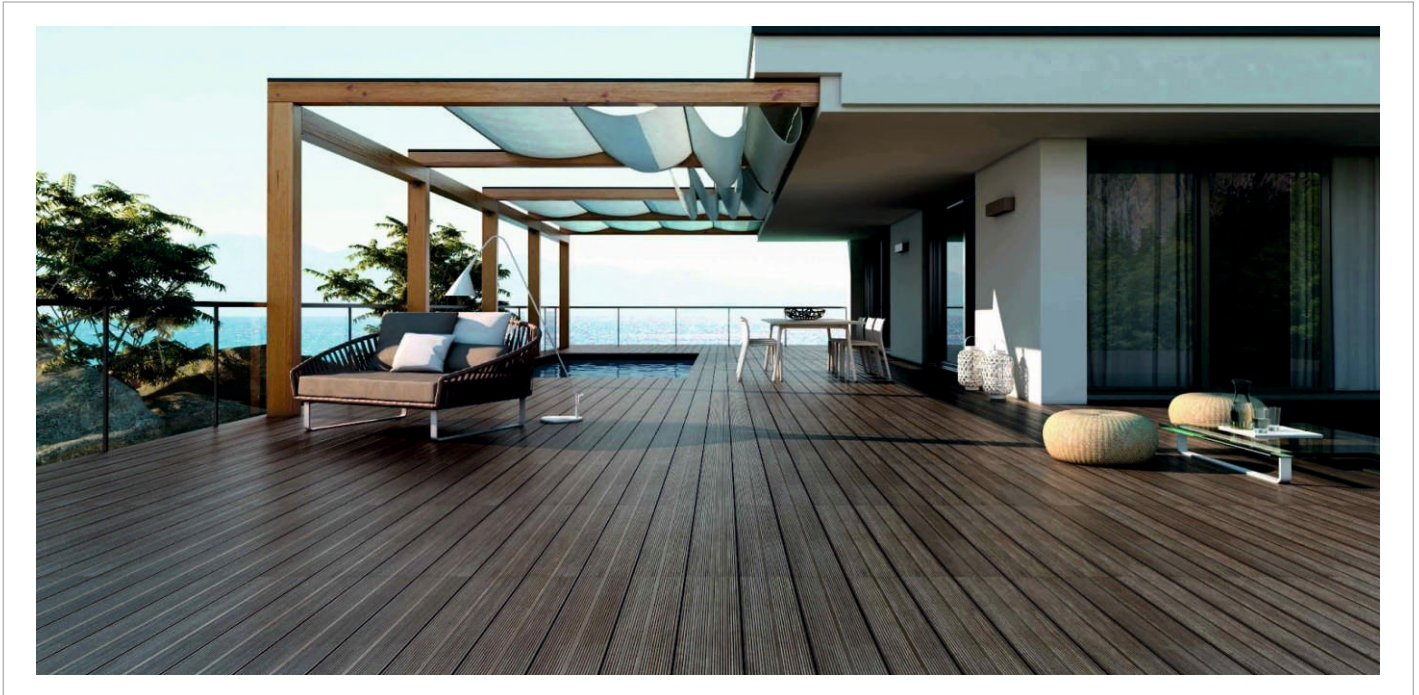


*Architectural*  
**INTERIOR  
& EXTERIOR  
WPC APPLICATIONS**



Use WPC  
Think Green & Live Green

**WPC** range of application based low maintenance decking is suitable for every need. Elegant colours, combined with different surface finishes, results in an unmatched choice for different conditions which look great and will stay that way. High performance, low on maintenance, Elevar WPC reversible deck planks are fitted to an aluminium framework with concealed fixtures, offering barefoot safe anti-skid surfaces.



**Profile Code** : AW-1001  
**Dimensions** : 150mm x 23mm  
**Standard Length** : 9.5ft

**Profile Code** : AW - 1002  
**Dimensions** : 150mm x 23mm  
**Standard Length** : 9.5ft



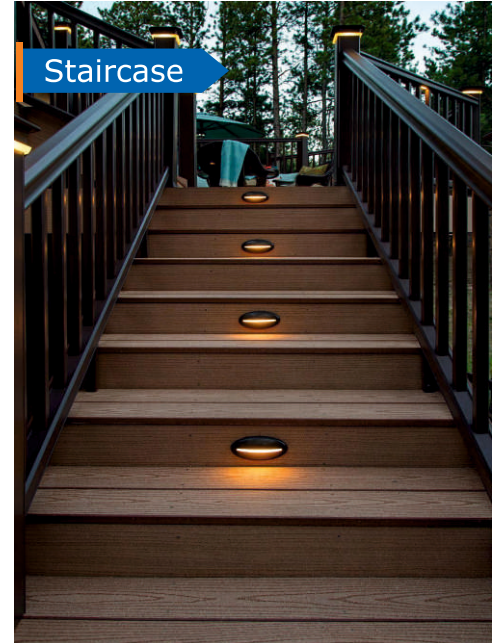
Floor Decking



Bridge Decking



Staircase

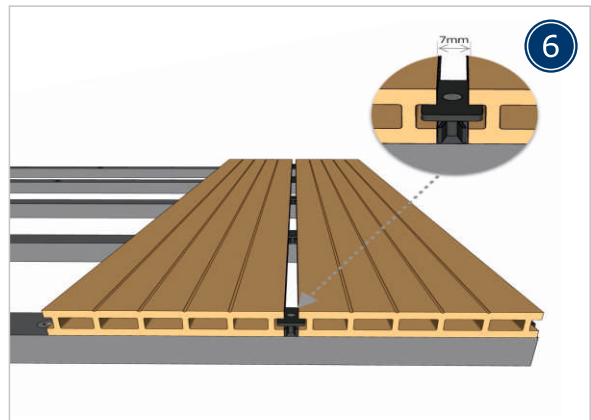
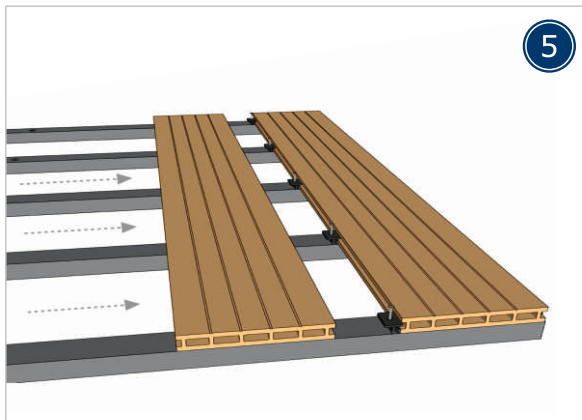
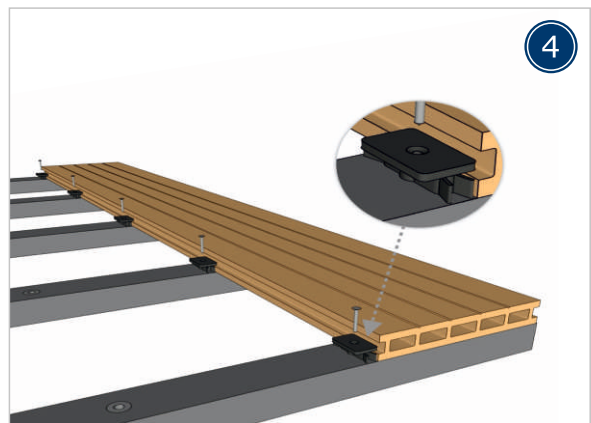
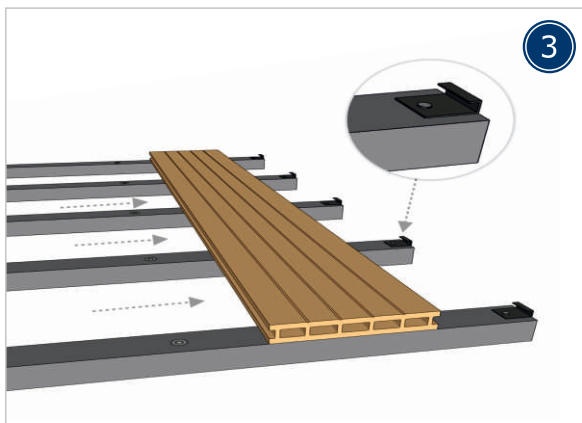
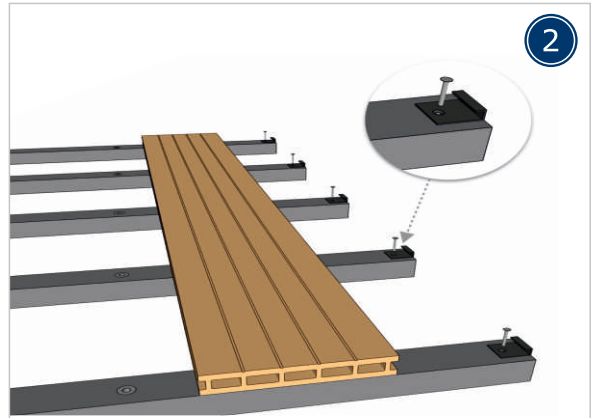
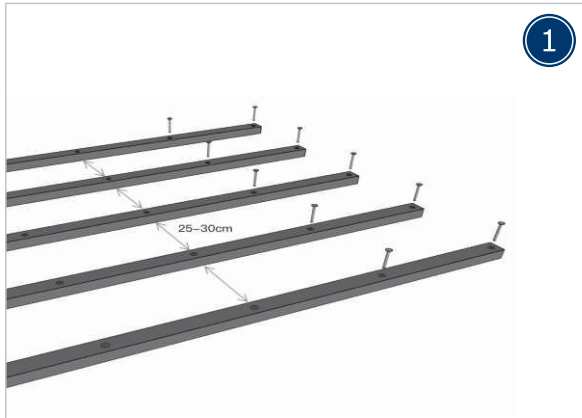


Planter Box



Bench

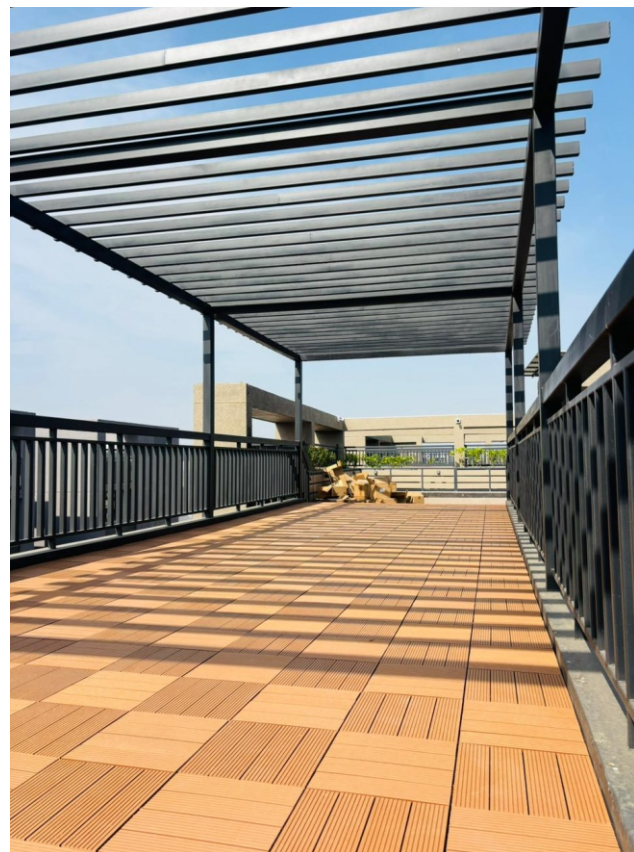




# WPC DECK TILES

Deck Tiles is the quick and simple solution if you want to transform your balconies or rooftops. AERO WPC provides a range of WPC Deck Tiles with a series of color and wood grain for selection. The installation is very easy as far as the flat surface are concerned, simple steps can complete the outdoor floor laying and no need to use other tools.

Elevar WPC Deck Tiles have a non-slip deck surface that can be used as a non-slip floor next to the swimming pool. High strength plastic interlock frame at the bottom facilitates air circulation and water discharged from the bottom.





**Profile Code** : AW - 2001  
**Dimensions** : 1FT x 1FT  
**Standard Length** : 9.5ft

**Profile Code** : AW - 2002  
**Dimensions** : 1FT x 1FT  
**Standard Length** : 9.5ft



WATER PROOF



TERMITE PROOF



FIRE RESISTANCE



HIGH SCREW HOLDING  
CAPACITY



RECYCABLE



MOISTURE PROOF



ECO FRIENDLY



EASY TO INSTALL



  
**AEROPLAST**<sup>TM</sup>  
INNOVATIVE SOLUTIONS FOR SUSTAINABLE FUTURE

# WPC DECK TILES INSTALLATION

1 The Deck Tile is relatively easy to install using its four side interlocking base making it very user friendly. Each side has two male and female connectors that connect to an adjacent tile, these connectors are circled in Diagram 1.

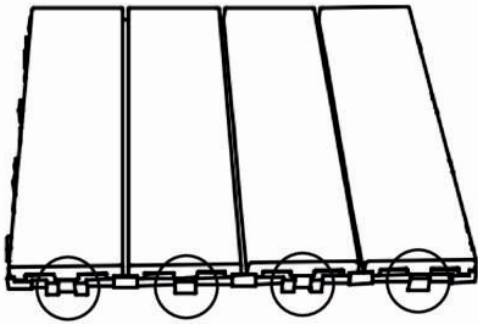


Diagram : 1

2 Place the first tile in a corner of flush along the edge of the area you will be installing as shown in Diagram 2.

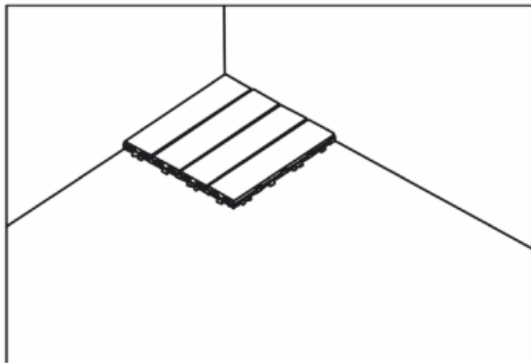


Diagram : 2

Next take another tile and determine which type of pattern/style you like to do. Vertical is shown in Diagram 3 and horizontal is shown in Diagram 4.



Diagram : 3

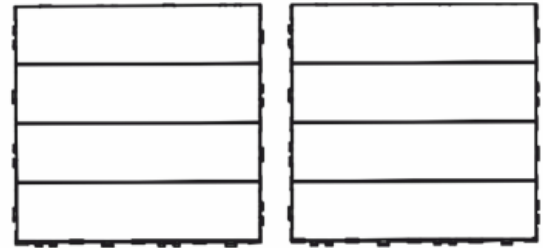


Diagram : 4

3 Now, take the second tile and align the connectors up with the first tile as shown in Diagram 5.

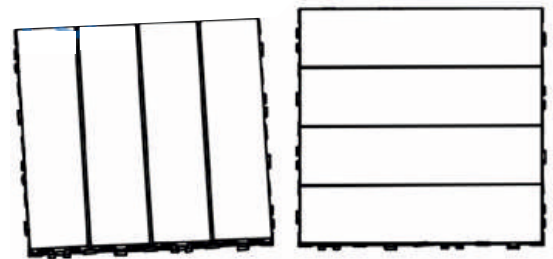


Diagram : 5

4 Then, attach the first two connectors into each other as shown in Diagram 6, You might need to lift up one of the tiles to get a better grip.

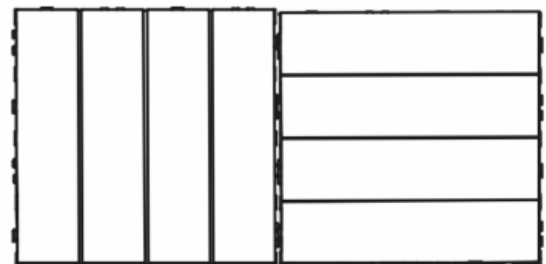
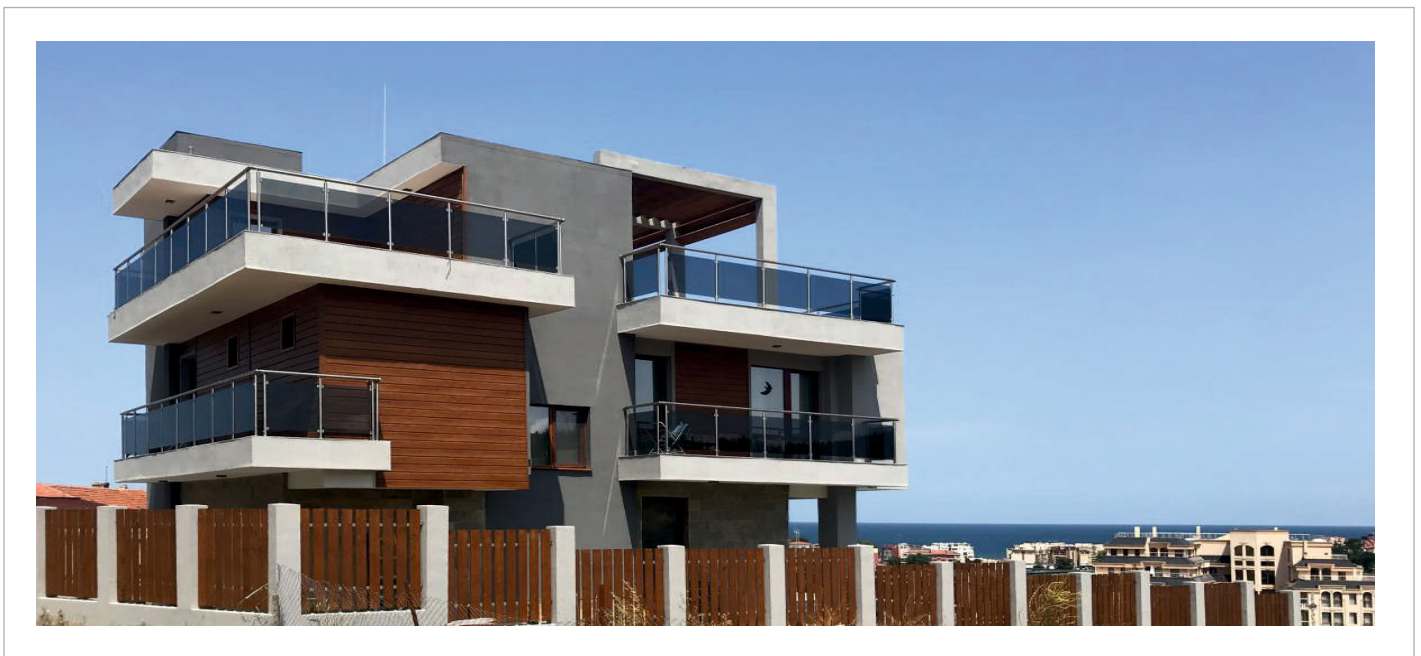
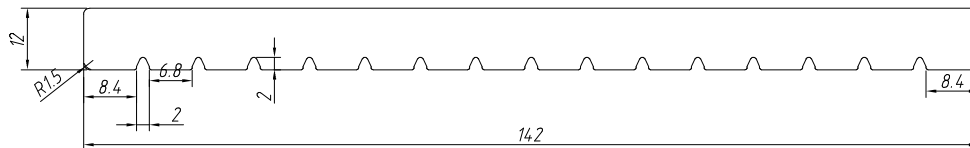
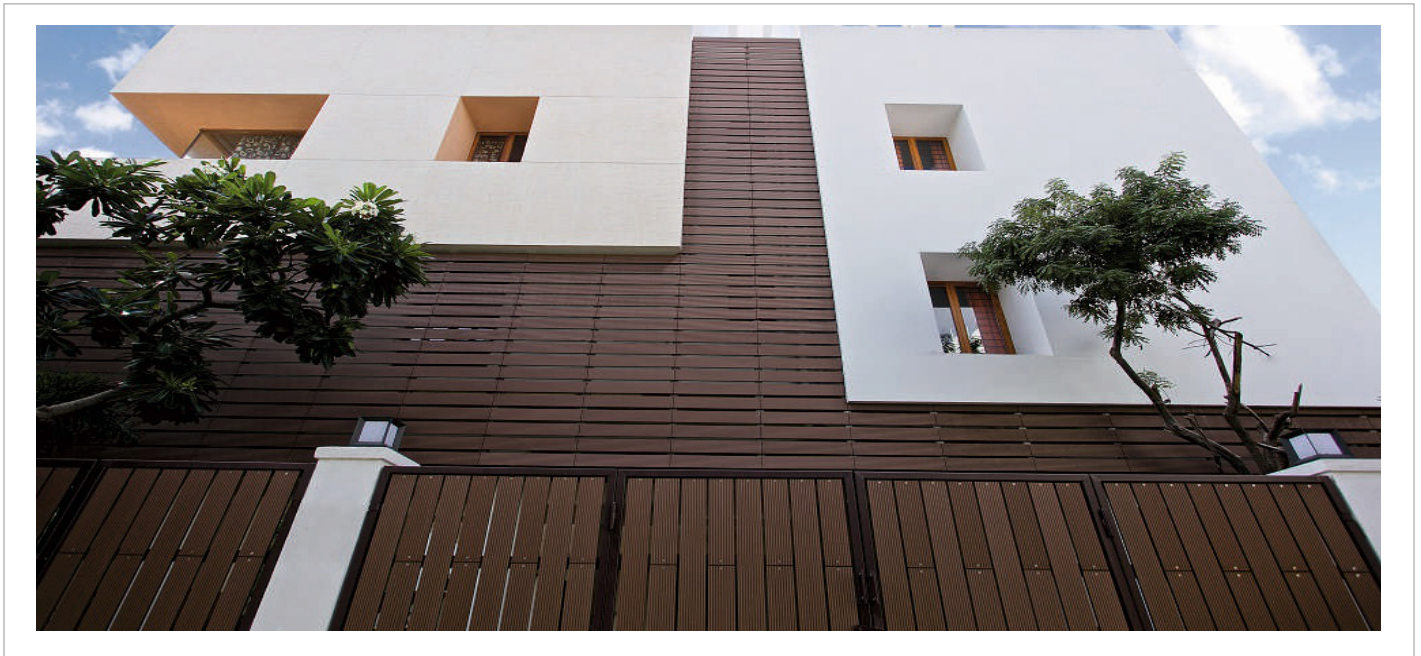
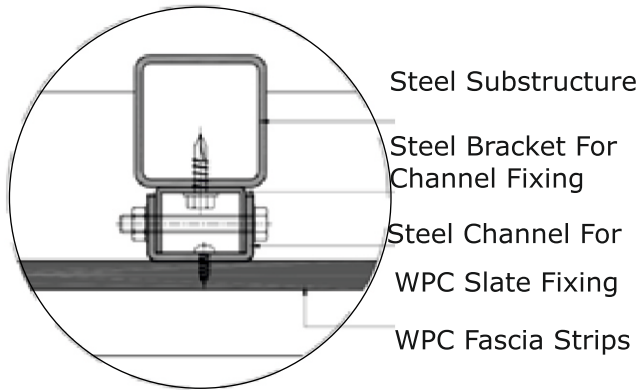


Diagram : 6

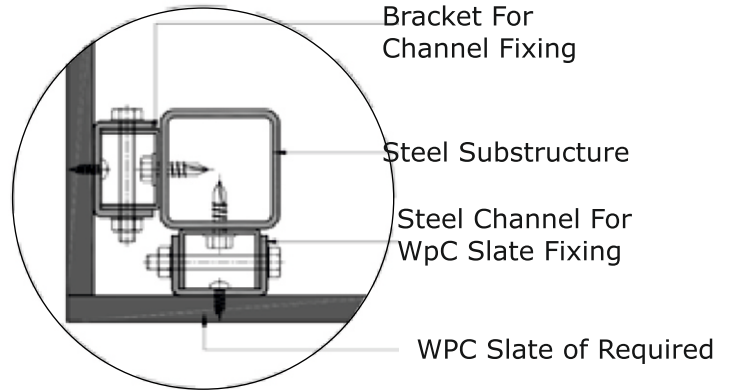
**WPC PLANKS** display exceptional premium aesthetics for multiple exterior applications. Combining wood and thermoplastics (HDPE), Elevar WPC Planks are the most suitable product for exteriors delivering high durability and product lifetime without any maintenance when compared to conventional materials like cement fiber boards and aluminum. Elevar Planks are the perfect fit for louvers, railings and multiple other architectural exterior use.



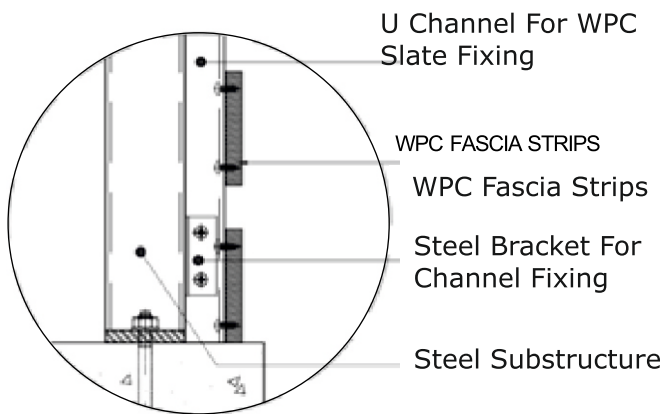
# WPC PLANK INSTALLATION



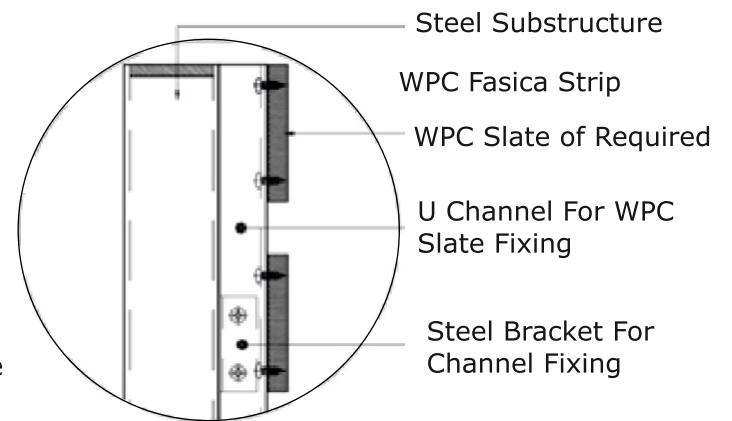
**Horizontal Fixing Detail**



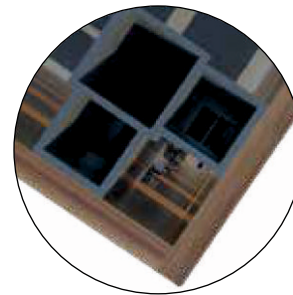
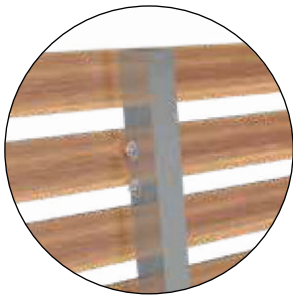
**Horizontal Corner Detail**



**Bottom Fixing Detail**



**Top Fixing Detail**



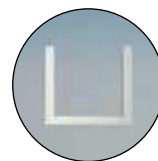
## HARDWARE & ACCESSORIES



Substructure Box



Bolt Nut



U Channel/bracket



Hex Screw #8x19

Balcony Casing



Gate



Plumbing Duct Covering



Partation



Boundary Fencing



Balcony Railing





**Profile Code** : AW - 3001  
**Dimensions** : 145mm x 11mm  
**Standard Length** : 9.5ft

**Profile Code** : AW - 3002  
**Dimensions** : 145mm x 11mm  
**Standard Length** : 9.5ft



WATER PROOF



TERMITE PROOF



FIRE RESISTANCE



HIGH SCREW HOLDING  
CAPACITY



RECYCABLE



MOISTURE PROOF



ECO FRIENDLY



EASY TO INSTALL



INNOVATIVE SOLUTIONS FOR SUSTAINABLE FUTURE



**AEROPLAST**<sup>TM</sup>

INNOVATIVE SOLUTIONS FOR SUSTAINABLE FUTURE

**AEROPLAST PROFILE**

[aeroplastpvc@gmail.com](mailto:aeroplastpvc@gmail.com)

[www.aeroplastpvc.com](http://www.aeroplastpvc.com)

