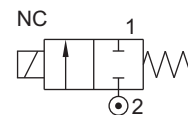


2/2 DIRECT ACTING HIGH PRESSURE SOLENOID VALVE

TYPE	PRESSURE

TYPE	PRESSURE

TYPE	PRESSURE
20116V01	0 - 400 bar



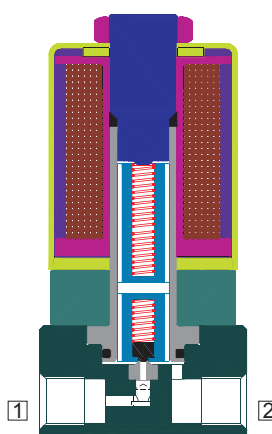
FEATURES

- Bubble tight shut off
- Mounts in any position
- Vibration resistance up to 9g
- Suitable for high speed cycling
- Speed up to 300 cycles/ min
- Life >2 million cycles



WETTED PARTS

Code		B5
Body		SS 316
Internals		SS 316
Guide Assembly	SS 304	
Shadow-Ring	None	
Plunger, Insert	SS 430	
Spring	SS 302	
Seat, Seals	PTFE, Viton	
Fasteners	SS 304	



AMBIENT AND FLUID TEMPERATURE

-20 °C to 80 °C

SPECIAL VERSION AND SUFFIX

Suffix : (Valve) AM
Special version : (Solenoid) CO, FR, SS, LC, TM

MEDIA

Air, Inert Gases, Water, Vacuum, Free Flowing Liquids, Oil, Diesel, Kerosene, LPG, CNG

APPLICATION

Fuel Gas Cutoff

PORT CONNECTION

FUNCTION	INLET	OUTLET
NC	2	1

Contact Rotex for

- Any other ambient, fluid temperature, media and application

SPARES

(Refer page 25 for ordering code)

SPARE KIT	CODE
Seal Kit : Oring Set, Plunger Assembly	98
Repair Kit : Oring Set, Plunger Assembly, Springs, Guide Assembly	99
Solenoid Kit : Solenoid, Gasket , Nut	34

APPROVAL

(* applied for)

Approval	TYPE 4X, 6P	IP67	Ex d IIC T4 or T5 or T6 IP66	Ex ia IIC T6 IP67	DGMS	CCOE
		✓	✓	✓	✓	✓
CE		✓	✓	✓		
UL	✓		*			
			✓	✓		
ERC			✓	✓		
			✓	✓		



OIL Media Temperature Restricted from 0 °C to 100 °C



2/2 DIRECT ACTING HIGH PRESSURE SOLENOID VALVE

SPECIFICATION

SIZE	PORT CONNECTION	PRE-SSURE bar	MINIMUM	MAXIMUM	ORIFICE (mm)	FLOW FACTOR KV (LPM OF WATER @ 1 bar ΔP)	VALVE TYPE	PILOT PRESSURE	BODY MATERIAL AND INTERNALS					SEALS					MANUAL OVERRIDE		SOLENOID ENCLOSURE		SUFFIX		POWER VA		CONSTRUCTION REFERENCE NUMBER
									ALUMINIUM	ALUMINIUM + SS	BRASS (STD. PORT NPT)	SS 316 (STD. PORT NPT)	NBR	Viton	EPDM	HYTREL	PTFE	NIL	STAYPUT CUM MOMENTARY	MOMENTARY	FLYING LEAD	PLUG IN, IP67	SQ. PLUG IN, IP67	TERMINAL BOX IP67	EXPLOSION PROOF IIC, IP67	LARGE ENCLOSURE	

2/2 NORMALLY CLOSED

1/4"	2R	0	300	1.6	0.6	20116V01			B5				S4	*			25	T	E	18	✓	20	20	20	91
		0	400	1.2	0.5	20116V01			B5				S4	*			25	T	E	18	✓	20	20	20	91
1/2"	4R	0	300	1.6	0.6	20116V01			B5				S4	*			25	T	E	18	✓	20	20	20	92
		0	400	1.2	0.5	20116V01			B5				S4	*			25	T	E	18	✓	20	20	20	92

6

SOLENOID 18

Cable Entry	T	Øc/ā	E	Øc/ā
M20 x 1.5	FJ	FITU	H	ITU
M25 x 1.5	F	ii	ii	iiSV
1/2" NPT	F	FIPU	H	IPU

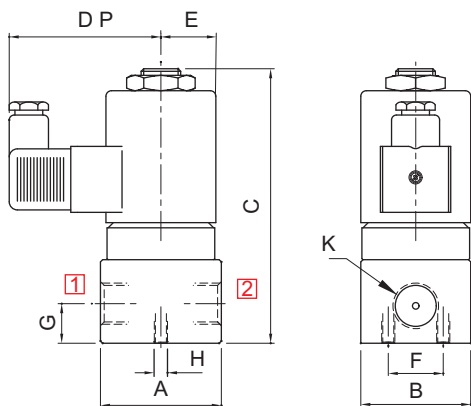
* = Do not specify when opted for. Refer Page # 22 for Value of *
✓ = Options available

ORDERING CODE AND EXAMPLE VALVE + SOLENOID

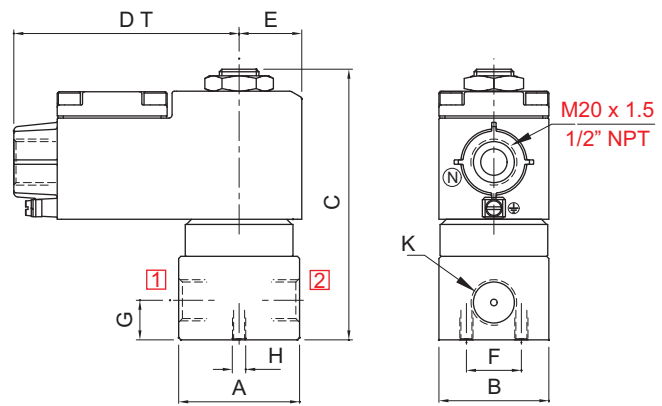
VALVE TYPE - SUFFIX - ORIFICE - PORT CONNECTION - BODY AND INTERNALS - SEAL - MEDIA +
SIZE - VOLTAGE - CURRENT - SOLENOID ENCLOSURE - SPECIAL VERSION - POWER - INSULATION - APPROVAL
e.g. 20116V01-1.2-2R-B5-S4+II-230V-AC/DC-25-RC-LW20; 20116V01-1.6-2R-B5-S4+II-24V-DC-16-LW20-H

DIMENSIONS

All Dimensions are in mm

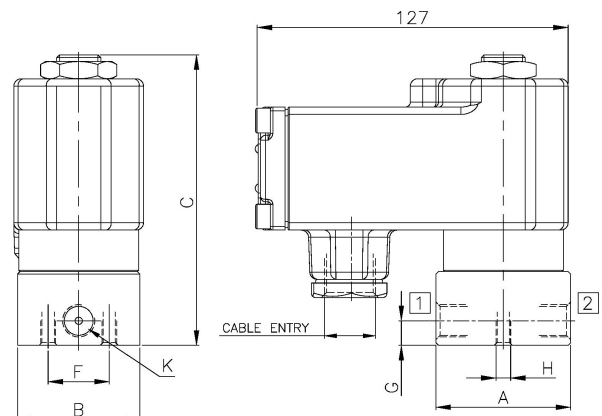


PLUG IN SOLENOID TYPE 22/ 25



TERMINAL BOX/ Ex d/ TYPE 16, 19, 37, 39, 58, 58LT

K (PORT SIZE)	A	B	C	DP	DT	E	F	G	H	CONST. REF.
VALVE TYPE : 20116V01										
1/4"	55	50	115	66	104	28	25	10	M6	91
1/2"	55	50	123	66	104	28	25	14	M6	92



PLUG IN SOLENOID TYPE 87