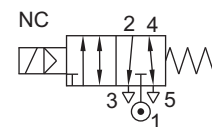


3/2 DIRECT ACTING NAMUR SOLENOID VALVE

TYPE	PRESSURE

TYPE	PRESSURE

TYPE	PRESSURE
30106	0 - 15 bar

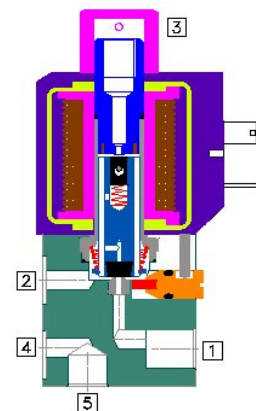


FEATURES

- Ideally suited for spring return actuator
- Low cost economical model
- High pressure up to 150 bar available
- Dust caps provided on the exhaust ports

WETTED PARTS

Code	※	B5
Body	Anodized Aluminium	SS 316
Internals	Aluminium, SS 316	SS 316
Guide Assembly	SS 304	
Shadow-Ring	Copper/ Silver/ None	
Plunger, Insert	SS 430	
Spring	SS 302	
Fasteners	SS 304	
Seat, Seals	NBR, Viton, F. Silicon	



AMBIENT AND FLUID TEMPERATURE

-30 °C to 75 °C

SPECIAL VERSION AND SUFFIX

Suffix : (Valve) AM
Special version : (Solenoid) CO, FR, SS, LC, III

MEDIA

Air, Inert Gases

APPLICATION

Operation of single acting actuator

PORT CONNECTION

INLET	OUTLET	OUTLET	EXHAUST	EXHAUST
1	2	4	3	5

Contact Rotex for

- Any other ambient, fluid temperature, media and application
- UL listed, Listed general purpose Valve
- Media like Water, Light Oil etc.

SPARES

(Refer page 25 for ordering code)

SPARE KIT	CODE
Seal Kit : Oring Set and Plunger Assembly	98
Repair Kit : Oring Set, Plunger Assembly, Fastener, Springs, Manual Override, Guide Assembly, Piston Kit	99
Solenoid Kit : Solenoid, Gasket and Nut	34

APPROVAL

(* applied for)

Approval	TYPE 4X, 6P	IP67	Ex d IIC T4 or T5 or T6 IP66	Ex ia IIC T6 IP67	DGMS	CCOE
		✓	✓	✓	✓	✓
CE		✓	✓	✓		
UL	✓		*			
			✓	✓		
EAC			✓	✓		
			✓	✓		



3/2 DIRECT ACTING NAMUR SOLENOID VALVE

SPECIFICATION

PORT CONNECTION		PRE-SSURE bar	ORIFICE (mm)	FLOW FACTOR kv (LPM OF WATER @ 1 bar ΔP)	VALVE TYPE	PILOT PRESSURE	BODY MATERIAL AND INTERNALS		SEALS		MANUAL OVERRIDE		SOLENOID ENCLOSURE		OUTLET PORTS	POWER VA		CONSTRUCTION REFERENCE NUMBER
SIZE	BSP(F) NPT(F)	MINIMUM MAXIMUM					ALUMINIUM ALUMINIUM + SS BRASS (STD. PORT NPT) SS 316 (STD. PORT NPT)	NBR Viton	F. Silicon	NIL STAYPUT CUM MOMENTARY MOMENTARY	FLYING LEAD PLUG IN, IP67 SQ. PLUG IN, IP67	WEATHER PROOF	EXPLOSION PROOF	NAMUR		AC INRUSH AC HOLDING DC		

3/2 ON/ OFF APPLICATION

SIZE	PORT CONNECTION	ORIFICE (mm)	FLOW FACTOR kv	VALVE TYPE	PILOT PRESSURE	ALUMINIUM	ALUMINIUM + SS	BRASS	SS 316	NBR	Viton	F. Silicon	NIL	STAYPUT CUM MOMENTARY	MOMENTARY	FLYING LEAD	PLUG IN, IP67	SQ. PLUG IN, IP67	WEATHER PROOF	EXPLOSION PROOF	NAMUR	AC INRUSH	AC HOLDING	DC	CONSTRUCTION REFERENCE NUMBER
1/4"	2G 2R	0 15	1.6 1.5	30106	*	B5	*	S2	S19	M0	*	M8	22	25	T	E	III	14	1 or 2	18	12	8	N3		
		0 10	1.8 1.8	30106	*	B5	*	S2	S19	M0	*	M8	22	25	T	E	III	14	1 or 2	18	12	8	N3		
		0 8	2.2 2.2	30106	*	B5	*	S2	S19	M0	*	M8	22	25	T	E	III	14	1 or 2	18	12	8	N3		
		0 6	2.5 3.0	30106	*	B5	*	S2	S19	M0	*	M8	22	25	T	E	III	14	1 or 2	18	12	8	N3		

Cable Entry	T	Øc	Øe	Øa	Øb
M20 x 1.5	FJ	HU	ii	ii	ii
M25 x 1.5			ii	ii	ii
1/2" NPT	Fi	Hi	ii	ii	ii

* = Do not specify when opted for. Refer Page # 22 for Value of *

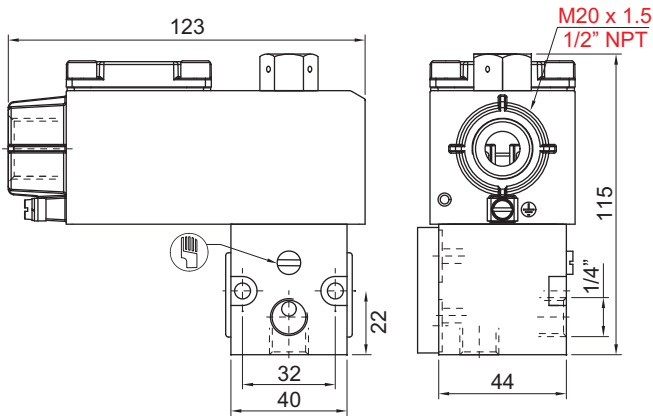
ORDERING CODE, EXAMPLE VALVE + SOLENOID

TYPE - SUFFIX - ORIFICE - PORT CONNECTION - BODY AND INTERNALS - MANUAL OVERRIDE - SEAL - MEDIA + SIZE - VOLTAGE - CURRENT - SOLENOID ENCLOSURE - SPECIAL VERSION - POWER - INSULATION - APPROVAL
 e.g. 30106-2.2-2G+I-24V-DC-19-H

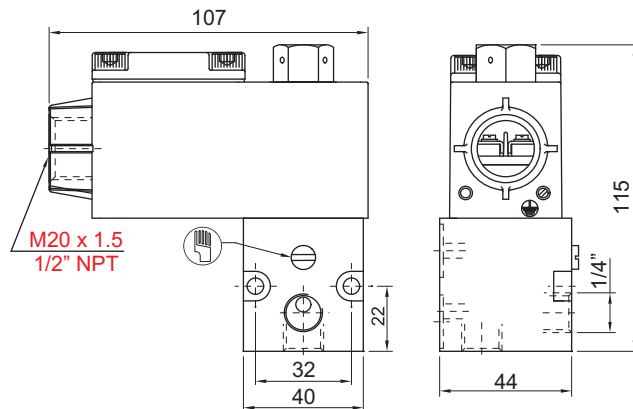
DIMENSIONS

All Dimensions are in mm

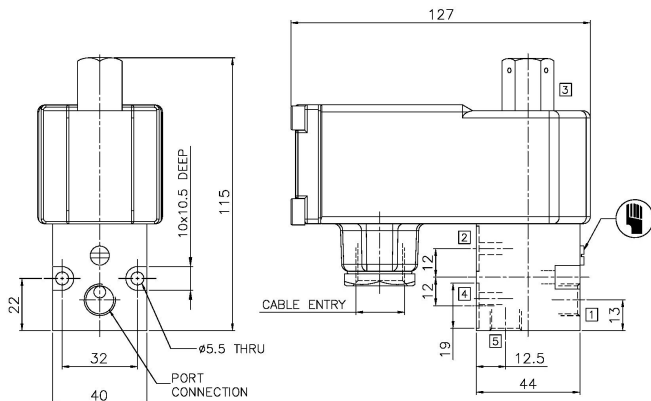
CONSTRUCTION REFERENCE N3



TERMINAL BOX/ Ex d LARGE ENCLOSURE TYPE 16, 19, 37, 39, 58, 58LT

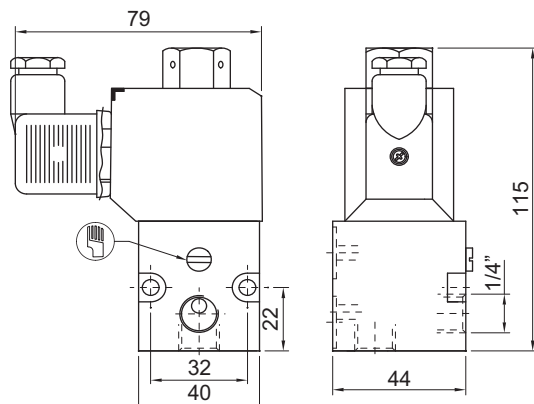


TERMINAL BOX/ Ex d TYPE 16, 19, 37, 39, 58, 58LT



310

BCE SOLENOID TYPE 87



PLUG IN SOLENOID TYPE 22/ 25

Specifications are subject to change without notice

