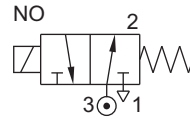


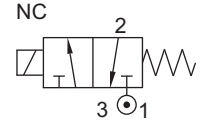
3/2 DIRECT ACTING, NC/ NO HIGH PRESSURE (150 bar) SOLENOID VALVE

TYPE	PRESSURE

TYPE	PRESSURE
30252	0 - 150 bar

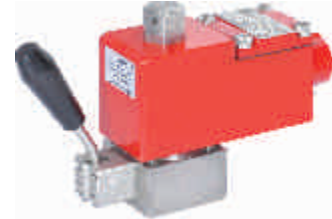


TYPE	PRESSURE
30152V01	0 - 150 bar
30152V02	40 - 150 bar



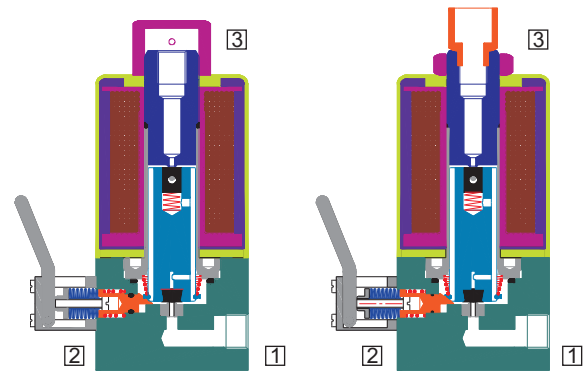
FEATURES

- Bubble tight shut off
- Mounts in any position
- Suitable for Vacuum up to 10^{-6} torr
- Vibration resistance up to 9g
- Suitable for high speed cycling
- Speed up to 300 cycles/ min
- Life >10 million cycles
- Manual override optionally provided



WETTED PARTS

Code	※		B5
Body	Anodized Aluminium		SS 316
Internals	Aluminium		SS 316
Guide Assembly	SS 304		
Shadow-Ring	None		
Plunger, Insert	SS 430		
Spring	SS 302		
Seat, Seals	PTFE + Viton		
Fastener	SS 304		



AMBIENT TEMPERATURE

-30 °C to 75 °C

SPECIAL VERSION AND SUFFIX

Suffix : (Valve) AM
Special version : (Solenoid) CO, FR, SS, LC

MEDIA

Air, Inert Gases

APPLICATION

High Pressure Application

PORT CONNECTION

FUNCTION	INLET	OUTLET	EXHAUST
NC	1	2	3
NO	3	2	1

Contact Rotex for

- Any other ambient, fluid temperature, media and application
- Media like Water, Light Oil etc.



SPARES

(Refer page 25 for ordering code)

SPARE KIT	CODE
Seal Kit : Oring Set and Plunger Assembly	98
Repair Kit : Oring Set, Plunger Assembly, Springs, Manual Override, Guide Assembly	99
Solenoid Kit : Solenoid, Gasket and Nut	34

APPROVAL

(★ applied for)

Approval	TYPE 4X, 6P	IP67	Ex d IIC T4 or T5 or T6 IP66	Ex ia IIC T6 IP67	DGMS	CCOE
		✓	✓	✓	✓	✓
CE		✓	✓	✓		
UL	✓		*			
			✓	✓		
ERC			✓	✓		
			✓	✓		



7

3/2 DIRECT ACTING, NC/ NO HIGH PRESSURE (150 bar) SOLENOID VALVE

SPECIFICATION

PORT CONNECTION	PRE-SSURE bar	ORIFICE (mm)	FLOW FACTOR kv (LPM OF WATER @ 1 bar ΔP)	VALVE TYPE	PILOT PRESSURE	BODY MATERIAL AND INTERNALS						SEALS				MANUAL OVERRIDE		SOLENOID ENCLOSURE		SUFFIX		POWER VA		CONSTRUCTION REFERENCE NUMBER			
						ALUMINIUM+SS	ALUMINIUM	BRASS (STD. PORT NPT)	SS 316 (STD. PORT NPT)	NBR	Viton	EPDM	HYTREL	Viton GL T+PTFE	NIL	STAYPUT CLUM MOMENTARY	MOMENTARY	FLYING LEAD	PLUG IN, IP67	SQ. PLUG IN, IP67	TERMINAL BOX IP67	FPJIB Ex d IIC, T4 OR T6, IP67	LARGE ENCLOSURE		SOLENOID SIZE	OXYGEN	AMONIA
3/2 NORMALLY CLOSED																											
1/4"	2R	0	150	0.8	0.6	30152V01		*		B5				S21	*	M4		25	T	E	18		✓	11	11	11	363
1/4"	2R	40	150	0.8	0.6	30152V02		*		B5				S21	*	M4		25	T	E	18		✓	8	8	8	363
3/2 NORMALLY OPEN																											
1/4"	2G	2R	0	150	0.8	0.6	30252		*	B5				S21	*	M4		25	T	E	18		✓	13	13	13	363

SOLENOID 18			
Cable Entry	T	ÖcA	E
M20 x 1.5	FJ	fi T U H	ii T U
M25 x 1.5	Fi	ii	ii i Šv U
1/2" NPT	fi	fi p U H	ii p U

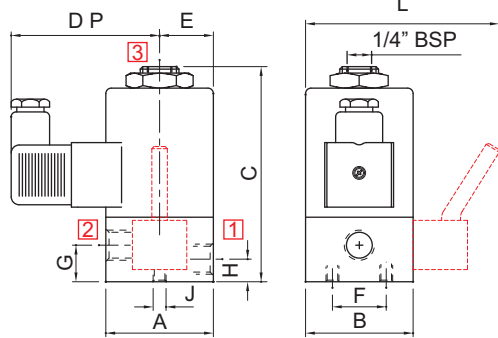
* = Do not specify when opted for. Refer Page # 22 for Value of *
 ✓ = Options available

ORDERING CODE AND EXAMPLE VALVE + SOLENOID

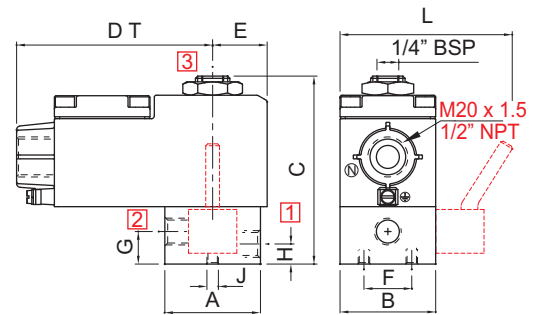
TYPE - SUFFIX - ORIFICE - PORT CONNECTION - BODY AND INTERNALS - MANUAL OVERRIDE - SEAL + SIZE - VOLTAGE - CURRENT - SOLENOID ENCLOSURE - SPECIAL VERSION - POWER - INSULATION - APPROVAL
 e.g. 30152V01-0.8-2R-B5-M4+II-230V-50Hz-25-RC-LW11-H

DIMENSIONS

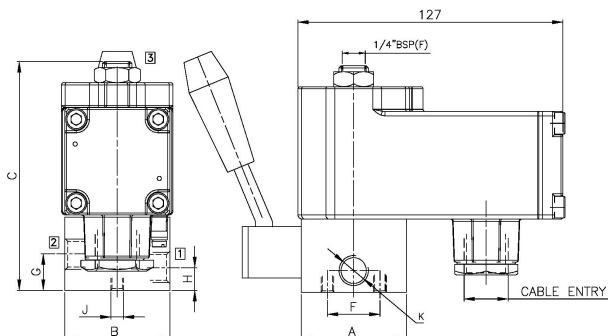
All Dimensions are in mm



MANUAL OVERRIDE OPTIONALLY PROVIDED
SQ. PLUG IN SOLENOID TYPE 25



MANUAL OVERRIDE OPTIONALLY PROVIDED
TERMINAL BOX/Ex d TYPE 16, 19, 37, 39, 58, 58LT, LC



BCE SOLENOID/ Ex d TYPE 87

K (PORT SIZE)	A	B	C	DP	DT	E	F	G	H	J	L	CONST. REF.
VALVE TYPE : 30152V01 (WITH MA)												
1/4"	50	50	106	68	103	25	25	17	11	M6	90	363
VALVE TYPE : 30152 V01												
1/4"	50	50	106	68	103	25	25	17	11	M6	Ø50	363

