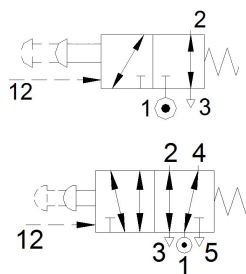


GAS OVER OIL CONTROL CABINET VALVE

GENERAL FEATURE

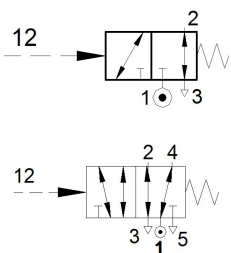
3/2 and 5/2 Valve
Body : Stainless Steel SS 316L/ Aluminium hard anodized*
Port Connection 1/4" NPT(F)
Orifice : 6.7 mm
Seal : Viton GLT/ NBR
Pilot, Main Media : Air, Water, Gas, Oil
 3/2 valve can be used as NC/ NO/ Universal
Pressure : 0 - 16 bar

Type : 7210M1



3/2, 5/2 Air Operated Spring Return with Manual Override
 Pilot Pressure : 3.5 - 16 bar
 Suitable for Panel mounting

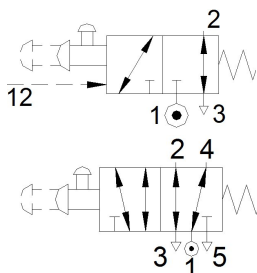
Type : 7210



3/2, 5/2 Air Operated Spring Return
 Pilot Pressure : 3.5 - 16 bar
 Suitable for Panel mounting

Type	Model	
	Size 1/4"	Size 1/2"
3/2	GDAF 7210	GDAF 7410
5/2	GVAF 7210	GVAF 7410

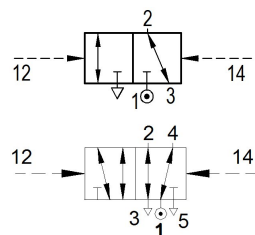
Type : 7210M2



3/2, 5/2 Air Operated Spring Return with Lockable Manual Override
 Pilot Pressure : 3.5 - 16 bar
 Suitable for Panel mounting

Type	Model	
	Size 1/2"	Size 1/2"
3/2	GDAF 7210M2	GDAF 7410M2
5/2	GVAF 7210M2	GVAF 7410M2

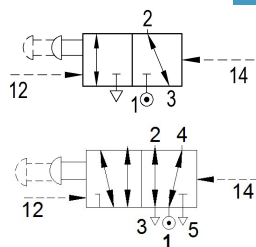
Type : 7211



3/2, 5/2 Air Operated Air Return Valve
 Pilot Pressure : 1.2 - 16 bar
 Suitable for Panel mounting

Type	Model	
	Size 1/4"	Size 1/2"
3/2	GDAF 7211	GDAF 7411
5/2	GVAF 7211	GVAF 7411

Type : 7211M1



3/2, 5/2 Air Operated Air Return Valve with Manual Override
 Pilot Pressure : 1.5 - 16 bar
 Suitable for Panel mounting

Type	Model	
	Size 1/4"	Size 1/2"
3/2	GDAF 7211M1	GDAF 7411M1
5/2	GVAF 7211M1	GVAF 7411M1



*Valve having Aluminium hard anodized body may have minor leakage across port
 Valve body material is normally from Stainless Steel

GAS OVER OIL CONTROL CABINET VALVE

Type : 7232



3/2, 5/2 Low Pilot Pressure Air Operated Spring Return Valve
Pilot Pressure : 1 - 16 bar
Suitable for Panel mounting

Type	Model	
	Size 1/4"	Size 1/2"
3/2	GDAF 7232	GDAF 7432
5/2	GVAF 7232	GVAF 7432

Type : 7232M1



3/2, 5/2 Low Pilot Pressure Air Operated Spring Return with Manual Override
Pilot Pressure : 1 - 16 bar
Suitable for Panel mounting

Type	Model	
	Size 1/4"	Size 1/4"
3/2	GDAF 7232M1	GDAF 7432M1
5/2	GVAF 7232M1	GVAF 7432M1

Type : 7232M2



3/2, 5/2 Low Pilot Pressure Air Operated Spring Return with Lockable Manual Override
Pilot Pressure : 1 - 16 bar
Suitable for Panel mounting

Type	Model	
	Size 1/4"	Size 1/2"
3/2	GDAF 7232M2	GDAF 7432M2
5/2	GVAF 7232M2	GVAF 7432M2

Type : 7204



3/2, 5/2 Hand Operated Hand Return Valve
Suitable for Panel mounting

Type	Model	
	Size 1/4"	Size 1/2"
3/2	GDAF 7204	GDAF 7404
5/2	GVAF 7204	GVAF 7404

Type : 7205



3/2, 5/2 Hand Operated Spring Return Valve
Suitable for Panel mounting

Type	Model	
	Size 1/4"	Size 1/2"
3/2	GDAF 7205	GDAF 7405
5/2	GVAF 7205	GVAF 7405

Type : 7205M1, 7205M2



3/2, 5/2 **Hand** Operated Spring Return Valve with Lockable Manual Override

Type	Model	
	Size 1/4"	Size 1/2"
3/2	GDAF 7205M2	GDAF 7405M2
5/2	GVAF 7205M2	GVAF 7405M2

* Valve with suffix M1 is without locking pin

*Valve having Aluminium hard anodized body may have minor leakage across port
Valve body material is normally from Stainless Steel

GAS OVER OIL CONTROL CABINET VALVE

GENERAL FEATURE

3/2 and 5/2 Valve

Body : Stainless Steel SS 316L/ Aluminium
hard Anodized*

Port Connection 1/4" NPT(F)

Orifice : 6.7 mm

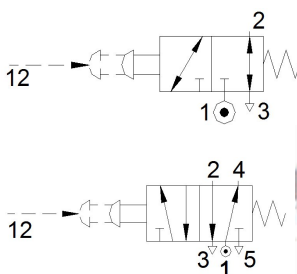
Seal : Viton GLT/ NBR

Pilot, Main Media : Air, Water, Gas, Oil

3/2 valve ready to use as NC/ NO/ Universal

Pressure : 0 - 16 bar

Type : 7210MR1



3/2, 5/2 Air Operated Spring Return with Manual Reset Valve. Valve does not operate with Pilot Signal till set manually by pulling Knob. The valve reset when pilot signal is removed.
Pilot Pressure : 3.5 - 16 bar

Type	Model	
	Size 1/4"	Size 1/2"
3/2	GDAF 7210MR1	GDAF 7410MR1
5/2	GVAF 7210MR1	GVAF 7410MR1



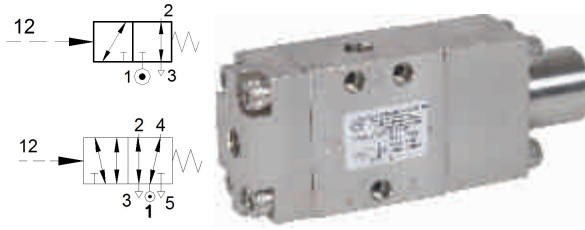
*Valve having Aluminium hard anodized body may have minor leakage across port
Valve body material is normally from Stainless Steel

GAS OVER OIL CONTROL CABINET VALVE

GENERAL FEATURE

3/2 and 5/2 Valve
Body : Stainless Steel SS316L/ Aluminium hard Anodized
 Port Connection 1/4" NPT(F)
Main Pressure : 0-350 for 8 series valve
 0-150 for 9 series valve
Pilot Pressure : 10-150 for 9 series valve
10-350 for 8 series valve
 Orifice : 6.7 mm
Seal/ O ring : PTFE+Viton GLT/ PTFE+NBR
 Pilot, Main Media : Air, Water, Gas, Oil
Size : 1/4" NPT

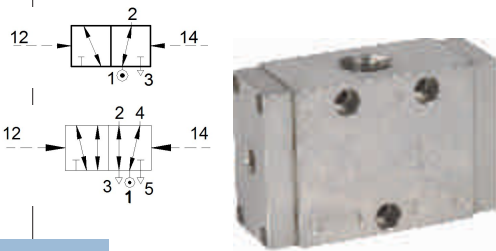
Type : 8210/ 9210



3/2, 5/2 Air Operated Spring Return Valve

Type	Pressure 350 bar	Pressure 150 bar
3/2	GDAF 8210	GDAF 9210
5/2	GVAF 8210	GVAF 9210

Type : 9211/ 8211



3/2, 5/2 Air Operated Air Return Valve

Type	Pressure 350 bar	Pressure 150 bar
3/2	GDAF 8211	GDAF 9211
5/2	GVAF 8211	GVAF 9211

Type : 9232/ 8232

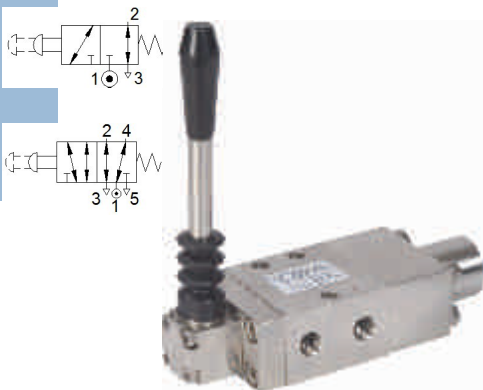


3/2, 5/2 Air Operated Spring Return Valve
 Low Pilot Pressure: 5 - 160 bar

Type	Pressure 350 bar	Pressure 150 bar
3/2	GDAF 8232	GDAF 9232
5/2	GVAF 8232	GVAF 9232

11

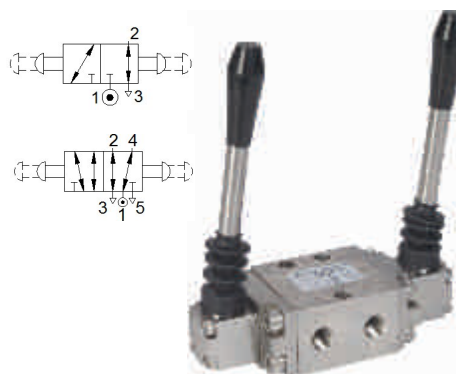
Type : 8205/ 9205



3/2, 5/2 Hand Operated Spring Return Valve

Type	Pressure 350 bar	Pressure 150 bar
3/2	GDAF 8205	GDAF 9205
5/2	GVAF 8205	GVAF 9205

Type : 8204/ 9204



3/2, 5/2 Hand Operated Hand Return

Type	Pressure 350 bar	Pressure 150 bar
3/2	GDAF 8204	GDAF 9204
5/2	GVAF 8204	GVAF 9204



GAS OVER OIL CONTROL CABINET VALVE

TYPE	PORT SIZE NPT(F)	MODEL	PRESSURE (bar)	ACTION	OPERATING COVER Ref (mm)	HOUSING Ref (mm)	RETURN COVER Ref (mm)	TOTAL LENGTH(mm)
3/2	1/4"	GDAF7204	0-16	HAND OPERATED HAND RETURN	3 (89)	A (62)	2 (23)	174
3/2	1/4"	GDAF7205	0-16	HAND OPERATED SPRING RETURN	3 (89)	A (62)	2 (23)	174
3/2	1/4"	GDAF7205M2	0-16	HAND OPERATED SPRING RETURN WITH KNOB OPERATED LOCKING ARRANGEMENT	4 (89)	A (62)	2 (23)	174
3/2	1/4"	GDAF7210	0-16	AIR OPERATED SPRING RETURN	1 (23)	A (62)	2 (23)	108
3/2	1/4"	GDAF7210M1	0-16	AIR OPERATED SPRING RETURN WITH KNOB OPERATED	1 (23)	A (62)	3 (89)	174
3/2	1/4"	GDAF7210M2	0-16	AIR OPERATED SPRING RETURN WITH KNOB OPERATED LOCKING ARRANGEMENT	1 (23)	A (62)	4 (89)	174
3/2	1/4"	GDAF7210MR1	0-16	AIR OPERATED SPRING RETURN WITH MANUAL RESET KNOB	1 (23)	A (62)	3 (89)	174
3/2	1/4"	GDAF7211	0-16	AIR OPERATED AIR RETURN	1 (23)	A (62)	1 (23)	108
3/2	1/4"	GDAF7211M1	0-16	AIR OPERATED AIR RETURN KNOB OPERATED	1 (23)	A (62)	9 (89)	174
3/2	1/4"	GDAF7232	0-16	AIR OPERATED SPRING RETURN (LOW PILOT PRESSURE)	15 (81)	A (62)	2 (23)	166
3/2	1/4"	GDAF7232M1	0-16	AIR OPERATED SPRING RETURN (LOW PILOT PRESSURE KNOB OPERATED)	15 (81)	A (62)	3 (89)	232
3/2	1/4"	GDAF7232M2	0-16	AIR OPERATED SPRING RETURN (LOW PILOT PRESSURE) WITH KNOB OPERATED LOCKING ARRANGEMENT	15 (81)	A (62)	4 (89)	232
3/2	1/4"	GDAF9204	0-150	HAND OPERATED HAND/ KNOB RETURN	14 (63)	E (62)	8 (12)	137
3/2	1/4"	GDAF9205	0-150	HAND OPERATED SPRING RETURN	14 (63)	E (62)	11 (73)	196
3/2	1/4"	GDAF9210	0-150	AIR OPERATED SPRING RETURN	12 (27)	E (62)	11 (73)	162
3/2	1/4"	GDAF9210MR1	0-150	AIR OPERATED SPRING RETURN WITH MANUAL RESET KNOB	5 (12)	E (62)	19 (136)	210
3/2	1/4"	GDAF9211	0-150	AIR OPERATED AIR RETURN	12 (27)	E (62)	12 (27)	116
3/2	1/4"	GDAF9232	0-150	AIR OPERATED SPRING RETURN (LOW PILOT PRESSURE)	13 (86)	E (62)	11 (73)	221
3/2	1/4"	GDAF8204	0-350	HAND OPERATED HAND RETURN	14 (63)	E (62)	14 (63)	188
3/2	1/4"	GDAF8210	0-350	AIR OPERATED SPRING RETURN	12 (27)	E (62)	11 (73)	162
3/2	1/4"	GDAF8211	0-350	AIR OPERATED AIR RETURN	12 (27)	E (62)	12 (27)	116
3/2	1/4"	GDAF8232	0-350	AIR OPERATED SPRING RETURN (LOW PILOT PRESSURE)	13 (86)	E (62)	11 (73)	221
3/2	1/2"	GDAF7404	0-16	KNOB OPERATED HAND RETURN	7 (89)	C (72)	8 (12)	173
3/2	1/2"	GDAF7405	0-16	KNOB OPERATED SPRING RETURN	7 (89)	C (76)	8 (12)	177
3/2	1/2"	GDAF7405M2	0-16	HAND OPERATED SPRING RETURN WITH KNOB OPERATED WITH LOCKING ARRANGEMENT	10 (89)	C (76)	8 (12)	177
3/2	1/2"	GDAF7410	0-16	AIR OPERATED SPRING RETURN	5 (12)	C (76)	8 (12)	100
3/2	1/2"	GDAF7410M1	0-16	AIR OPERATED SPRING RETURN KNOB OPERATED	5 (12)	C (76)	7 (89)	177
3/2	1/2"	GDAF7410M2	0-16	AIR OPERATED SPRING RETURN WITH KNOB OPERATED LOCKING ARRANGEMENT	5 (12)	C (76)	10 (89)	177
3/2	1/2"	GDAF7410MR1	0-16	AIR OPERATED SPRING RETURN WITH MANUAL RESET KNOB	5 (12)	C (76)	7 (89)	177
3/2	1/2"	GDAF7411	0-16	AIR OPERATED AIR RETURN	5 (12)	C (76)	5 (12)	100



GAS OVER OIL CONTROL CABINET VALVE

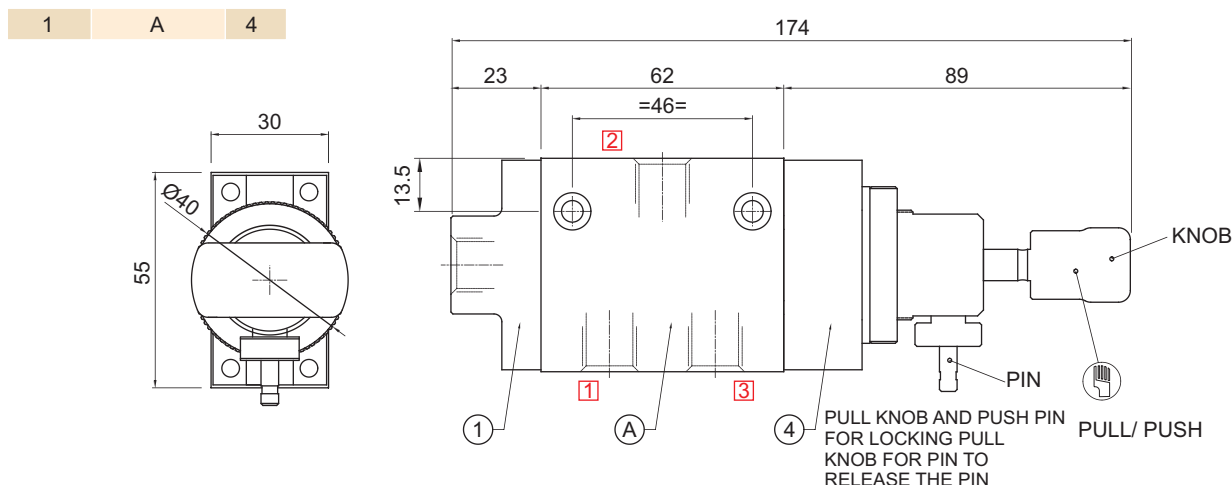
TYPE	PORT SIZE NPT(F)	MODEL	PRESSURE (bar)	ACTION	OPERATING COVER Ref (mm)	HOUSING Ref (mm)	RETURN COVER Ref (mm)	TOTAL LENGTH(mm)
3/2	1/2"	GDAF7411M1	0-16	AIR OPERATED AIR RETURN WITH KNOB OPERATED	5 (12)	C (76)	6 (89)	177
3/2	1/2"	GDAF7432	0-16	AIR OPERATED SPRING RETURN (LOW PILOT PRESSURE)	16 (70)	C (76)	8 (12)	158
3/2	1/2"	GDAF7432M1	0-16	AIR OPERATED SPRING RETURN (LOW PILOT PRESSURE) WITH KNOB OPERATED	16 (70)	C (76)	7 (89)	235
3/2	1/2"	GDAF7432M2	0-16	AIR OPERATED SPRING RETURN (LOW PILOT PRESSURE) WITH KNOB OPERATED LOCKING ARRANGEMENT	16 (70)	C (76)	10 (89)	235
3/2	1/2"	GDAF9404	0-150	HAND OPERATED HAND RETURN	14 (63)	C (76)	8 (12)	151
3/2	1/2"	GDAF9405	0-150	HAND OPERATED SPRING RETURN	14 (63)	C (76)	11 (73)	212
3/2	1/2"	GDAF9410	0-150	AIR OPERATED SPRING RETURN	12 (27)	C (76)	11 (73)	176
3/2	1/2"	GDAF9410MR1	0-150	AIR OPERATED SPRING RETURN WITH MANUAL RESET KNOB	5 (120)	C (76)	19 (136)	224
3/2	1/2"	GDAF9411	0-150	AIR OPERATED AIR RETURN	12 (27)	C (76)	12 (27)	130
3/2	1/2"	GDAF9432	0-150	AIR OPERATED SPRING RETURN (LOW PILOT PRESSURE)	13 (86)	C (76)	11 (73)	235
3/2	1/2"	GDAF8404	0-350	HAND OPERATED HAND RETURN	14 (63)	C (76)	14 (63)	202
3/2	1/2"	GDAF8405	0-350	HAND OPERATED SPRING RETURN	14 (63)	C (76)	11 (73)	212
3/2	1/2"	GDAF8411	0-350	AIR OPERATED AIR RETURN	12 (27)	C (76)	12 (27)	130
3/2	1/2"	GDAF8432	0-350	AIR OPERATED SPRING RETURN (LOW PILOT PRESSURE)	13 (86)	C (76)	11 (73)	235
5/2	1/4"	GVAF7204	0-16	HAND OPERATED HAND RETURN	3 (89)	D (27)	2 (23)	184
5/2	1/4"	GVAF7205	0-16	HAND OPERATED SPRING RETURN	3 (89)	D (27)	2 (23)	184
5/2	1/4"	GVAF7205M2	0-16	HAND OPERATED SPRING RETURN WITH KNOB OPERATED WITH LOCKING ARRANGEMENT	4 (89)	B (62)	2 (23)	174
5/2	1/4"	GVAF7210M1	0-16	AIR OPERATED SPRING RETURN WITH KNOB OPERATED	1 (23)	B (72)	2 (89)	184
5/2	1/4"	GVAF7210MR1	0-16	AIR OPERATED SPRING RETURN WITH MANUAL RESET KNOB	1 (23)	B (72)	3 (89)	184
5/2	1/4"	GVAF7211	0-16	AIR OPERATED AIR RETURN	1 (23)	B (72)	1 (23)	118
5/2	1/4"	GVAF7210M1	0-16	AIR OPERATED HAND RETURN	1 (23)	B (72)	9 (89)	184
5/2	1/4"	GVAF7232	0-16	AIR OPERATED SPRING RETURN (LOW PILOT PRESSURE)	15 (85)	B (72)	2 (23)	180
5/2	1/4"	GVAF7232M1	0-16	AIR OPERATED SPRING RETURN (LOW PILOT PRESSURE) WITH KNOB OPERATED	15 (85)	B (72)	3 (89)	246
5/2	1/4"	GVAF7232M2	0-16	AIR OPERATED SPRING RETURN (LOW PILOT PRESSURE) WITH KNOB OPERATED LOCKING ARRANGEMENT	15 (85)	B (72)	4 (89)	246
5/2	1/4"	GVAF9204	0-150	HAND OPERATED HAND RETURN	14 (63)	F (95)	8 (12)	170
5/2	1/4"	GVAF9205	0-150	HAND OPERATED SPRING RETURN	14 (63)	F (95)	11 (73)	231
5/2	1/4"	GVAF9210	0-150	AIR OPERATED SPRING RETURN	12 (27)	F (95)	11 (73)	195
5/2	1/4"	GVAF9210MR1	0-150	AIR OPERATED SPRING RETURN WITH MANUAL RESET KNOB	5 (12)	F (95)	19 (136)	243
5/2	1/4"	GVAF9211	0-150	AIR OPERATED AIR RETURN	12 (27)	F (95)	12 (27)	149
5/2	1/4"	GVAF9232	0-150	AIR OPERATED SPRING RETURN (LOW PILOT PRESSURE)	13 (86)	F (95)	11 (73)	254
5/2	1/4"	GVAF8204	0-350	HAND OPERATED HAND RETURN	14 (63)	F (95)	14 (63)	221
5/2	1/4"	GVAF8205	0-350	HAND OPERATED SPRING RETURN	14 (63)	F (95)	11 (73)	231
5/2	1/4"	GVAF8210	0-350	AIR OPERATED SPRING RETURN	12 (27)	F (95)	11 (73)	195
5/2	1/4"	GVAF8211	0-350	AIR OPERATED AIR RETURN	12 (27)	F (95)	12 (27)	149
5/2	1/4"	GVAF8232	0-350	AIR OPERATED SPRING RETURN (LOW PILOT PRESSURE)	13 (86)	F (95)	11 (73)	254
5/2	1/2"	GVAF7404	0-16	HAND OPERATED HAND RETURN	7 (89)	D (110)	8 (12)	211
5/2	1/2"	GVAF7405	0-16	HAND OPERATED SPRING RETURN	7 (89)	D (110)	8 (12)	211



GAS OVER OIL CONTROL CABINET VALVE

TYPE	PORT SIZE NPT(F)	MODEL	PRESSURE (bar)	ACTION	OPERATING COVER Ref (mm)	HOUSING Ref (mm)	RETURN COVER Ref (mm)	TOTAL LENGTH(mm)
5/2	1/2"	GVAF7405M2	0-16	HAND OPERATED SPRING RETURN WITH KNOB OPERATED WITH LOCKING ARRANGEMENT	10 (89)	D (110)	8 (12)	211
5/2	1/2"	GVAF7410	0-16	AIR OPERATED SPRING RETURN	5 (12)	D (110)	8 (12)	134
5/2	1/2"	GVAF7410M1	0-16	AIR OPERATED SPRING RETURN WITH KNOB OPERATED	5 (12)	D (110)	7 (89)	211
5/2	1/2"	GVAF7410MR1	0-16	AIR OPERATED SPRING RETURN WITH KNOB OPERATED LOCKING ARRANGEMENT	5 (12)	D (110)	10 (89)	211
5/2	1/2"	GVAF7410MR1	0-16	AIR OPERATED SPRING RETURN WITH MANUAL RESET KNOB	5 (12)	D (110)	7 (89)	211
5/2	1/2"	GVAF7411	0-16	AIR OPERATED AIR RETURN	5 (12)	D (110)	5 (12)	134
5/2	1/2"	GVAF7411M1	0-16	AIR OPERATED AIR RETURN WITH KNOB OPERATED	5 (12)	D (110)	6 (89)	211
5/2	1/2"	GVAF7432	0-16	AIR OPERATED SPRING RETURN (LOW PILOT PRESSURE)	16 (70)	D (110)	8 (12)	192
5/2	1/2"	GVAF7432M1	0-16	AIR OPERATED SPRING RETURN (LOW PILOT PRESSURE) WITH KNOB OPERATED	16 (70)	D (110)	7 (89)	269
5/2	1/2"	GVAF7432M2	0-16	AIR OPERATED SPRING RETURN (LOW PILOT PRESSURE) WITH KNOB OPERATED LOCKING ARRANGEMENT	16 (70)	D (110)	7 (89)	269
5/2	1/2"	GVAF9404	0-150	HAND OPERATED HAND RETURN	14 (63)	D (110)	8 (12)	185
5/2	1/2"	GVAF9405	0-150	HAND OPERATED SPRING RETURN	14 (63)	D (110)	11 (73)	246
5/2	1/2"	GVAF9410	0-150	AIR OPERATED SPRING RETURN	12 (27)	D (110)	11 (73)	210
5/2	1/2"	GVAF9410MR1	0-150	AIR OPERATED SPRING RETURN WITH MANUAL RESET KNOB	5 (12)	D (110)	19 (136)	258
5/2	1/2"	GVAF9411	0-150	AIR OPERATED AIR RETURN	12 (27)	D (110)	12 (27)	164
5/2	1/2"	GVAF9432	0-150	AIR OPERATED SPRING RETURN (LOW PILOT PRESSURE)	13 (86)	D (110)	11 (73)	269
5/2	1/2"	GVAF8404	0-350	HAND OPERATED HAND RETURN	14 (63)	D (110)	14 (63)	235
5/2	1/2"	GVAF8405	0-350	HAND OPERATED SPRING RETURN	14 (63)	D (110)	11 (73)	246
5/2	1/2"	GVAF8410	0-350	AIR OPERATED SPRING RETURN	12 (27)	D (110)	11 (73)	210
5/2	1/2"	GVAF8411	0-350	AIR OPERATED AIR RETURN	12 (27)	D (110)	12 (27)	164
5/2	1/2"	GVAF8432	0-350	AIR OPERATED SPRING RETURN (LOW PILOT PRESSURE)	13 (86)	D (110)	11 (73)	269

Please select the valve model from the table above.
For details about body cover refer to [page 388 and 389](#)
An example of drawing of valve type GDAF7210M2 is as under

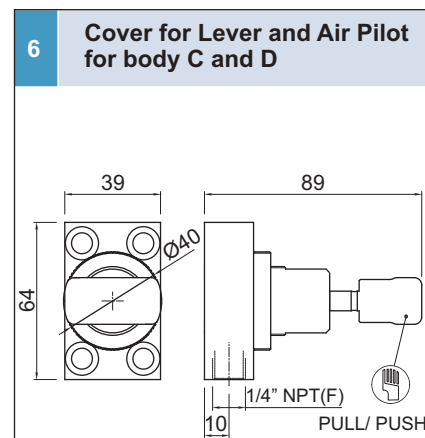
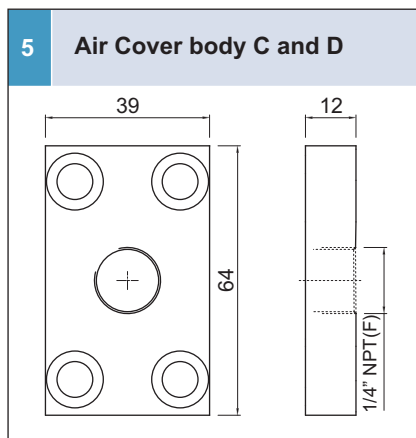
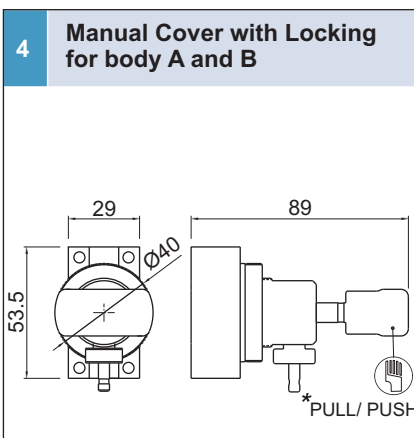
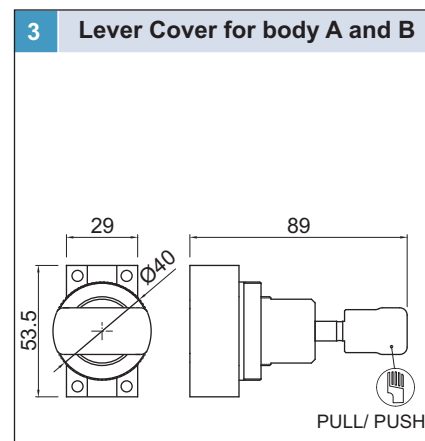
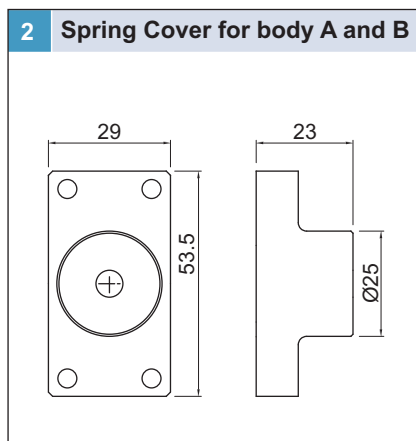
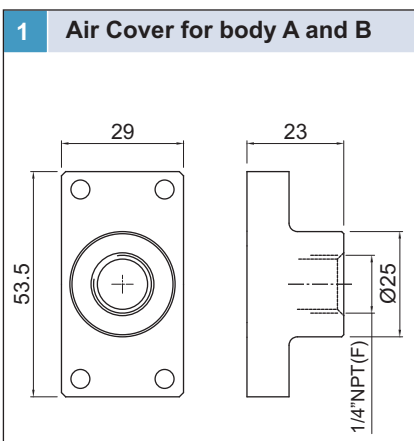
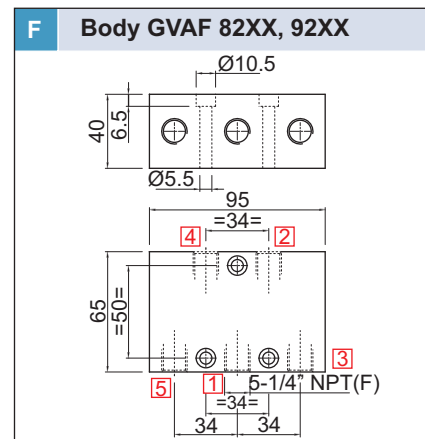
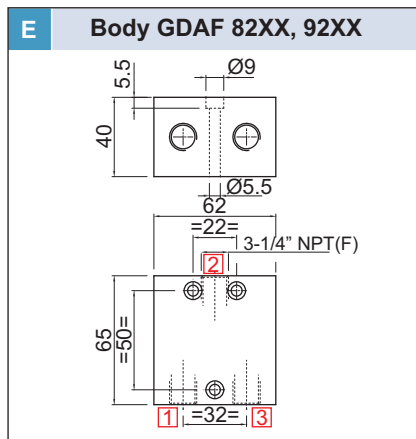
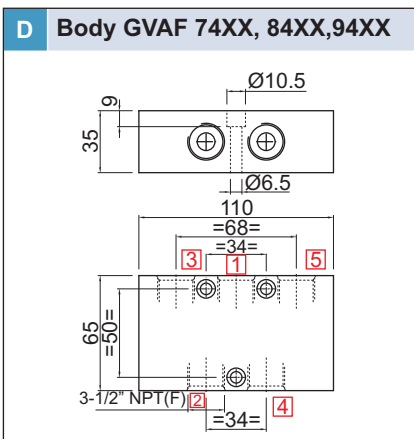
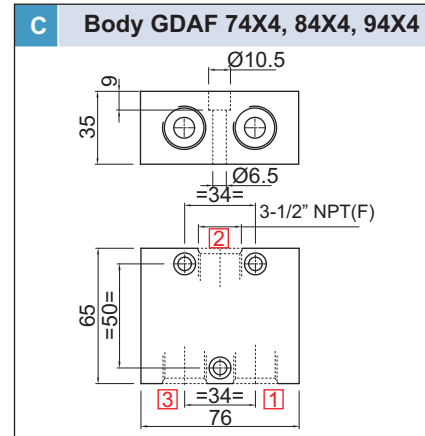
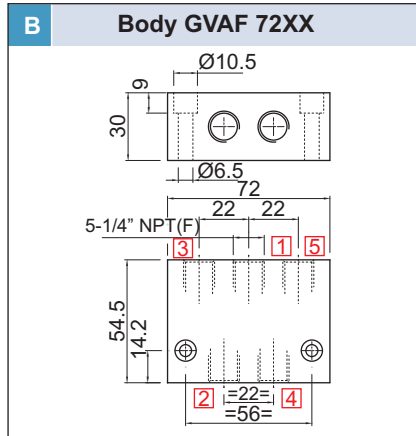
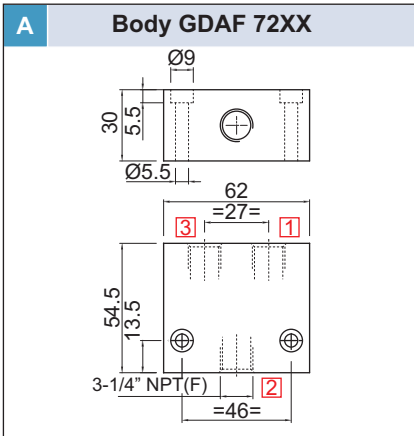


Contact Rotex in case if you do not find the valve as per your requirement



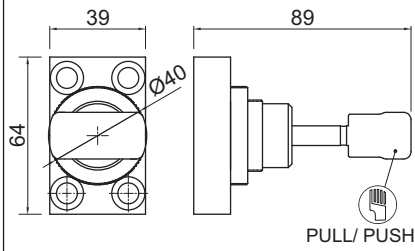
11

GAS OVER OIL CONTROL CABINET VALVE

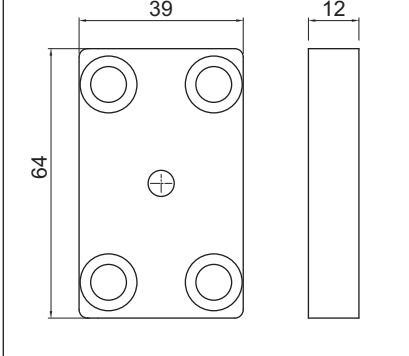


GAS OVER OIL CONTROL CABINET VALVE

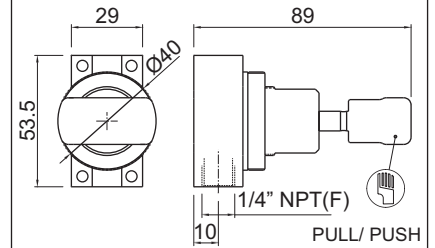
7 Lever Cover for body C and D



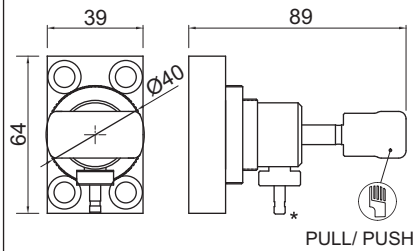
8 Spring Cover for body C and D



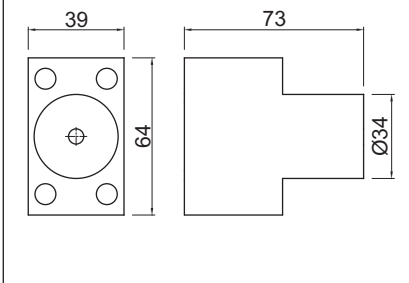
9 Lever Cover with Pilot air for body A and B



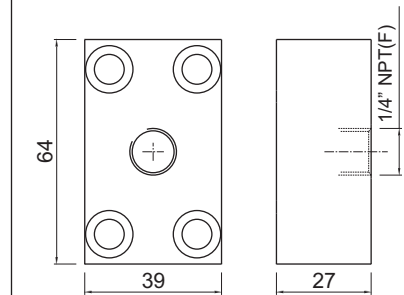
10 Lever Cover with lockable pin for body C and D



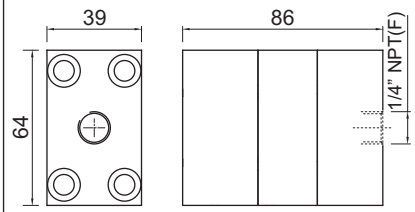
11 Spring Cover for body C, D and F.



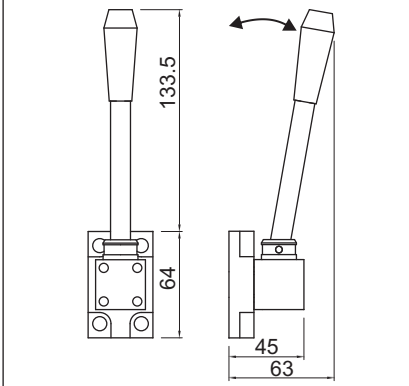
12 Air Cover for body C, D and F



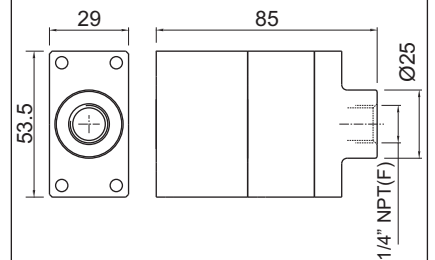
13 Low Pilot Air Cover for body C, D, E and F



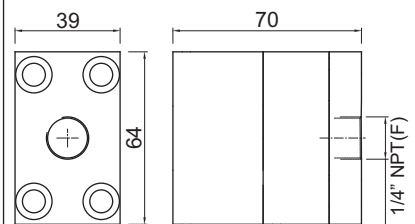
14 Lever Cover for body C, D, E and F



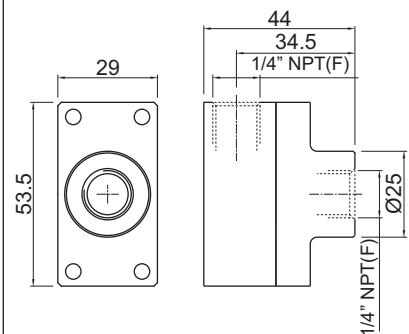
15 Low Pilot Air Cover for body A and B



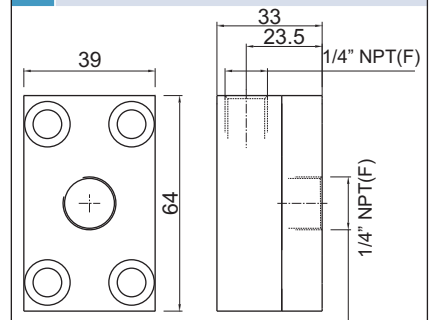
16 Low Pilot Air Cover for body C, D, E and F



17 Manual Reset Cover with Lever Reset for body A and B



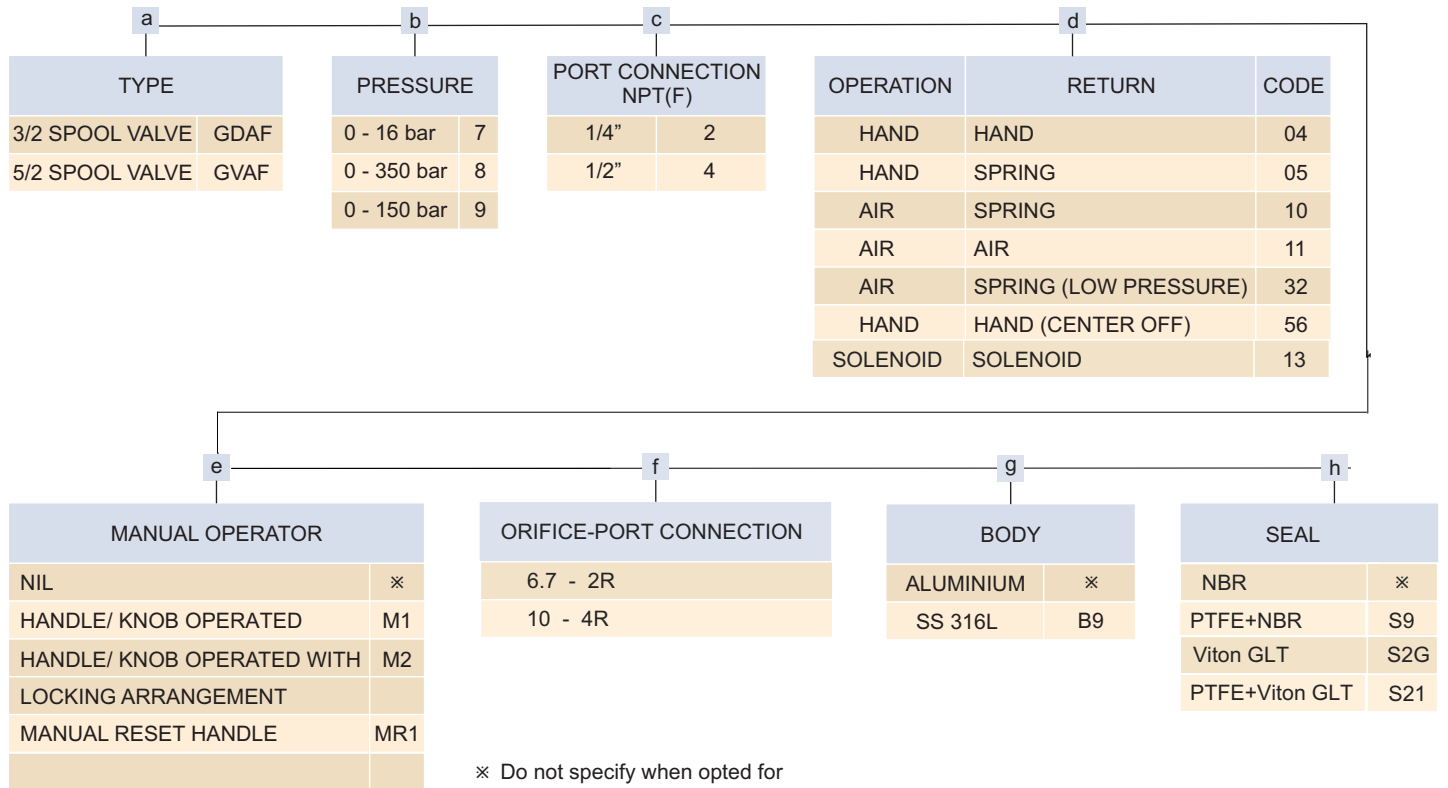
18 Manual Reset Air Cover with Reset for body C, D, E and F



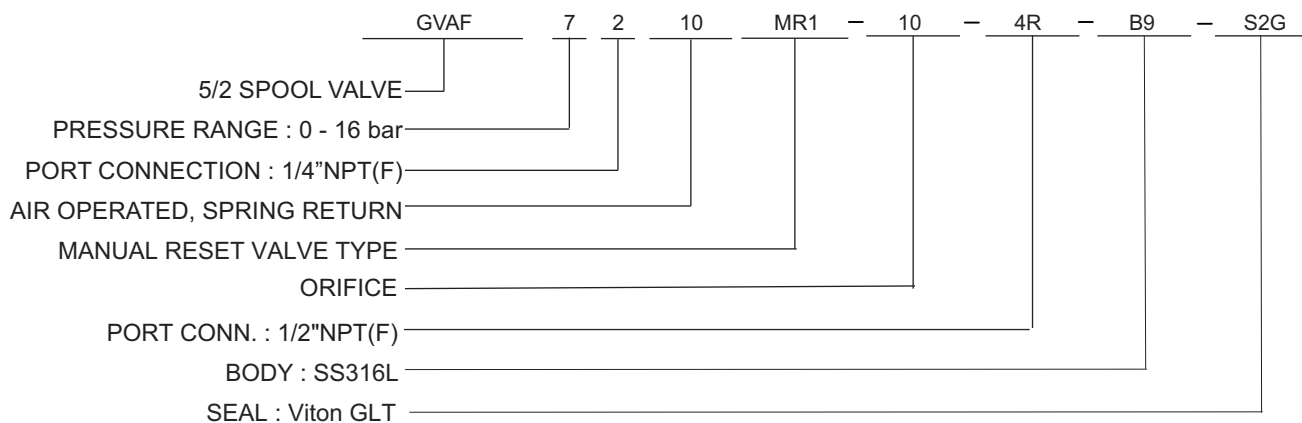
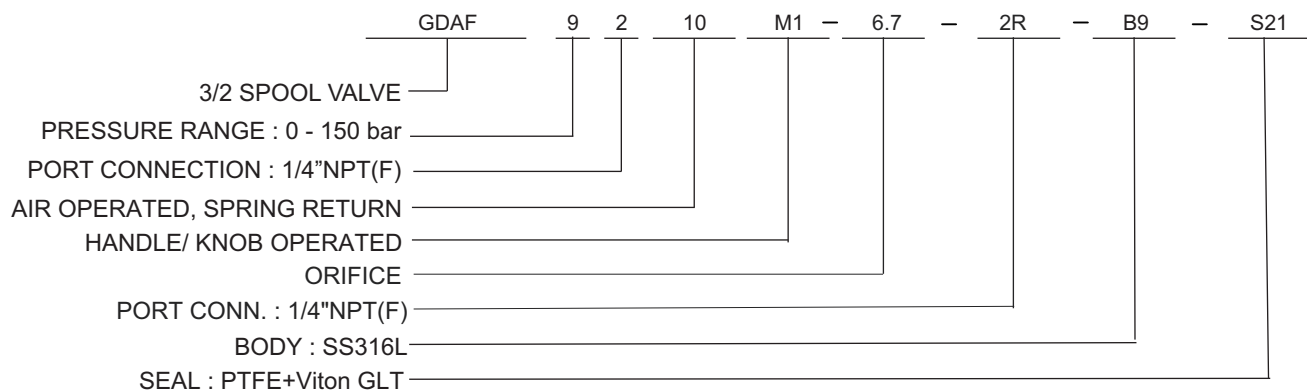
*Valve having Aluminium hard anodized body may have minor leakage across port
Valve body material is normally from Stainless Steel

GAS OVER OIL CONTROL CABINET VALVE

VALVE CODE



ORDERING EXAMPLE



GDAF, GVAF for 0 - 16 bar Aluminium hard anodized body may have minor leakage across port