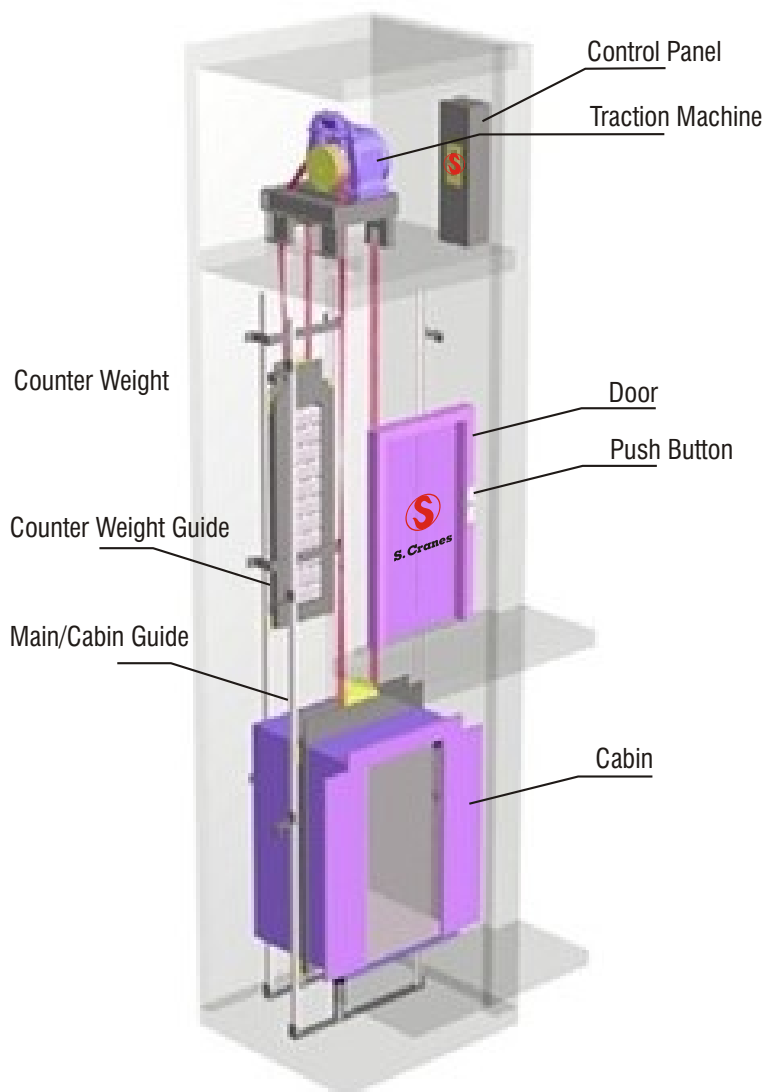
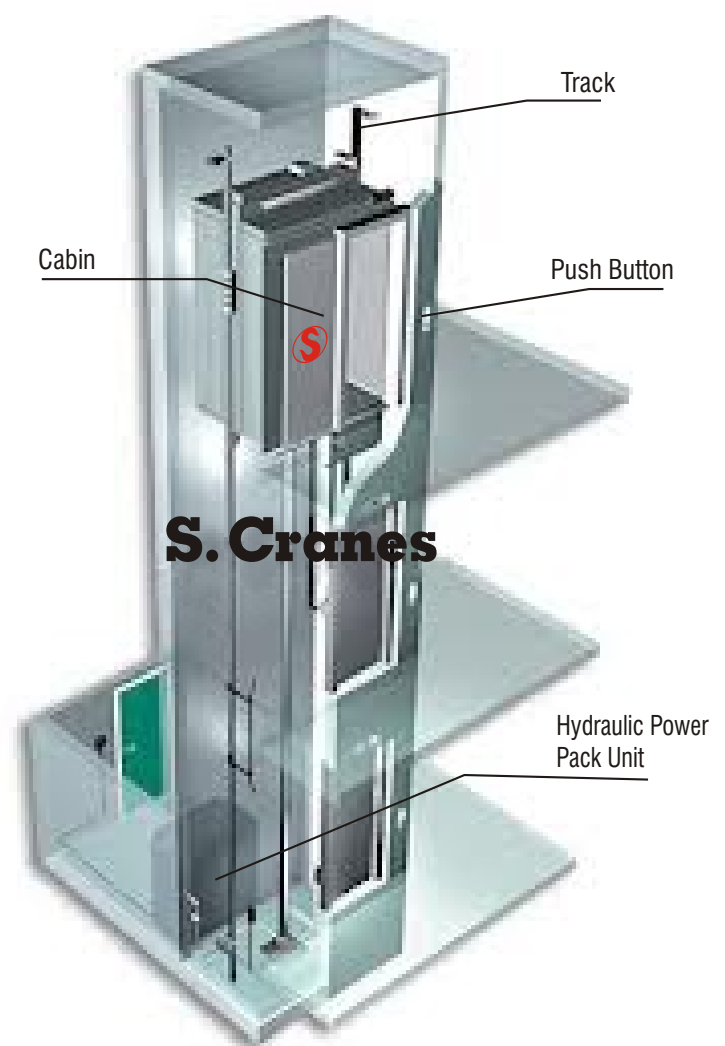


Goods Lift , Passenger Lift & Goods cum Passenger Lift

**Carry more weight, with higher lift
Use S. Cranes Goods Lift**

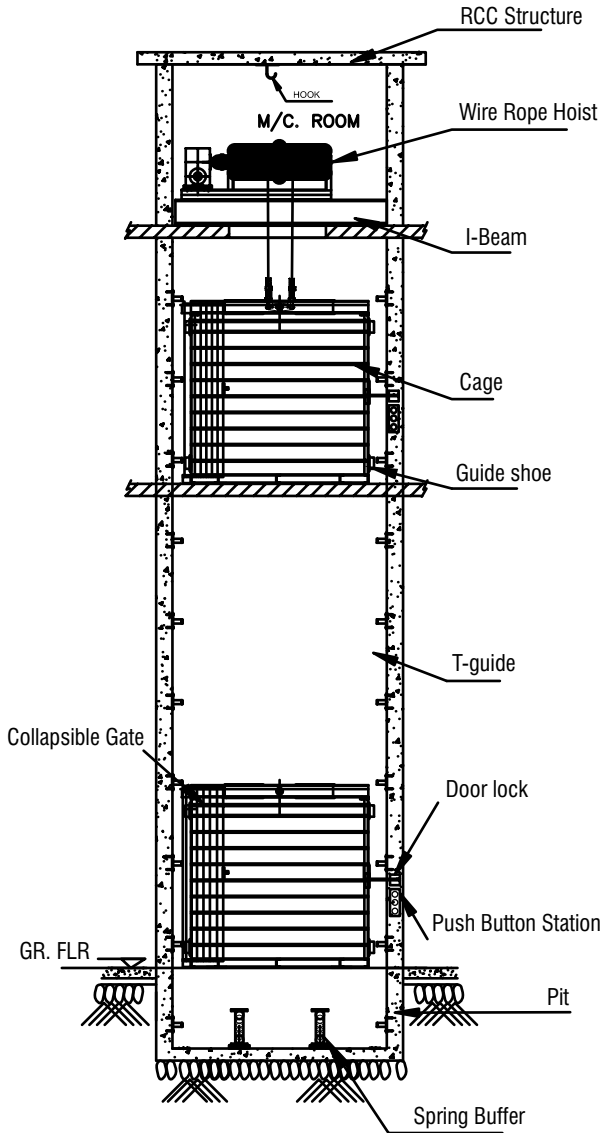


Traction Drive Type Lift



Hydraulic Goods cum Passenger Lift

TYPICAL GOODS LIFT ARRANGEMENT



ELEVATION

Available as

- A] Wire Rope Hoist Driven Lift :**
Basic economical model.
- B] Traction Drive Type Lift for**
High Speeds & More Safeties
- C] Hydraulic Goods cum Passenger Lift for**
High Speed & More Safeties

Special Features

- **Available in Standard & Flame proof options.**
- **Made as per required BIS standards for utmost Safety.**
- **Suitable for RCC structure OR can provide a self supporting structure.**
- **Various types of limit switches available for Doors, Floor Level, Emergency etc.**
- **Available with Speed Governor device to prevent free fall of the cage.**
- **Counterweight is available as an option.**

ALL COMPONENTS GENERALLY DESIGNED IN COMPLIANCE WITH INDIAN STANDARDS



Head Office: A-101, Jethe Tower, S.V. Road, Ambawadi, Dahisar (E), Mumbai - 400 068.

Tel.: 022-32209201/02/03, 28951230 **Telefax:** 022-28955361

E-mail: scrane.sales@gmail.com

Website: www.scranes.net, www.scraneengineering.com

Works: Village Ghimaniya, Taluka - Talasari, Dist: Thane, Maharashtra-401606. (Near Sanjan Railway Station)

Tel.: 0260-3208201, 3208202 **Telefax:** 0260-2576096, 2575275