

ARI

Vipul Engineering



Universal Joints

Light, Medium and Heavy Duty Applications, Cardan Shafts, Propeller Shafts & Universal Cross Joints

THE POWER OF PARTNERSHIP

☉ Director Message :

Dear Customer

We Welcome you to the Angular power Transmission Division VIPUL ENGINEERING (Brand of ARI) With the advent of new technology and the emerging customers needs, we have launched wide range of propeller shafts & Universal joint, to serve the Industry. For this purpose we came out with a brand new company.

We are well versed with the various transitions and have a great know-how of all the manufacturing processes along with applications of various mechanical components. we have a team of professional design engineers who are working solely in designing and developing the product and we manufacture the machine elements better from mere concepts. very minute details also have been taken into considerations while tailoring the product.

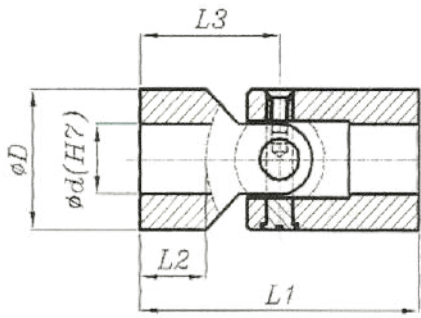
☉ Company Profile :

We manage our company according to clear-cut methods of state of the art value Management, with a focus on long lasting value creation and profitable growth. Thanks to our constant research process, we mastermind inovative products and solutions tailored to our customer's neds. "ARI" is a leading Manufacturer and exporter of a range of equipments Cardan shafts, Propeller shafts, Univeersal Cross joints and other related spare parts etc.

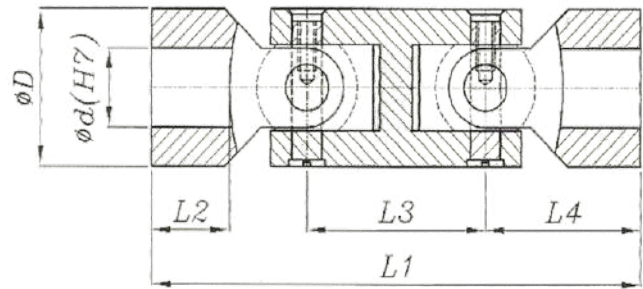
☉ Quality Product :

A RAKESH INDUSTRIES Is committed to provide high quality products to ensure complete and exceed customer satisfaction efficiently. We shall strive to maintain the quality in all aspects: manufacturing processes, design and development, selection of high grade raw materials, quality inspection etcetera.

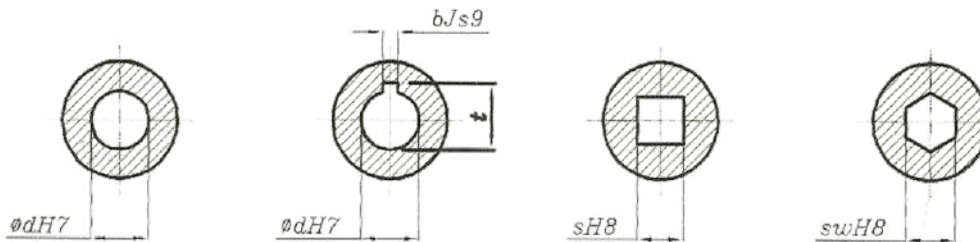




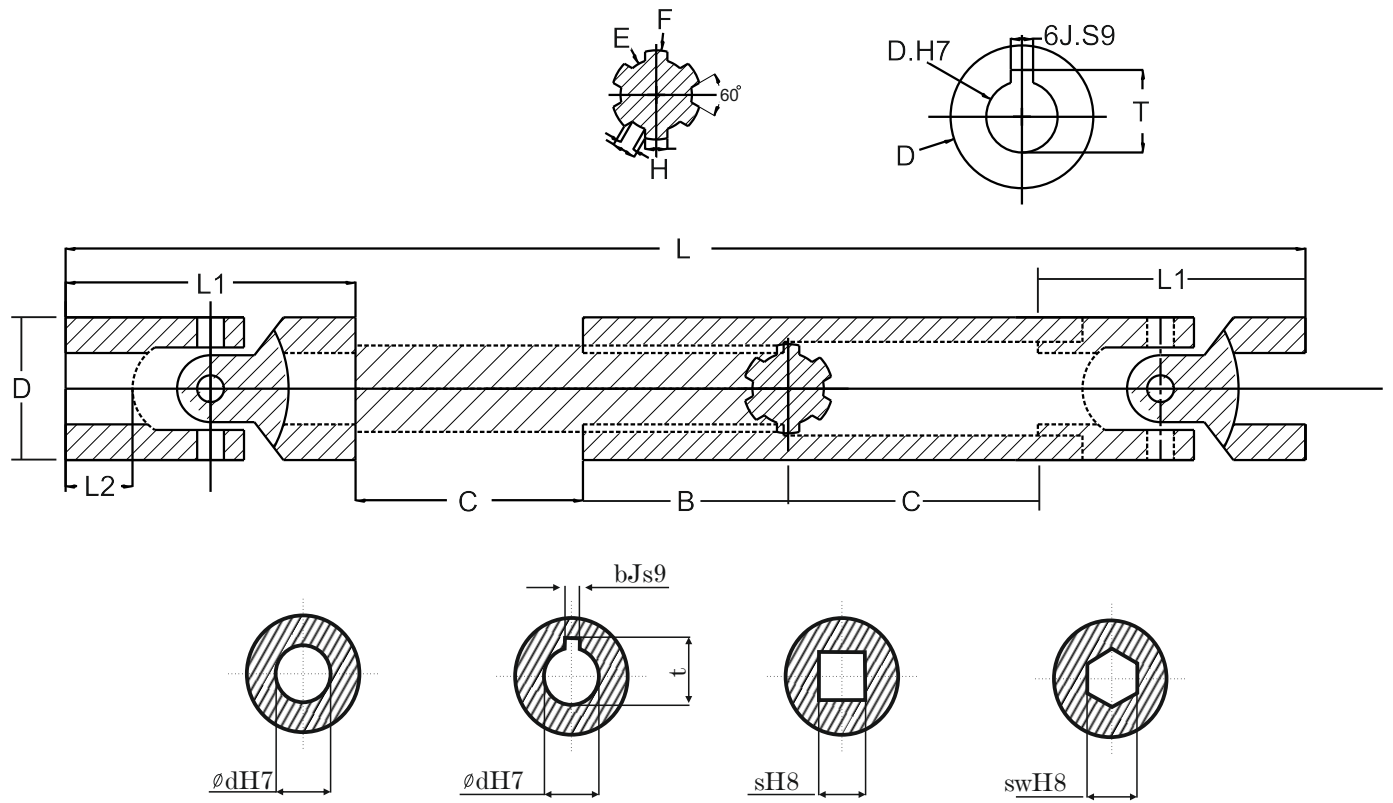
Single Joint



Double Joint

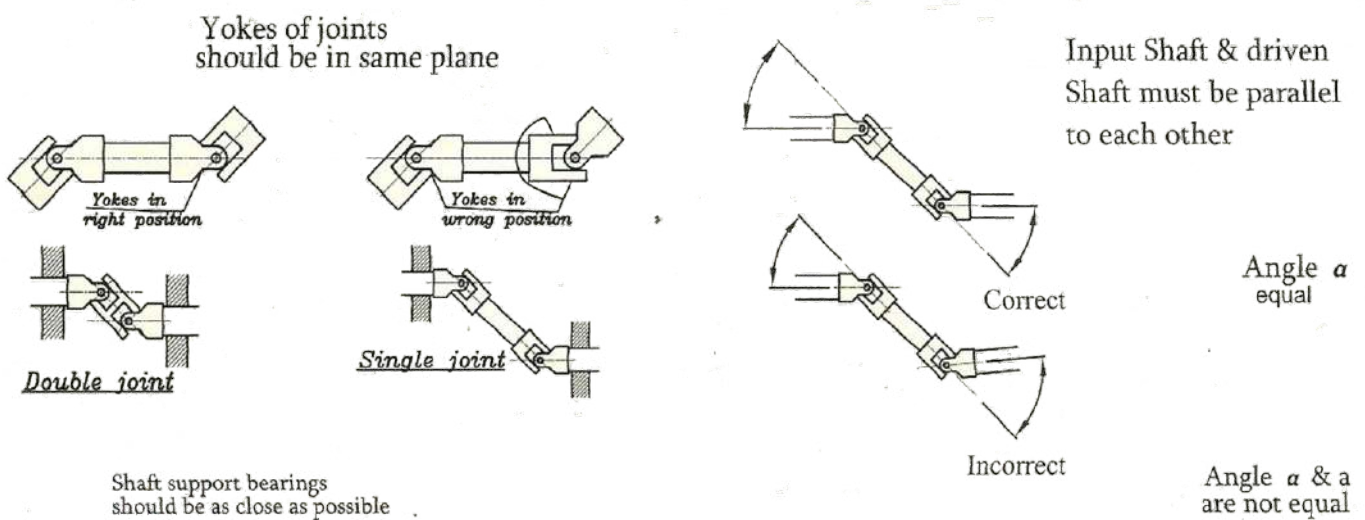


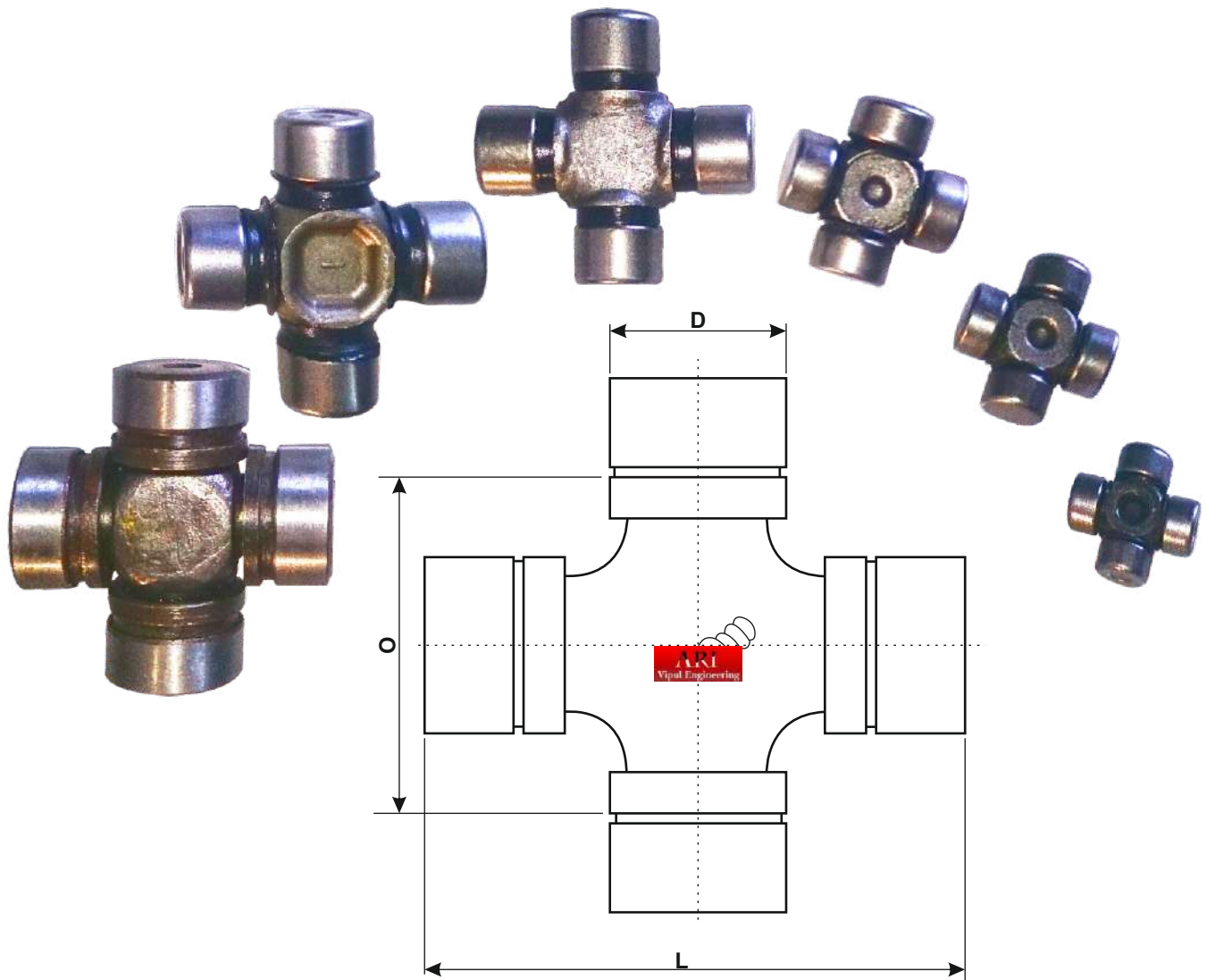
Single Joint						Double Joint						Bore			Max Static torque Nm	
Model	ϕD	ϕd	L1	L2	L3	Model	ϕD	ϕd	L1	L2	L3	L4	b x t	S		SW
ARI 13	13	6.5	34	8	17	ARI 13	13	6.5	54	8	20	17	3*7.9	6.5	6.5	21
ARI 16	16	8	40	10	20	ARI 16	16	8	63	10	23	20	3*9.4	8	8	40
ARI 20	20	10	48	12	24	ARI 20	20	10	77	12	29	24	3*11.4	10	10	80
ARI 22	22.5	11	52	12	26	ARI 22	22.5	11	81	12	29	26	3*12.4	11	11	90
ARI 25	25	12	56	14	28	ARI 25	25	12	89	14	33	28	4*13.8	12	12	118
ARI 28	28	14	62	15	31	ARI 28	28	14	97	15	34	31	5*16.3	14	14	170
ARI 32	32	16	68	16	34	ARI 32	32	16	107	16	39	34	5*18.3	16	16	250
ARI 36	36	18	72	18	36	ARI 36	36	18	115	18	43	36	6*20.8	18	18	355
ARI 40	40	20	82	20	41	ARI 40	40	20	128	20	46	41	6*22.8	20	20	500
ARI 45	45	22	95	22	47.5	ARI 45	45	22	148	22	52	47.5	6*24.8	22	22	630
ARI 50	50	25	108	27	54	ARI 50	50	25	167	27	59	54	8*28.3	25	25	800
ARI 56	56	28	122	30	61	ARI 56	56	28	188	30	66	61	8*31.3	28	28	1320
ARI 63	63	30	166	38	83	ARI 63	63	30	256	38	90	83	8*33.3	30	30	1500



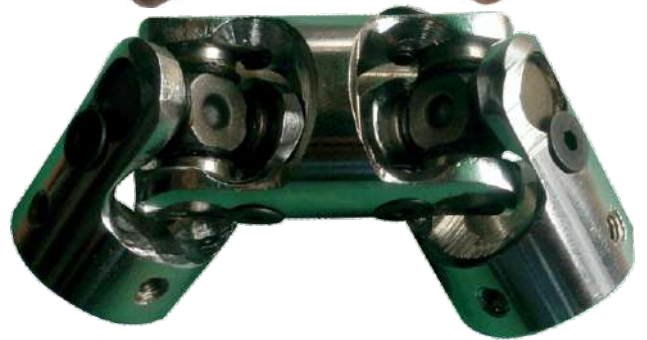
Model	$\varnothing D$	$\varnothing d$	L ₁	L ₂	B	Spline			Bore			Max Static torque Nm
						E	F	H	b x t	S	SW	
ARI 20	20	10	48	12	40	11	14	3	3x11.4	10	10	80
ARI 22	22.5	11	52	12	40	11	14	3	3x12.4	11	11	90
ARI 25	25	12	56	14	45	13	16	3.5	4x13.8	12	12	118
ARI 28	28	14	62	15	45	13	16	3.5	5x16.3	14	14	170
ARI 32	32	16	68	16	45	16	20	4	5x18.3	16	16	250
ARI 36	36	18	72	18	45	16	20	4	6x20.8	18	18	355
ARI 40	40	20	82	20	45	18	22	5	6x22.8	20	20	500
ARI 45	45	22	95	22	48	21	25	5	6x24.8	22	22	630
ARI 50	50	25	108	27	48	23	28	6	8x28.3	25	25	800
ARI 56	56	28	122	30	50	23	28	6	8x31.3	28	28	1320
ARI 63	63	30	166	38	55	26	32	6	8x33.3	30	30	1500

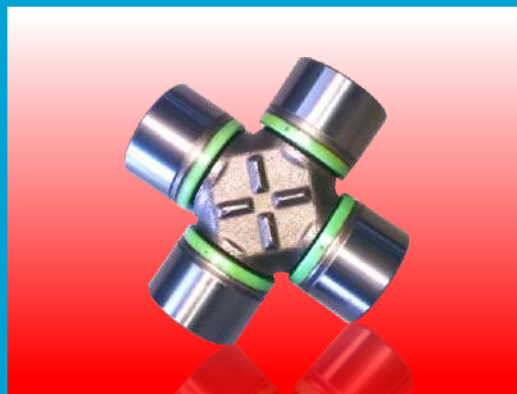
© Installation of Universal Joints:





MODEL	OD(MM)	L(MM)
ARI-CJ	8	18
ARI-CJ	10	22
ARI-CJ	12	26/30
ARI-CJ	13	37
ARI-CJ	15	40
ARI-CJ	18	43
ARI-CJ	18	47
ARI-CJ	19	47
ARI-CJ	20	47/50/54
ARI-CJ	22	50/54
ARI-CJ	25	464/45(IL)
ARI-CJ	26	68





ARI
Vipul Engineering

Vipul Engineering

Regd. office : 21 B/h, Bajarang Estate ,
Opp. Hirawadi B.R. T.S.
Bus Stand, Thakkarbapanagar ,
Kevdaji ni Chawl,
Ahmedabad-382350(GUJARAT)

Mob. : +91-9824360378, 9723460378

Web : www.arakeshindustries.com

www.arakeshindustries.co.in

Email : arakeshindustries@gmail.com

