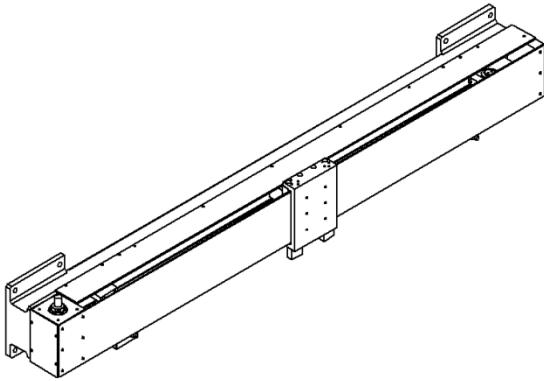




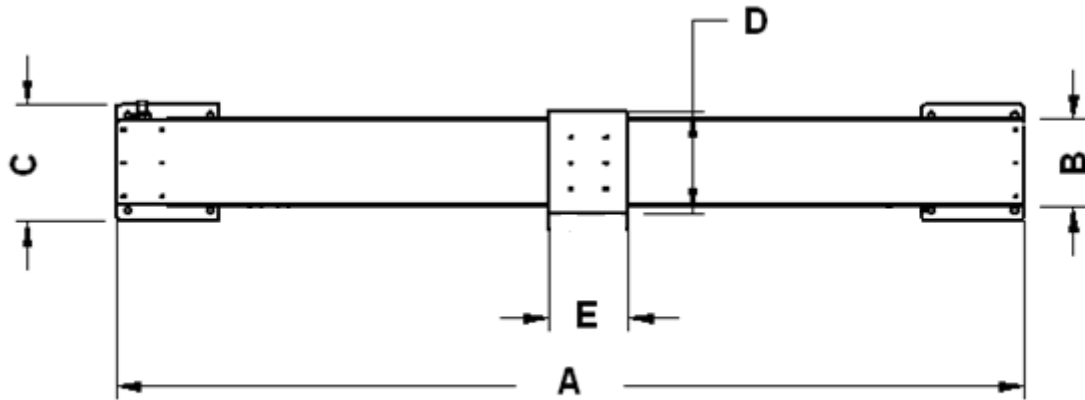
BELT DRIVEN SLIDE



- **High speed capability.**
- **Travels to 3 M.**
- **Cost effective solution for high speed applications.**

PARAMETER	SPECIFICATIONS
DRIVING ELEMENT	BELT DRIVEN
POSITIONAL ACCURACY	0.2 mm
PARALLELISM	0.2 mm
REPEATABILITY	0.2 mm
STRAIGHT LINE ACCURACY	0.2 mm

ACCURACY PARAMETERS	
P1	0.05 mm
P2	0.1 mm
P3	0.2 mm



HS-BD-B130-S

TYPE	STROKE	A	B	C	D	E	LOAD (Kg)
S500	500	900	130	180	158	123	70
S1000	1000	1550					
S1500	1500	2220					
S2000	2000	2850					