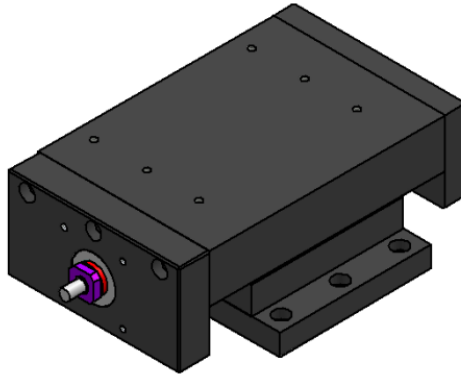




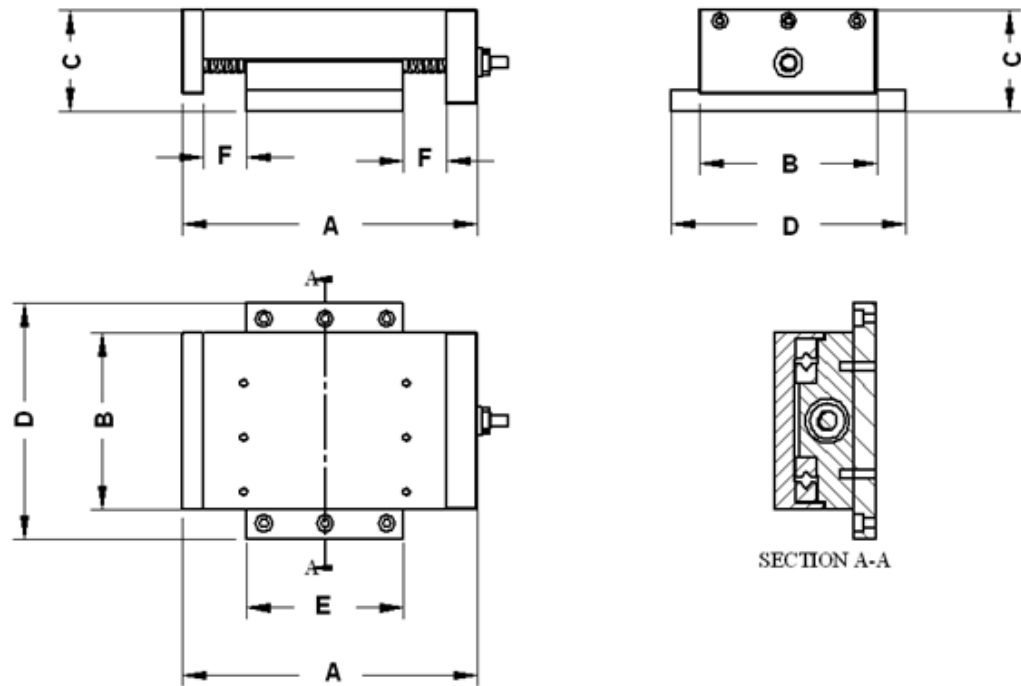
CROSS ROLLER SLIDE



- **Straight line design produces low coeff. Of friction.**
- **No side play and backlash.**
- **Light weight with high load capacity.**
- **Crossed roller technology with varying precision grades.**
- **Withstands force in any direction.**

PARAMETER	SPECIFICATIONS
DRIVING ELEMENT	BALL SCREW DRIVEN
POSITIONAL ACCURACY	0.01
PARALLELISM	10 microns
REPEATABILITY	10 microns
STRAIGHT LINE ACCURACY	10 microns

ACCURACY PARAMETERS	
P1	10 microns
P2	15 microns
P3	20 microns



HS-CRS-B124-S

TYPE	STROKE	A	B	C	D	E	F	LOAD (Kg)
S55	55	207	124	71	165	110	30	50
S95	95	307	124	71	165	160	50	
S140	140	407	124	71	165	210	70	