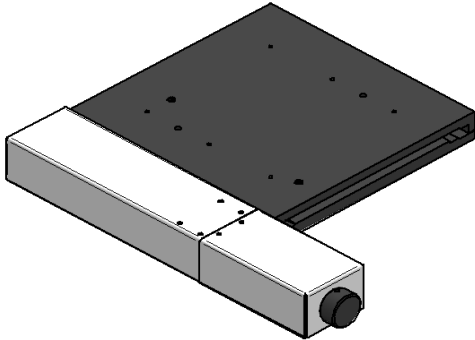




CROSS ROLLER SLIDES



SPECIFICATION:

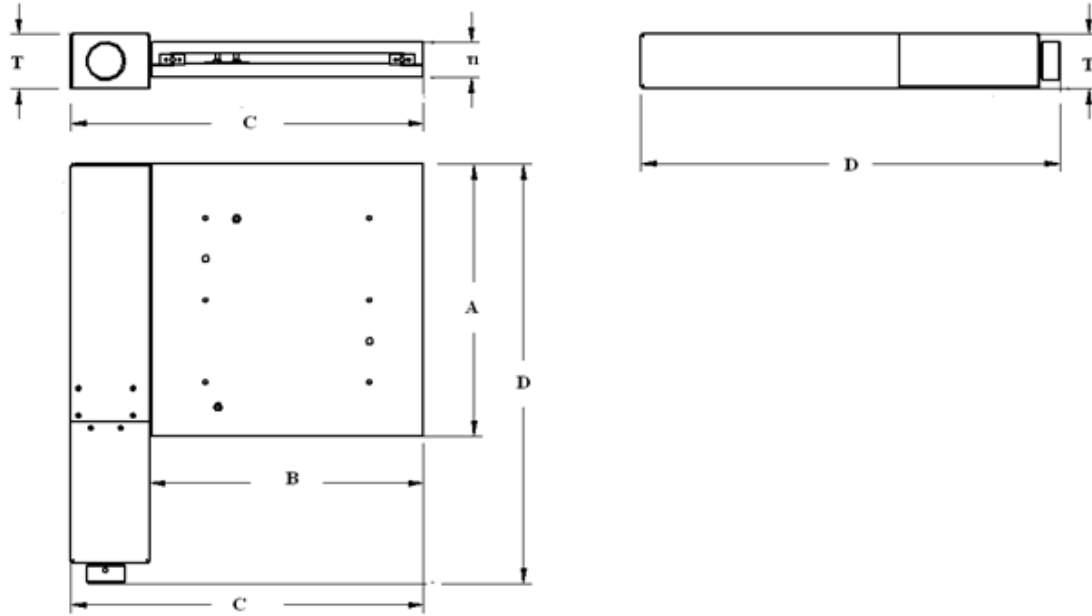
These are cross roller precision slides mainly used for microscopic & vision system applications.

These are also used for XY precision tables

- These slides are manufacture in mild steel as well as aluminum for light weight.
- High surface finish with flash chrome plating.

PARAMETER	SPECIFICATIONS
POSITIONAL ACCURACY	0.005
PARALLELISM	5 microns
REAPETABILITY	5 microns
STRAIGHT LINE ACCURACY	5 microns

ACCURACY PARAMETERS	
P1	5 microns
P2	10 microns
P3	15 microns



TYPE	STROKE	A	B	C	D	T1	T	LOAD(KG)
S75	75	180	130	189	273	30	43	10
S95	95	200	200	258	292	30	43	
S140	140	265	200	258	357	30	43	