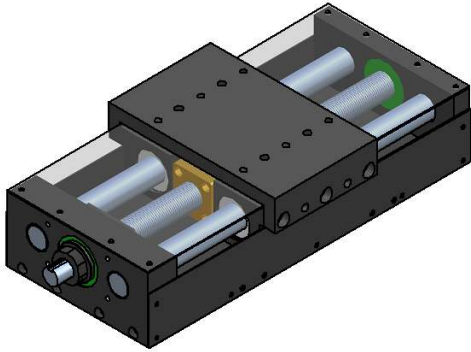




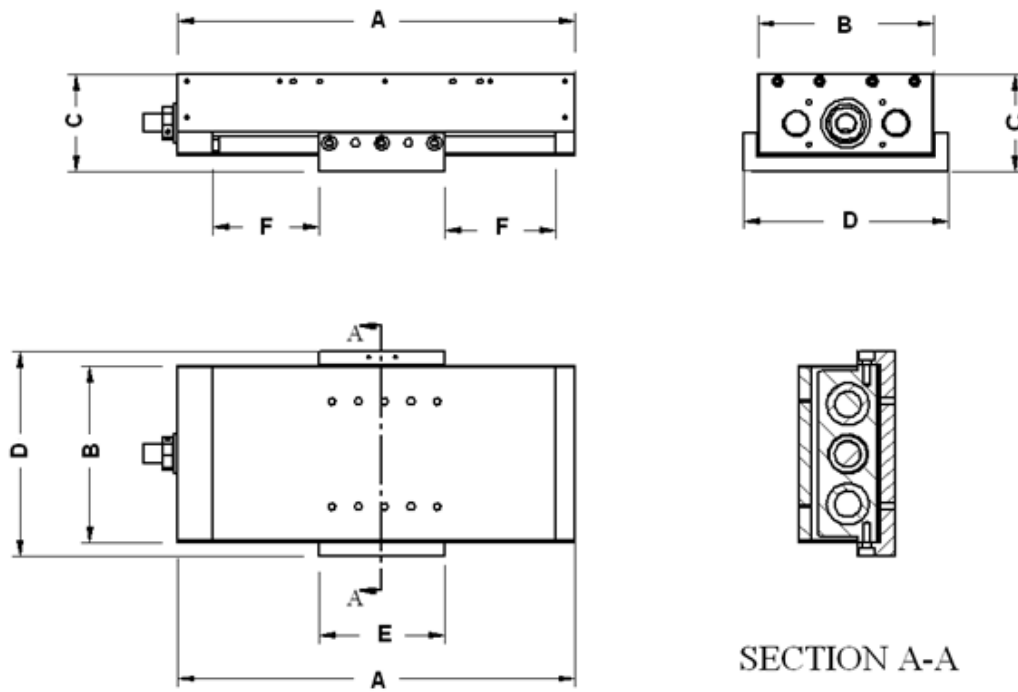
GUIDE BAR SLIDE



- **100% lubricant free.**
- **Dimensionally interchangeable with recirculating ball bearings.**
- **Ball screw driven with available hand crank.**

PARAMETER	SPECIFICATIONS
DRIVING ELEMENT	BALL SCREW DRIVEN
POSITIONAL ACCURACY	0.1 mm
PARALLELISM	0.1 mm
REPEATABILITY	0.2 mm
STRAIGHT LINE ACCURACY	0.2 mm

ACCURACY PARAMETERS	
P1	0.05 mm
P2	0.1 mm
P3	0.2 mm



HS-GB-B170-S

TYPE	STROKE	A	B	C	D	E	F	LOAD (Kg)
	2F							
S200	200	380	168	92	195	120	100	100
S400	400	580					200	
S500	500	680					250	