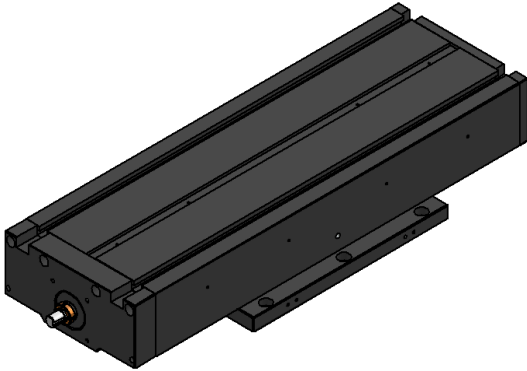




LM RAIL SLIDES (HS-LM-B -S)



SPECIFICATION :-

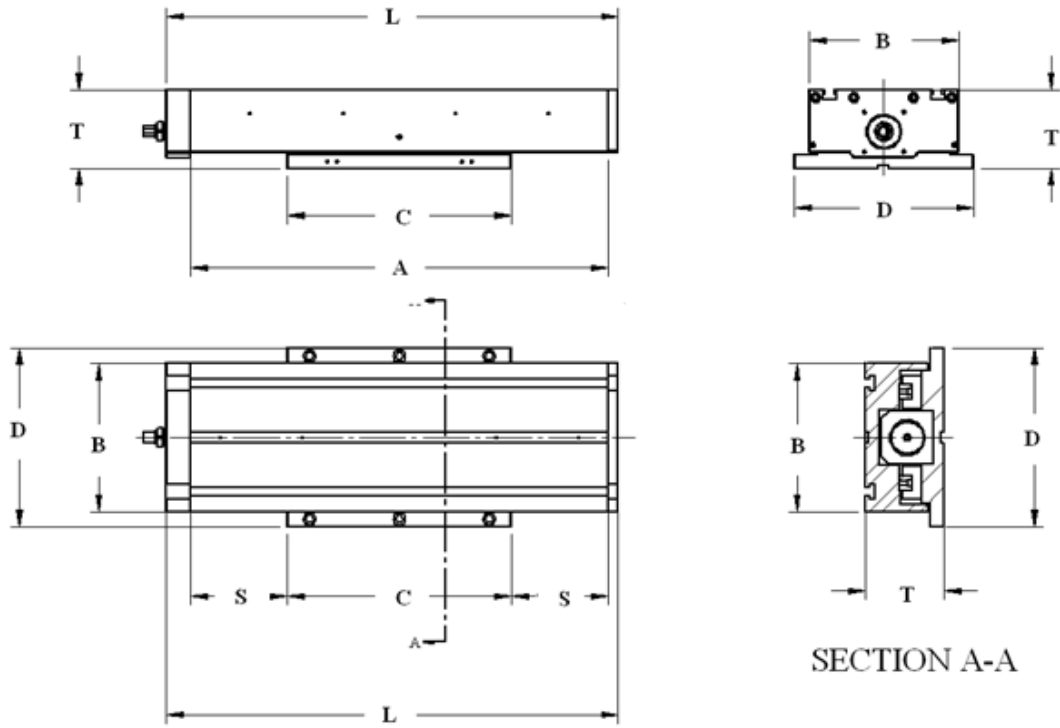
These are L.M Rail slides specially used for heavy duety & meadium duety applications.

These slides are made from gray cast iron or mild steel materials & contact surfaces are ground finish quality

- These precision slides mainly used for grinding , drilling ,milling etc applications
- Also used for special purpose machine applications.
- Directly mounting on base plate
- Bellow cover or telescopic cover protection can be provided.
- Mounting positions
 - A) Vertically mounting
 - B) Horizontally mounted
 - C) Inclined mounted

PARAMETER	SPECIFICATIONS
DRIVING ELEMENT	A) BALLSCREW DRIVEN
POSITIONAL ACCURACY	0.01
PARALLELISM	10 to 15 microns
REAPETABILITY	15 microns
STRAIGHT LINE ACCURACY	10 microns

ACCURACY PARAMETERS	
P1	10-15 microns
P2	25-30 microns
P3	above 50 microns



HS-LM-B125-S

TYPE	STROKE	A	B	C	D	L	T	LOAD(KG)
	2S							
S100	100	220	125	120	150	265	85	50
S150	150	270				315		
S200	200	320				365		
S250	250	370				415		
S300	300	420				465		
S500	500	620				665		
S750	750	870				915		
S1000	1000	1120				1165		



HS-LM-B200-S

TYPE	STROKE	A	B	C	D	L	T	LOAD(KG)
	2S							
S100	100	270	200	170	250	337	105	100
S150	150	320				387		
S200	200	370				437		
S250	250	420				487		
S300	300	470				537		
S500	500	670				737		
S750	750	920				987		
S1000	1000	1170				1237		

HS-LM-B250-S

TYPE	STROKE	A	B	C	D	L	T	LOAD(KG)
	2S							
S100	100	400	250	300	300	460	118	150
S200	200	500				560		
S300	300	600				660		
S400	400	700				760		
S500	500	800				860		
S750	750	1050				1110		
S1000	1000	1300				1360		