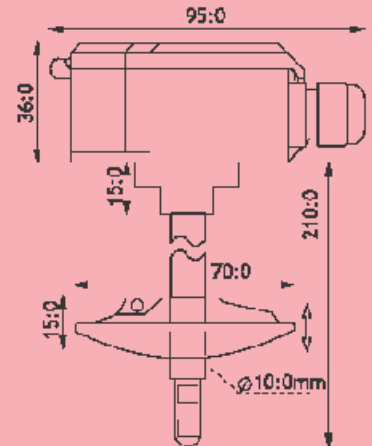
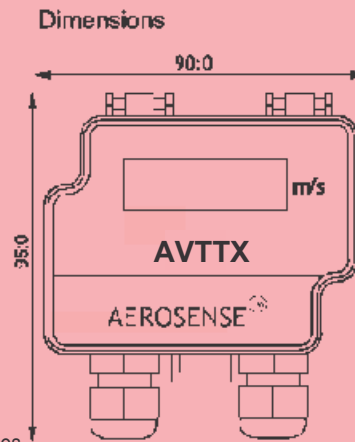


**AEROSENSE™****SERIES AVTTX**

AIR VELOCITY CUM TEMPERATURE TRANSMITTER



Air velocity transmitter is delivered individually packed with standard accessories

The **AVTTX series** air velocity/Temperature transmitters are engineered for building automation in the HVAC/R industry. The AVTTX measure air velocity and temperature, with field selectable range and output options in a single device. Designed with a duct mount probe and adjustable collar suitable for round or rectangular duct.

Specifications:

Media compatibility: Dry air or non-aggressive gases

Measuring units: m/s and °C

Measuring element: Temperature: ntc10k & Velocity: Pt1000

Operating temperature: 0...50 °C

Storage temperature: -20...70 °C

Humidity: 0 to 95 % RH, non-condensing

Velocity Range: 0–2 m/s, 0–10 m/s, 0–20 m/s

Temperature Range: 0–50 °C

Accuracy:

Velocity: ± 3%

Temperature: < 0.5° C

Dimensions:

Case: 90.0 x 95.0 x 36.0 mm

Probe: OD 10 mm, length 210 mm from bottom of the cover

Immersion Length with Flange: Adjustable 50–180 mm

Weight: 220 g

Mounting: 2 screw holes, 4.0 mm

Materials:

Case: ABS

Probe: Stainless steel 304

Mounting flange: LLPDP

Protection standard: IP54

Display: 3 1/2 digit LCD backlit display

Size: 45.7 x 12.7 mm

Electrical connections:

Power supply & signal out: 4-screw terminal block
12–24 AWG (0.2–1.5 mm²)

Relay Out: 3-screw terminal block
12–24 AWG (0.2–1.5 mm²)

Cable entry: M16

Input: 24 VDC / 24 VAC ± 10 %

Current consumption 35 mA (50 mA with relay)
+ 40 mA with mA-outs

Output signal 1: (T out)

0–10 V (linear to temperature) L min 1 kΩ
4–20 mA (linear to temperature) L max 400 Ω

Output signal 2: (V out)

0–10 V (linear to m/s) L min 1 kΩ
4–20 mA (linear to m/s) L max 400 Ω

Relay Out: 3-screw terminal block

(NC, COM, NO)

12–24 AWG (0.2–1.5 mm²)

Potential free SPDT

250 VAC, 6A / 30 VDC, 6 A adjustable switching point
and hysteresis

Conformance: Meets the requirements for CE marking

Ordering:

For Standard Air Velocity Transmitter Model AVTTX

For Display Models AVTTX-D &

For Relay Models AVTTT