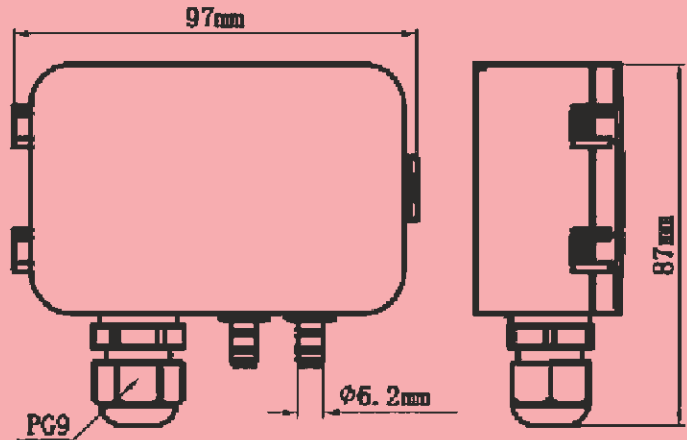




AEROSENSE DIFFERENTIAL PRESSURE TRANSMITTER



Series EDPT, Differential Pressure Transmitter detects differential pressure & converts this pressure difference to a proportional analogue output signal.

Application:

- HVAC, Energy management systems
- Furnace Ventilation Control
- Pressure monitoring in Cleanrooms
- Pharma machinery
- Fan, Blower & Filter monitoring

Features:

- High Accuracy Sensor
- Light dimension, Easy Set.
- 4 output versions are offered.
- 4 response time.

Specification:

- Service:** Air and non-aggressive gases.
- Accuracy:** ±1% of FS
- Compensated temperature:** -10~60°C
- Zero/Full range deviation %FS/ °C:** ±0.01
- Over Pressure capacity:** x15
- Output Signal:** 0~5/10VDC (3-wire); 4~20mA (2-wire), RS-485 communication
- Supply Voltage:** 12~30VDC for 0~5/10VDC & 10~30VDC for 4~20mA
- External Load:** ≥50KΩ for 0~5/10VDC & ≤250Ω for 4~20mA
- Response Time:** 0.5s, 1s, 2s, 4s.
- Operation Temperature:** -10~60°C; -40~85°C
- Cable entry:** 2 screws max 1.5mm², M12
- Housing material:** Industrial Plastic, flame retardant grade UL94-V0
- Connection:** ø6.2mm.
- Weight:** 140 Grams
- Agency Approval:** CE

Model Summary

Model	Range	Model	Range
EDPTH-FR	0-100 PA	EDPCQ-FR	50-0-50 PA
EDPT1-FR	0-250 PA	EDPTCH-FR	100-0-100 PA
EDPT2-FR	0-500 PA	EDPTC1-FR	250-0-250 PA
EDPT4-FR	0-1000 PA	EDPTC2-FR	500-0-500 PA
EDPT10-FR	0-2500 PA	EDPTC4-FR	1000-0-1000 PA
EDPT20-FR	0-5000 PA	EDPTC10-FR	2500-0-2500 PA
EDPT40-FR	0-10000 PA	EDPTC20-FR	5000-0-5000 PA
		EDPTC40-FR	10000-0-10000 PA

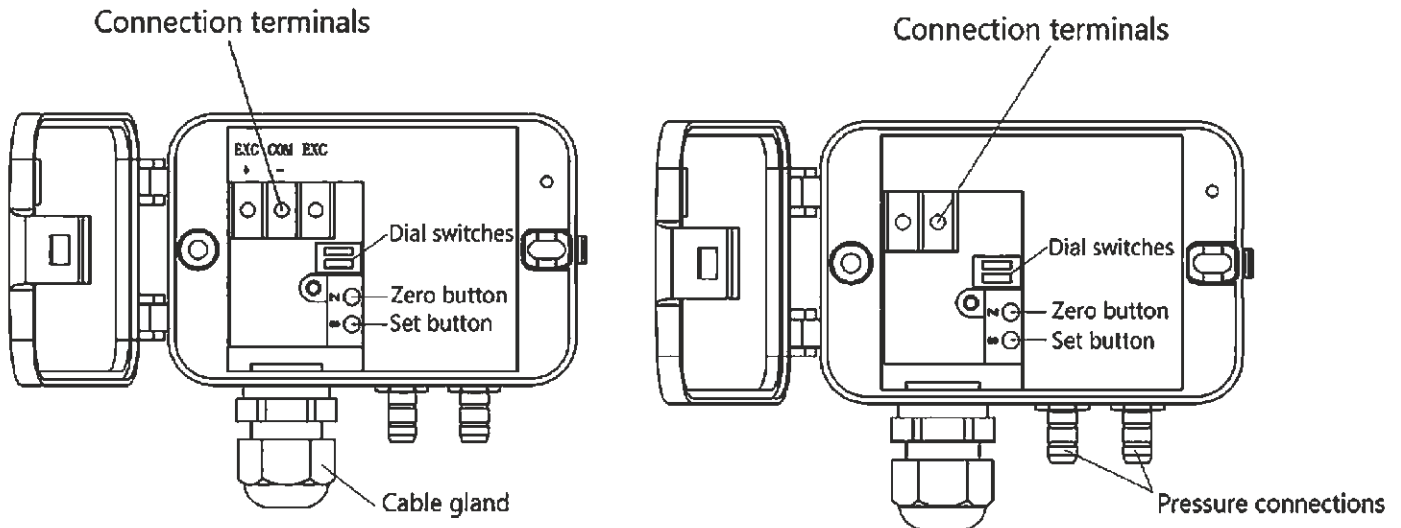
Output Response Time Setting

Dial Switch response time in following arrangement:

Dial Switch	0.5S	1s	2s	4s
1				
2				

- Add -2W to the end of model with 4-20mA output.
- Add -3W to the end of model with 0-10V output.
- Add -4W to the end of the model with RS-485 output.
- Add -5V to the end of model with 0-5V output.

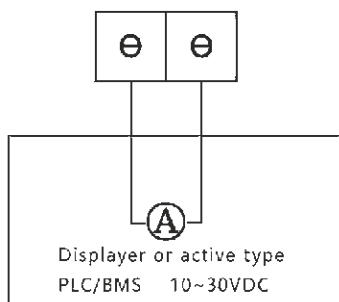
AEROSENSE DIFFERENTIAL PRESSURE TRANSMITTER



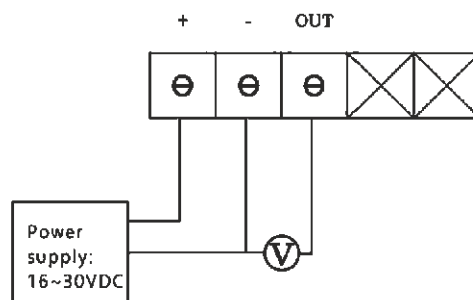
Zero Button

Push the zero button to calibrate when the differential pressure between positive port and negative port reach to zero.

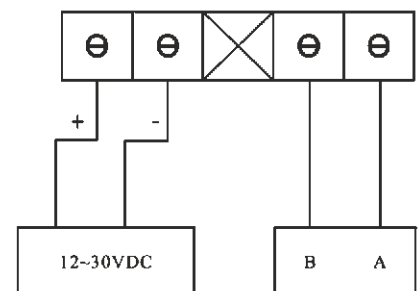
Wiring diagram



4-20mA 2-wire non-polarized



0-5VDC / 0-10VDC 3-wire



4-wire RS-485

Installation

Locate position for installation then drill holes (30mm depth with 6mm diameter).

Place expand plug inside the holes before install the transmitter.

There are two holes for screwing after uncovering the transmitter.

