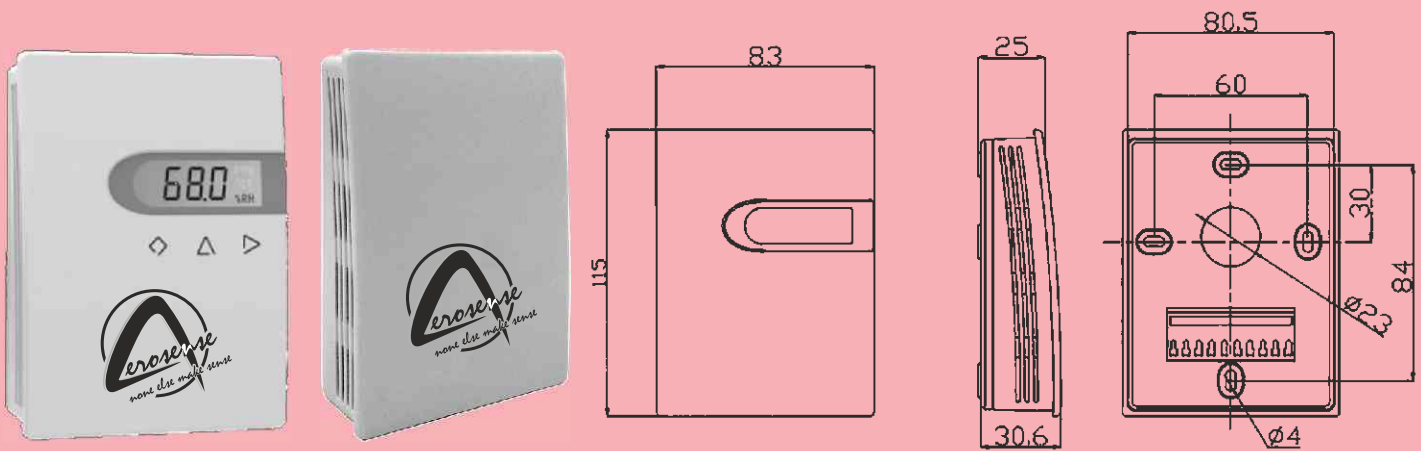




WALL MOUNT HUMIDITY & TEMPERATURE TRANSMITTER



The Series RHX-S Wall Mount Humidity & Temperature Transmitter is designed for indoor air temperature & humidity measurement. High performance digital sensors & circuits ensure accurate measurement & temp compensation.

Features:

- Good long term stability & reliability
- Fast response
- State of art housing design, easy installation & wiring
- All electrical terminals are on the inside bottom which avoid any possible destroy to the PCB when wiring.

Applications:

- Room Comfort monitoring
- Air Economizers
- Indoor Air Quality

Specifications

Relative Humidity

Temperature

Sensor: Digital polymer

Range: 0~100%RH

Output: 4~20mA(2 wires), 0~10VDC(3 wires), RS485 on Modbus Relay/0-10V

Accuracy: 2, 3%RH (25°C, 20~80%RH)

Hysteresis: <±1%RH

Response time: <10s (25°C, in slow air)

Drift: <±0.5%RH/year

Temperature

Sensor: Digital polymer

Range: 0~50°C

Accuracy: <±0.4°C(0.3°C) @5~60°C

Power: Current: 18.5~35VDC (Rload=500Ω)
8.5~35VDC (Rload=0Ω)

Voltage: 16~28VAC/ 16~35VDC

Output Load: ≤500Ω (current), ≥2KΩ (voltage)

Relay output: 2×SPST, 3A/30VDC,3A/250VAC, 3 touch keys

Display: 4 digits LCD, with unit indication, backlight

Display Resolution: 0.1°C, 0.1%RH

Temp. Limit: -20~70°C, 5~95%RH (Non condensing)

Storage Temperature: -20~80°C

Housing: ABS+PC

Protection: IP30

Approval: CE

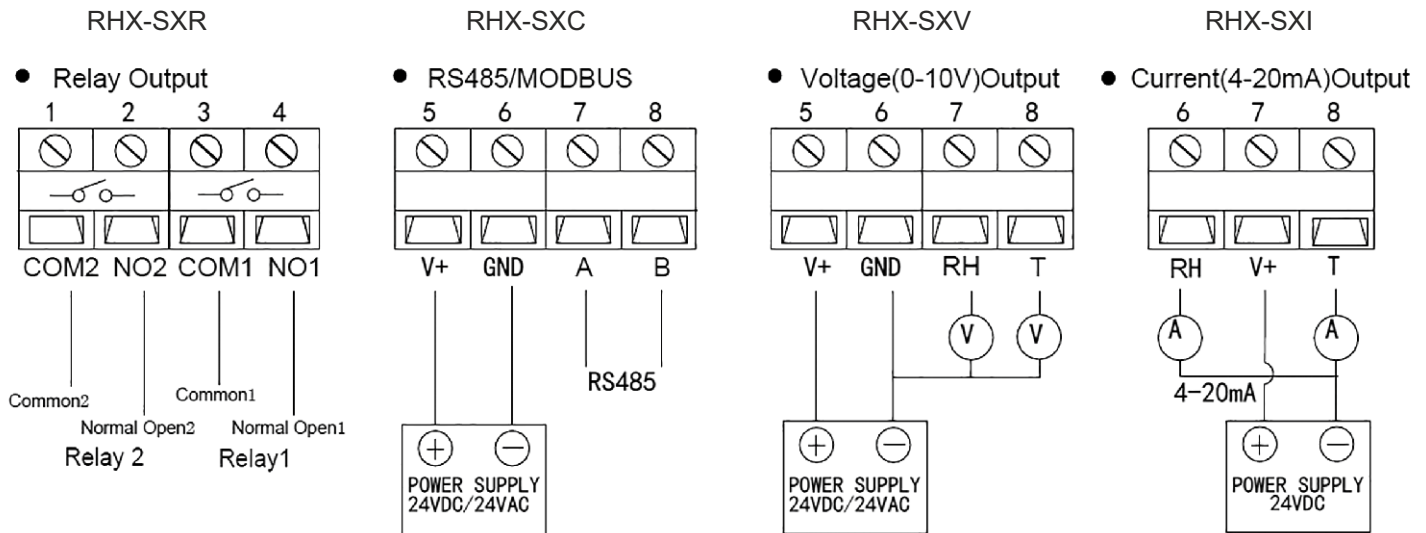
Model	RHX-S		Wall Mount Temp/RH transmitter
RH Accuracy		H L	±2% RH (0.3°C) ±3% RH (0.4°C)
Output		V I C R	0-10VDC (3 wires) 4-20mA (2 wires) RS485 on Modbus 0-10V with 2SPST & display

Add **-D** to the end of the model for display option.

WALL MOUNT HUMIDITY & TEMPERATURE TRANSMITTER

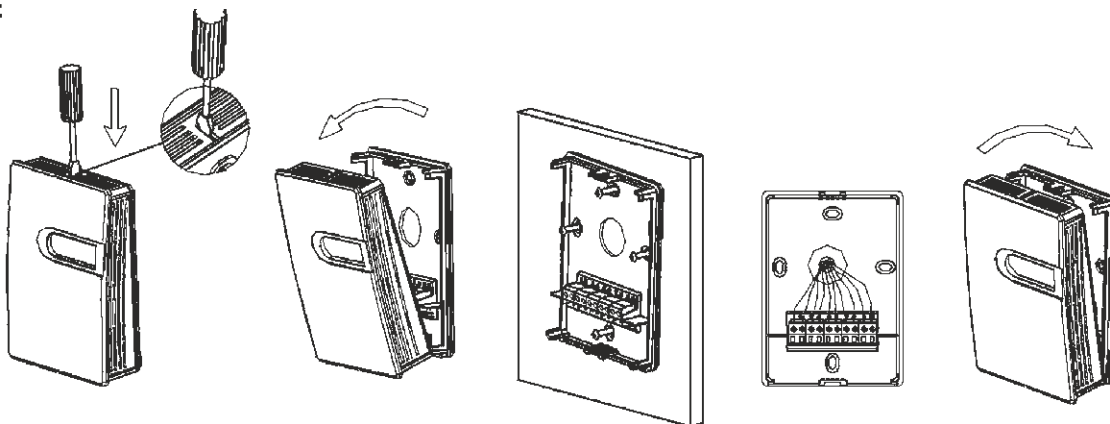
Connection:

Different models have different electrical terminals. Please wire specific model according to the wiring diagram inside the front cover.



*4-20mA models cannot be used only for Temperature measurement.

Installation:



- It should be installed vertically on the wall. The installation site should be far away from heater, cooler, fan, humidifier, dehumidifier and other heat/cool/humidity sources.
- Use a screw driver, insert into the snap at the upper side of the housing and push down a little, then open the front cover.
- Feed the cable into the housing before installing the base on the wall according to the diagram.
- Finish electrical connection according to the wiring diagram.
- Restore the front cover and finish the installation.

Attention:

It should be power OFF during installing & wiring. When using 24VAC, it is strongly recommended to power the unit with independent transformer.

If sharing a 24VAC transformer with other equipments such as controllers, transmitters or actuators, please make sure the terminals 24V and GND are connected correctly. Otherwise it will perhaps reduce serious damages.