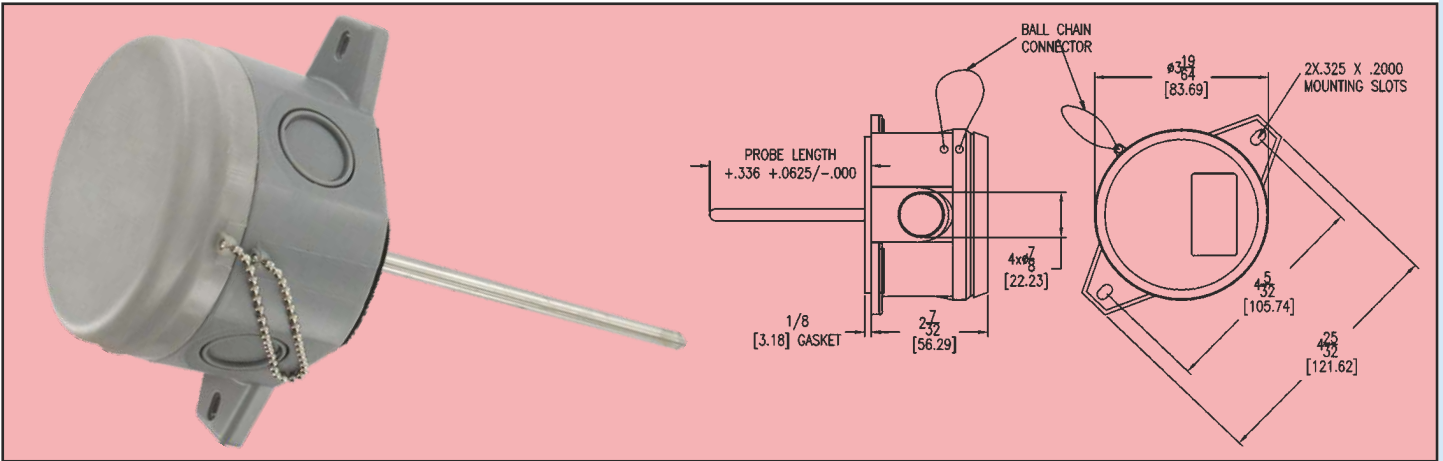


Duct Mount / Immersion Type Temperature Transmitter

Series TTD / TTI



Applications:

TTD/TTI Series Duct Mount temperature transmitters are designed for environmental monitoring and controlling in industrial and commercial buildings. These transmitters can be used for indoor air temperature monitoring in various industrial plant, clean room, lab, machine room, office, airport, station, library and stadium etc.

This is the Ordering Table.

Series	TTD			Duct Mount
	TTI			Immersion Type
Output		1		4-20 mA
		2		0-10VDC
Probe Length			25	2.5"
			04	4"
			06	6"
			08	8"

Eg : TTD - 125

Specification:

Temperature Sensor: Pt1000 RTD.
 Range: -40 to 60°C.
 Temperature Limits: -40 to 60°C.
 Accuracy: ±0.5°C @ 25°C.
 Thermal Effect: ±0.01%/°C.
 Response Time: 100 ms.
 Process Connection: ½" NPT (For TTI models only)
 Electrical Connection: Removable terminal block, knocks out for conduit fitting.
 Conduit Connection: ½" NPT
 Probe length: 2.5 to 08" (depending upon configuration)
 Power Requirements: 13 to 36 VDC
 Output Signal: 4 to 20 mA or 0 to 10 VDC (Depending on model)
 Enclosure Rating: NEMA 4X (IP66)
 Agency Approvals: CE

Features

- High performance transmitter, ensure accurate temperature measurement.
- Up to date IC circuit and SMT technology, ensure good long term stability and reliability
- Fast response
- Transmitter output allows for longer wire runs than standard thermistor sensors.