

CHEETNA PUMPS



High Quality High Performance


- SUBMERSIBLE SEWAGE PUMP
- SUBMERSIBLE DEWATERING PUMP
- PORTABLE SUBMERSIBLE PUMP
- SUBMERSIBLE CUTTER PUMP
- GRINDER CUTTER PUMP
- SUBMERSIBLE MUD PUMP



Our Industry Brining Work On Since 1990 —

Established in the year 1990 at Ahmedabad (Gujarat, India), We "Chetna Pumps" are a Sole Proprietorship Firm engaged in manufacturing a wide range of Centrifugal Pump, Sludge Pump, Multistage Pump, Dewatering Pump, Turbine Pump, End Suction Pump, Non Return Valve, Pressure Pump, etc. These products are widely appreciated for their excellent strength, sturdy design and high durability. We provide 100% customers' satisfaction with high quality and on call service. Leading with brand of Chetna Pumps, we made a way to success. Over a 1000 models of variety of pumps and motors and in house facility of production. Shark has flexibility to design and develop customized pump to suite customer requirements. Under the leadership of "Mr. Rajput Pratap Singh" (Owner), we have been continuously progressing in this domain. We are also engaged in providing Pump Maintenance Service.


Certificate



Government of India
Form GST REG-06
[See Rule 10(1)]

Registration Certificate

Registration Number : 24AIRPR0130R1ZS

1. Legal Name	PRATAPBHAI KESHAVSING RAJPUT		
2. Trade Name, if any	CHETNA PUMPS		
3. Constitution of Business	Proprietorship		
4. Address of Principal Place of Business	189, VIJAY INDUSTRIAL ESTATE, OPP BHIKSHUKGRUH, ODHAV, Ahmedabad, Gujarat, 382415		
5. Date of Liability	01/07/2017		
6. Period of Validity	From	01/07/2017	To NA
7. Type of Registration	Regular		
8. Particulars of Approving Authority	Signature Signature Not Verified Digitally signed by 24 AIRPR0130R1ZS, GOODS AND SERVICES TAX NETWORK 1 Date: 2018.07.06 10:54:56 IST		
Name			
Designation			
Jurisdictional Office			
9. Date of issue of Certificate	06/07/2018		

Note: The registration certificate is required to be prominently displayed at all places of business in the State.

This is a system generated digitally signed Registration Certificate issued based on the deemed approval of application on 01/07/2017 .

Features —

Motor	Two Pole Construction Duty Squirrel Cage Submersible Type Induction Motor
Insulation Class	F
Protection	IP – 68 / Thermal Over Load / Moisture
Cable	Oil Proof PVC Insulated Double Sheathed Copper Conductor Flexible Cable
Range	1 HP to 50 HP
RPM	2800
Size	2 inch to 6 inch
Connection	DoL or Star Delta

Material of Construction —

Motor Body	S.S 202/304 or Aluminium
Cooling Jacket	S.S 202/304 / M.S
Impeller	C.I IS 210 FG260 / S.S 304 / S.S 316
Shaft	S.S 410
Strainer	S.S 202
Mech. Seal	Double type: TC Vs. TC
Bearing	Deep Groove Ball Bearing (Top), Double Row Angular Contact Bearing (Bottom)



CHETNA PUMPS series of dewatering pumps are specially designed for sea water, rain water and construction dewatering. The design of light weight, low maintenance. Vertical construction of pump, bottom suction and top discharge ensure to remove maximum water from pit.



Technical Features —

Motor	Two Pole Construction Duty Squirrel Cage Submersible Type Induction Motor
Insulation Class	F
Protection	IP – 68 / Thermal Over Load / Moisture
Cable	Oil Proof PVC Insulated Double Sheathed Copper Conductor Flexible Cable

Material of Construction —

Motor Body	S.S 202/304 or Aluminium
Cooling Jacket	S.S 202/304 / M.S
Impeller	C.I IS 210 FG260 / S.S 304 / S.S 316
Shaft	S.S 431
Strainer	S.S 304
Mech. Seal	Double type: TC Vs. TC
Bearing	Deep Groove Ball Bearing (Top), Double Row Angular Contact Bearing (Bottom)

APPLICATIONS

Building and construction dewatering • Storm water • Sea Water • Canal • River bed/Dry dock/ Off shore



FEATURES

Stainless Steel Diffusers & Impellers
Stainless Steel Shaft
Ceramic & Graphite Mechanical Seal

Precisely Designed Winding

Thermal-cut out relay

Insulation Class F
Protection IP 44

Improved Vertical tank with
Pressure switch

BENEEITS

Noiseless, wear resistance
Low Maintenance, extended pump Life

Designed for high start / stop per hour
(75 per hour)

Provides winding Protection

To improve winding insulation
Prevents dust & Spillage of water

Auto ON & OFF..



TECHNICAL DATA

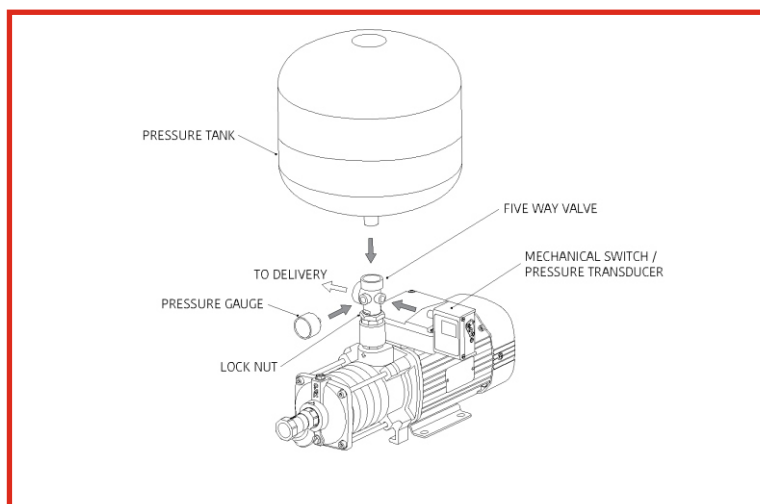


Flow Q	Max 160 lpm
Head H	Max 60 Mtr
Liquid Temp	up to 60 Deg C
Suction Lift	up to 7 Mtr

PERFORMANCE TABLE

Model	Power		Pipe Size	m3/h l/Min	0	1.2	2.4	3.6	4.8	6	7.2	8.4	9.6
	KW	HP			0	20	40	60	80	100	120	140	160
HMP 50	0.37	0.5	1'X1'	Head in Meter	28	20	14	8					
HMP 80	0.60	0.80	1'X1'		30	24	21	17	6				
HMP 100	0.75	1.00	1'X1'		40	34	30	26	16	6			
HMP 150	1.10	1.50	1'X1'		50	40	37	33	29	24	10		
HMP 200	1.50	2.00	1'X1'		60	50	48	43	37	30	24	15	6

INSTALLATION



CHEटना PUMPS



Get in Touch —

 **+91 884 940 1593 | 9426069883**

 **chetnapump8530@yahoo.com**

 **189 Chetna Pums , vijay Industrial Estate,
BhiskGurh Road, G I D C Industrial Area,
Odhav, Ahmedabad, Gujarat 382415, India**