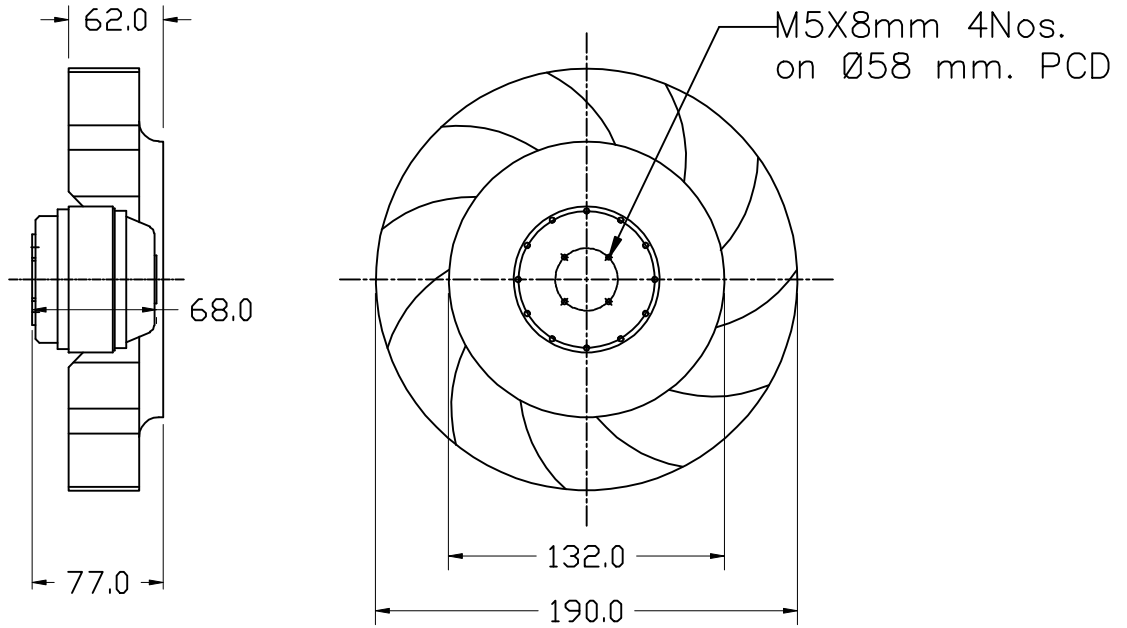




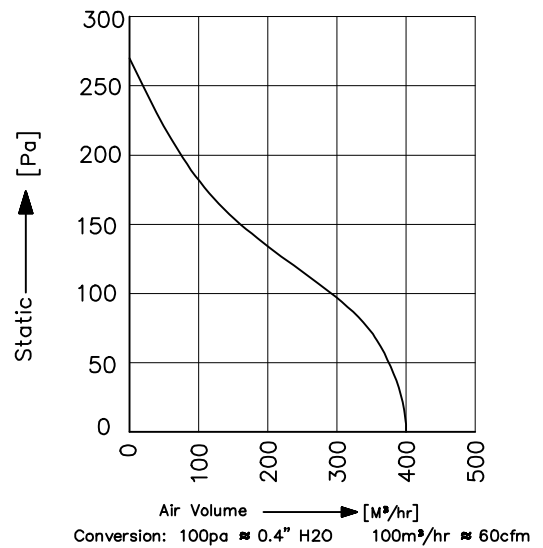
TECHNICAL DATA SHEET



SPECIFICATION (50Hz)

Voltage (V)	230
Watt (W)	47
Amps (A)	0.20
Speed (rpm)	2350
Capacitor (μ F)	1.0
Airflow (m^3/hr)	400
Noise (db)	66
Net Weight (Kg)	1.5

PERFORMANCE CURVE



*Material :

- Impeller: Nylon6,30% Glass Filled
- Rotor: Powder coated

*Type of protection: IP-54

*Insulation Class: "F"- Class

*Bearing: Maintenance free Ball Bearing.

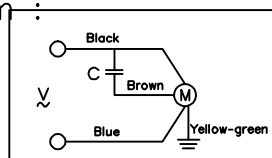
*Permissible ambient temperature: 0 to 60° C

*High Voltage test according to IS: 3588-1987

*Balancing Grade: Fans conform 2.5 Grade as recommended by IS 1940-1973

*Direction of rotation: Clockwise, Seen on rotor

*Wiring Diagram :



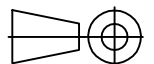
MODEL : BC23/190-28/S1

SCALE: NTS | Page 1 of 1

REV/DATE: 01,29.11.2013

PREPARED BY : J.G.P

CHECKED BY : S.B.D



All information contained in this document is CONFIDENTIAL and the property of VBM. Reproduction of this any form is to be done with the specific permission of the company.

NOTE: ALL DIMENSIONS ARE IN MM.