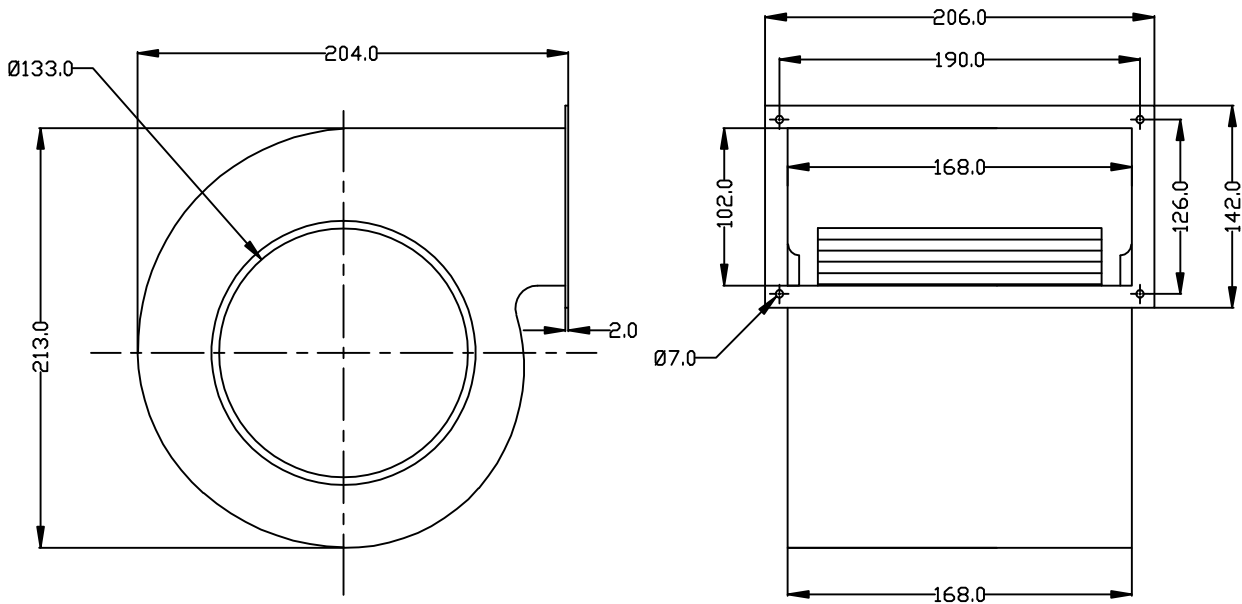




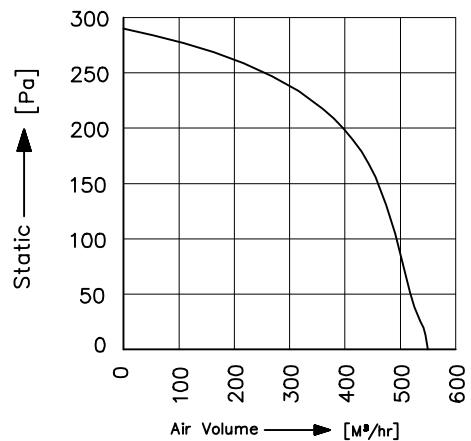
TECHNICAL DATA SHEET



SPECIFICATION (50Hz)

Voltage (V)	230
Watt (W)	92
Amps (A)	0.39
Speed (rpm)	1650
Capacitor (μ F)	2.0
Airflow (m^3/hr)	550
Noise (db)	70
Net Weight (Kg)	3.50

PERFORMANCE CURVE



Conversion: 100pa \approx 0.4" H2O 100m³/hr \approx 60cfm

All information contained in this document is CONFIDENTIAL and the property VBM. Reproduction of this any form is to be done with the specific permission of the company.

*Material :

- Impeller: G.I, Zinc Plated
- Housing: Steel, powder coated
- Rotor: Powder coated

*Type of protection: IP-54

*Insulation Class: "F"- Class

*Bearing: Maintenance free Ball Bearing.

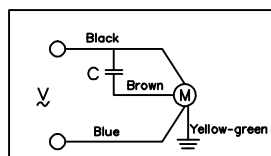
*Permissible ambient temperature: 0 to 60° C

*High Voltage test according to IS: 3588-1987

*Balancing Grade: Fans conform 2.5 Grade as recommended by IS 1940-1973

*Direction of rotation: Clockwise, Seen on rotor

*Wiring Diagram :



NOTE: ALL DIMENSIONS ARE IN MM.

MODEL : DI23/133X120-28/S2

SCALE: NTS | Page 1 of 1

REV/DATE: 01,29.11.2013

PREPARED BY : J.G.P

CHECKED BY : S.B.D

